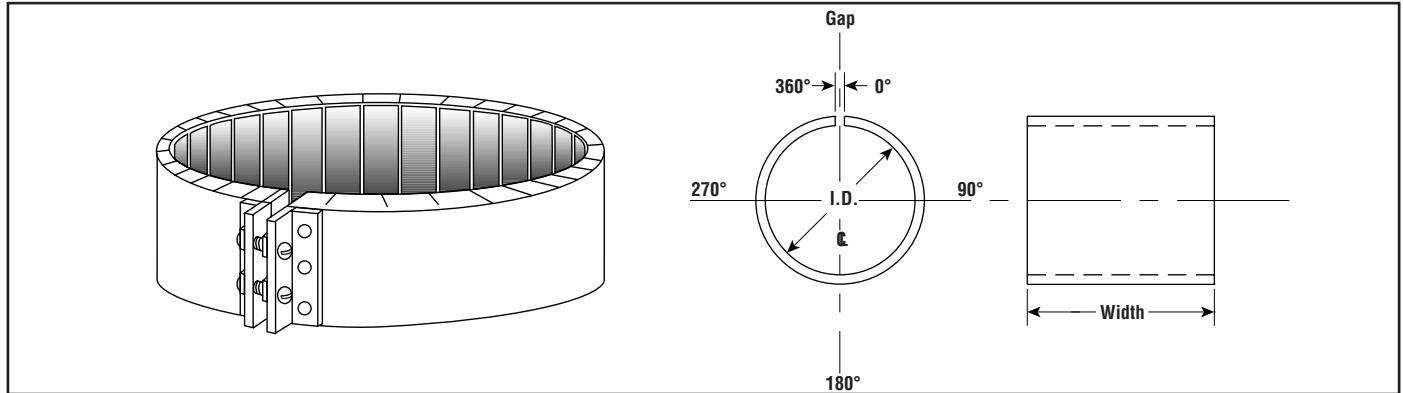


Chromalox®

Specification Data Sheet Ceramic Band Heaters

Form PM302

Customer Name: _____ Reference No.: _____ Date: _____


Note — Drawing Is For Illustration Purposes Only

Operating Conditions

1. APPLICATION (Describe in Detail):
5. TERMINATIONS:

 Post Type: Tandem (T2) Parallel (T3)

 Dual Voltage or 3-Terminal

 Post Style: Standard Button

 Other: Standoff Terminals (SO) 1-PH 2-PH DV

 Europlug (EP) Horiz. Vert.

6. LEAD TYPES: (Single Center Exit)
 Metal Braid (C) Conduit (M) Galvanized S. Stl.

 Ground Wire Rt. Angle Elbow Galv. S. Stl.

 3-PH w/Metal Braid

 3-PH w/Conduit Galvanized S. Stl.

2. HEATED MEDIUM (Specify):
 Gas

 Liquid

 Solid

7. OPTIONS:
 Stainless Steel Sheath

 Terminal Box 2-Term. 3-Term.

 Holes Location ° from gap dia. (in.)

 Notches/Slots (attach drawing)

3. MAXIMUM WORK TEMPERATURE:

°F

4. MAXIMUM WATT DENSITY ALLOWED:

Heater Specifications (Check All That Apply)

1. HEATER DIMENSIONS:

I.D. (in.) Width (in.)

I.D. (mm) Width (mm)

8. ACCESSORIES:
 Ceramic Cover Cust. Stamped P/N

2. RATING:

Volts

Watts

9. ELECTRICAL REQUIREMENTS:
 Chromalox Standards

 Insulation Resistance to be Min. meg.

 Leakage Current to be Max. mA.

 Other (Specify)

3. CONSTRUCTION:
 One Piece Two Piece Partial

 Shell Overlap Liner (Stainless Steel)

 Special Insulation 1/2" 3/4" Thickness

10. AGENCY APPROVALS:
 None UL Component Recognized

 CSA Certified Other (Specify)

4. CLAMPING:
 Bent-up Flange (BF) Built-in Bracket (BB)

 Latch & Trunion (LT)

11. OTHER SPECIAL FEATURES: (attach detailed information)