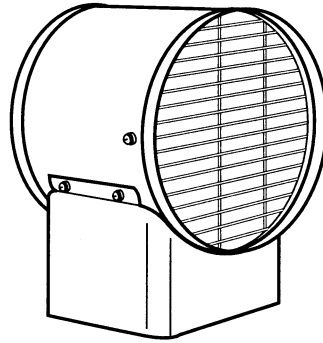




FILE #E7061



SUBMITTAL SHEET UB SERIES FORCED AIR UNIT HEATER

Capacities

2, 3, 5, 7.5, 10, 12.5, 15, 20, kW
120, 208, 240, 480, 550V
1Ø or 3Ø

See Selection Chart
Back Page

JOB NAME: _____

LOCATION: _____

ARCHITECT: _____

ENGINEER: _____

CONTRACTOR: _____

SUBMITTED BY: _____

QUANTITY: _____

DATE: _____

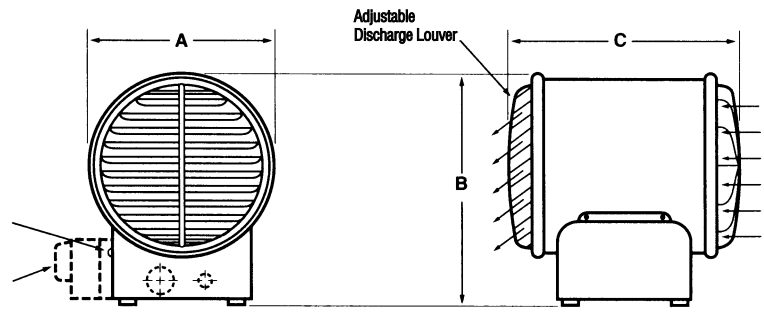
QTY.	CATALOG NUMBER	TAG	HEATER			AMPS	MOTOR VOLTS	MOTOR RPM	AIR FLOW		NO. OF STAGES	BUILT-IN-CONTROLS
			KW	VOLTS	Ø				CFM	°F RISE		

ACCESSORIES
AND
CONTROLS

QTY.	CATALOG NO.	TAG	DESCRIPTION

Dimensions - Inches									
Catalog Number	A	B	C	D	E	F	G	H	J
2-20 kW									
UB-23	10 ³ / ₈	13 ¹ / ₂	8	6 ⁷ / ₁₆	3	11 ³ / ₈	9 ⁷ / ₁₆	6	4
UB-32	10 ³ / ₈	13 ¹ / ₂	8	6 ⁷ / ₁₆	3	11 ³ / ₈	9 ⁷ / ₁₆	6	4
UB-502	13 ³ / ₈	17 ³ / ₈	13	8 ⁷ / ₁₆	7 ³ / ₁₆	15 ⁹ / ₁₆	11 ¹ / ₈	8	6
UB-752	13 ³ / ₈	17 ³ / ₈	13	8 ⁷ / ₁₆	7 ³ / ₁₆	15 ⁹ / ₁₆	11 ¹ / ₈	8	6
UB-1002	17 ¹ / ₈	20 ³ / ₄	15 ³ / ₈	11 ³ / ₄	9 ⁵ / ₁₆	17 ³ / ₃₂	12 ¹ / ₄	10	8
UB-1252	17 ¹ / ₈	20 ³ / ₄	15 ³ / ₈	11 ³ / ₄	9 ⁵ / ₁₆	17 ³ / ₃₂	12 ¹ / ₄	10	8
UB-1502	17 ¹ / ₈	20 ³ / ₄	15 ³ / ₈	11 ³ / ₄	9 ⁵ / ₁₆	17 ³ / ₃₂	12 ¹ / ₄	10	8
UB-2002	17 ¹ / ₈	20 ³ / ₄	15 ³ / ₈	11 ³ / ₄	9 ⁵ / ₁₆	17 ³ / ₃₂	12 ¹ / ₄	10	8

Fan-only operation. UB-23 and UB-32, with the exception of the 120V UB-32, have a separate fan control switch for circulating air during summer months.

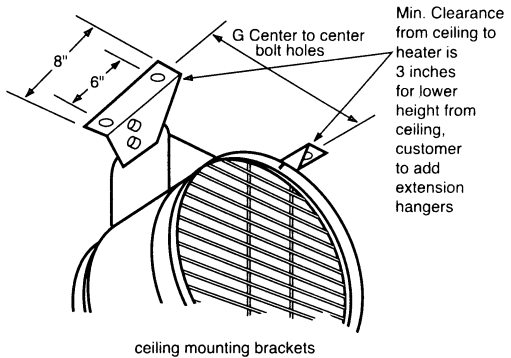
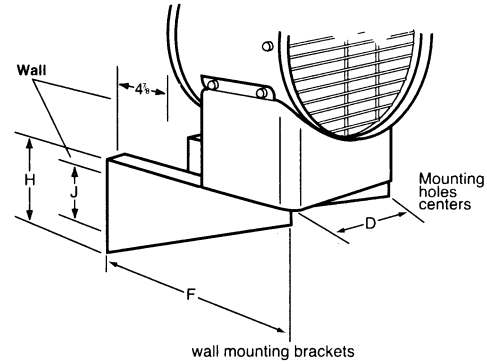


kW	Electrical (60 Hz)			Motor				Air Delivery			Mtg. Height (Ft.)	Model	Wt. lbs.	
	Volts	Phase	Amps	Volts	Phase	HP	RPM	CFM	FPM	Temp. Rise (°F)				Horiz. Throw (Ft.)
2	120	1	16.7	115	1	1/15	1,550	316	657	21	10	8	UB-23	13 ¹ / ₂
2	208	1	9.6	208	1	1/15	1,550	316	657	21	10	8	UB-23	13 ¹ / ₂
2	240	1	8.3	230	1	1/15	1,550	316	657	21	10	8	UB-23	13 ¹ / ₂
3	120	1	25	115	1	1/15	1,550	316	657	31	10	8	UB-32	13 ¹ / ₂
3	208	1	14.4	208	1	1/15	1,550	316	657	31	10	8	UB-32	13 ¹ / ₂
3	240	1	12.5	230	1	1/15	1,550	316	657	31	10	8	UB-32	13 ¹ / ₂
5	120	1	41.7	115	1	1/15	1,050	405	430	40	12 ¹ / ₂	8	UB-502	43
5	208	1	24	208	1	1/15	1,050	405	430	40	12 ¹ / ₂	8	UB-502	43
5	240	1	20.8	230	1	1/15	1,050	405	430	40	12 ¹ / ₂	8	UB-502	43
5	550*	3	5.3	230	1	1/15	1,050	405	430	40	12 ¹ / ₂	8	UB-502	43
5	240	1	20.8	230	1	1/15	1,050	405	430	40	12 ¹ / ₂	8	UB-502R	43
5	550*	3	5.3	115	1	1/15	1,050	405	430	40	12 ¹ / ₂	8	UB-502	43
5	208	3	13.9	208	1	1/15	1,050	405	430	40	12 ¹ / ₂	8	UB-502	43
5	240	3	12	230	1	1/15	1,050	405	430	40	12 ¹ / ₂	8	UB-502	43
5	240	3	12	230	1	1/15	1,050	405	430	40	12 ¹ / ₂	8	UB-502R	43
5	480	1	10.4	115	1	1/15	1,050	405	430	40	12 ¹ / ₂	8	UB-502	43
5	480	1	10.4	230	1	1/15	1,050	405	430	40	12 ¹ / ₂	8	UB-502	43
5	480	3	6	115	1	1/15	1,050	405	430	40	12 ¹ / ₂	8	UB-502	43
5	480	3	6	115	1	1/15	1,050	405	430	40	12 ¹ / ₂	8	UB-502T	51
5	480	3	6	230	1	1/15	1,050	430	430	40	12 ¹ / ₂	8	UB-502	43
5	480	3	6	115	1	1/15	1,050	405	430	40	12 ¹ / ₂	8	UB-502R	43
5	480	3	6	230	1	1/15	1,050	405	430	40	12 ¹ / ₂	8	UB-502T	51
7.5	208	1	36.1	208	1	1/15	1,050	590	640	37	13	8	UB-752	43
7.5	208	3	20.8	208	1	1/15	1,050	590	640	37	13	8	UB-752	43
7.5	240	1	31.3	230	1	1/15	1,050	590	640	37	13	8	UB-752	43
7.5	240	3	18.1	230	1	1/15	1,050	590	640	37	13	8	UB-752	43
7.5	240	3	18.1	230	1	1/15	1,050	590	640	37	13	8	UB-752R	43
7.5	480	1	15.6	115	1	1/15	1,050	590	640	37	13	8	UB-752	43
7.5	480	1	15.6	230	1	1/15	1,050	590	640	37	13	8	UB-752	43
7.5	480	3	9	115	1	1/15	1,050	590	640	37	13	8	UB-752	43
7.5	480	3	9	230	1	1/15	1,050	590	640	37	13	8	UB-752	43
7.5	480	3	9	230	1	1/15	1,050	590	640	37	13	8	UB-752R	43
7.5	480	3	9	115	1	1/15	1,050	590	640	37	13	8	UB-752T	51
7.5	480	3	9	115	1	1/15	1,050	590	640	37	13	8	UB-752R	43
7.5	480	3	9	230	1	1/15	1,050	590	640	37	13	8	UB-752T	51
7.5	550*	3	7.9	115	1	1/15	1,050	590	640	37	13	8	UB-752	43
7.5	550	3	7.9	230	1	1/15	1,050	590	640	37	13	8	UB-752	43
10	208*	1	48.1	208	1	1/15	1,050	1180	800	28	40	9	UB-1002	48
10	208	3	27.8	208	1	1/15	1,050	1180	800	28	40	9	UB-1002	48
10	240	1	41.7	230	1	1/15	1,050	1180	800	28	40	9	UB-1002	48
10	240	3	24.1	230	1	1/15	1,050	1180	800	28	40	9	UB-1002	48
10	480	1	20.1	115	1	1/15	1,050	1180	800	28	40	9	UB-1002	48
10	480	3	12	115	1	1/15	1,050	1180	800	28	40	9	UB-1002	48
10	480	1	20.8	230	1	1/15	1,050	1180	800	28	40	9	UB-1002	48
10	550*	3	10.5	115	1	1/15	1,050	1180	800	28	40	9	UB-1002	48
10	480	3	12	230	1	1/15	1,050	1180	800	28	40	9	UB-1002	48
10	550*	3	10.5	230	1	1/15	1,050	1180	800	28	40	9	UB-1002	48
10	480	3	12	115	1	1/15	1,050	1180	800	28	40	9	UB-1002T	56
10	480	3	12	230	1	1/15	1,050	1180	800	28	40	9	UB-1002T	56
12.5	208	3	34.7	208	1	1/15	1,050	1180	800	36	40	10	UB-1252	48
12.5	240*	1	52.1	230	1	1/15	1,050	1180	800	36	40	10	UB-1252	48
12.5	240	3	30.1	230	1	1/15	1,050	1180	800	36	40	10	UB-1252	48
12.5	480	1	26	115	1	1/15	1,050	1180	800	36	40	10	UB-1252	48
12.5	480	1	26	230	1	1/15	1,050	1180	800	36	40	10	UB-1252	48
12.5	480	3	15.1	115	1	1/15	1,050	1180	800	36	40	10	UB-1252	48
12.5	480	3	15.1	230	1	1/15	1,050	1180	800	36	40	10	UB-1252	48
15	208	3	41.7	208	1	1/15	1,050	1330	900	32	45	10	UB-1502	52
15	240*	1	62.5	230	1	1/15	1,050	1330	900	32	45	10	UB-1502	52
15	240	3	36.1	230	1	1/15	1,050	1330	900	32	45	10	UB-1502	52
15	480	1	31.3	115	1	1/15	1,050	1330	900	32	45	10	UB-1502	52
15	480	1	31.3	230	1	1/15	1,050	1330	900	32	45	10	UB-1502	52
15	480	3	18.1	115	1	1/15	1,050	1330	900	32	45	10	UB-1502	52
15	480	3	18.1	230	1	1/15	1,050	1330	900	32	45	10	UB-1502	52
15	480	3	18.1	115	1	1/15	1,050	1330	900	32	45	10	UB-1252T	60
15	550*	3	15.8	115	1	1/15	1,050	1330	900	32	45	10	UB-1502	52
19.9	240	3	47.9	230	1	1/15	1,050	1330	900	42	45	11	UB-2002	52
20	480	1	41.7	115	1	1/15	1,050	1330	900	42	45	11	UB-2002	52
20	480	1	41.7	230	1	1/15	1,050	1330	900	42	45	11	UB-2002	52
20	480	3	24.1	115	1	1/15	1,050	1330	900	42	45	11	UB-2002	52
20	480	3	24.1	230	1	1/15	1,050	1330	900	42	45	11	UB-2002	52
20	480	3	24.1	115	1	1/15	1,050	1330	900	42	45	11	UB-2002T	60
20	550*	3	21	115	1	1/15	1,050	1330	900	42	45	11	UB-2002	52

* UL Listed

Catalog Number	
Wall Mounting brackets, 2-20 kW packed and priced separately	
UB-23 and -32	WUB-1
UB-502 and -752	WUB-3
UB-1002, -1252, -1502 and -2002	WUB-4

Catalog Number	
Wall Mounting brackets, 2-20 kW packed and priced separately	
UB-23 and -32	1-44419
UB-502 and -752	2-44419
UB-1002, -1252, -1502 and -2002	3-44419



ARCHITECTURAL ENGINEER SUGGESTED SPECIFICATIONS

Construction

Cabinet to be fabricated with 16-gauge steel supported with an 18 gauge steel base assembly.

Color

Color shall be Almond.

Finish

Painted finish shall be the polyester powder coat process.

Heating Element

The heating elements are to be metal sheath Fintube®. Heat radiation fins are to be continuous furnace brazed to the tubular elements to assure superior heat transfer.

Fan and Motor

All motors are to be resilient mounted and have built-in automatic reset thermal overload protection. The fan blade to be dynamically balanced to provide a high volume of hot air.

Thermal Protection

An integral automatic reset thermal cutout shall be supplied for fast heat response and overheat protection.