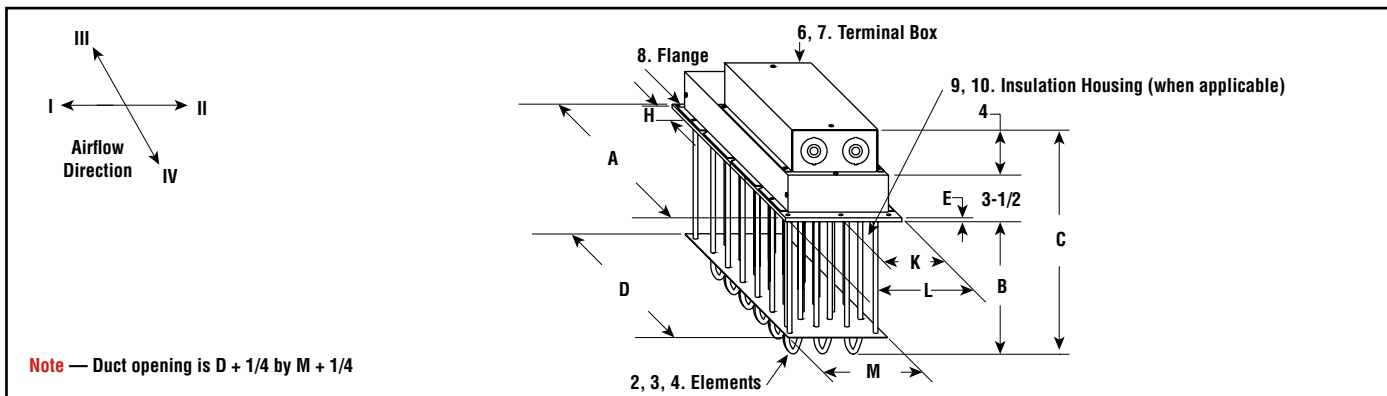


Chromalox®

Specification Data Sheet Tubular Air Duct Heaters

Form PF303

Customer Name: _____ Reference: _____ Date: _____



Note — Drawing Is For Illustration Purposes Only.

Operating Conditions

1. APPLICATION (Describe in Detail):	5. TERMINAL SEALS: <input type="checkbox"/> None (Standard) <input type="checkbox"/> Silicone Fluid (500°F) <input type="checkbox"/> Silicone Resin (450°F) <input type="checkbox"/> RTV (450°F) <input type="checkbox"/> Epoxy (250°F) <input type="checkbox"/> Other (<i>Specify</i>)
2. AIR FLOW:	6. TERMINAL BOX CONSTRUCTION: <input type="checkbox"/> General Purpose (Standard) <input type="checkbox"/> Moisture Resistant <input type="checkbox"/> Explosion Resistant
3. INLET AIR TEMPERATURE: _____ °F	7. TERMINAL BOX MATERIAL: <input type="checkbox"/> Aluminized Steel (Standard) <input type="checkbox"/> 304 Stainless Steel <input type="checkbox"/> 316 Stainless Steel <input type="checkbox"/> Other (<i>Specify</i>)
4. OUTLET AIR TEMPERATURE: _____ °F	8. FLANGE MATERIAL: <input type="checkbox"/> Steel (Std.) <input type="checkbox"/> 304 Stainless Steel <input type="checkbox"/> 316 Stainless Steel
5. OPERATING PRESSURE: _____ psig.	9. INSULATION HOUSING: (Below Flange): <input type="checkbox"/> Yes <input type="checkbox"/> No <input type="checkbox"/> Height: _____ in. (3-5/8" Std.)
6. <input type="checkbox"/> Indoor <input type="checkbox"/> Outdoor	10. INSULATION HOUSING: <input type="checkbox"/> 304 Stainless Steel (Std.) <input type="checkbox"/> 316 Stainless Steel <input type="checkbox"/> Other (<i>Specify</i>)
7. DUCT DIMENSIONS: L _____ W _____	11. OVERHEAT THERMOCOUPLE WELDED TO SHEATH: <input type="checkbox"/> Type J <input type="checkbox"/> Type K <input type="checkbox"/> Other (<i>Specify</i>)
8. AIR FLOW DIRECTION: <input type="checkbox"/> I <input type="checkbox"/> II <input type="checkbox"/> III <input type="checkbox"/> IV	12. HEATER DIMENSION (Inches): A _____ B _____ C _____ D _____ E _____ H _____ K _____ L _____ M _____
10. AMBIENT TEMPERATURE: _____ °F	13. AGENCY APPROVALS: <input type="checkbox"/> None <input type="checkbox"/> U.L. Component Recognized (Standard) <input type="checkbox"/> C.S.A. Certified (Standard) <input type="checkbox"/> Other (<i>Specify</i>)

Heater Specifications (Check All That Apply)

1. RATING: Volts _____ Phase _____ Kilowatts _____ No. of Electrical Circuits: <input type="checkbox"/> Standard <input type="checkbox"/> Other: No. Circuits: _____ kW/Circuits: _____	
2. HEATING ELEMENTS: <input type="checkbox"/> Tubular (Std.) <input type="checkbox"/> Finned Tubular	14. OTHER SPECIAL FEATURES:
3. HEATING ELEMENT SHEATH MATERIAL: Tubular: <input type="checkbox"/> INCOLOY® (Standard) <input type="checkbox"/> 304 Stainless Steel <input type="checkbox"/> 316 Stainless Steel <input type="checkbox"/> Other (<i>Specify</i>) Finned Tubular: <input type="checkbox"/> Steel <input type="checkbox"/> Ceramic-Coated Steel <input type="checkbox"/> MONEL® <input type="checkbox"/> 304 Stainless Steel <input type="checkbox"/> Other (<i>Specify</i>)	17. MODEL NO.:
4. HEATING ELEMENT WATT DENSITY: <input type="checkbox"/> 20 W/In ² <input type="checkbox"/> 22 W/In ² <input type="checkbox"/> 30 W/In ² <input type="checkbox"/> Other (<i>Specify</i>)	