



ChromaMelt 3
ChromaMelt 3C
ChromaMelt 5
Wiring options

ChromaMelt series - Wiring options

	SUPPLY	LOADS	Notes	Drawing	Page
ChromaMelt 3	1Px120V	120V,4x30A		1	3
	1Px240V	240V,4x30A			
ChromaMelt 3C	3Px208V	208V,2x50A + 208V,30A	Option 1: 1 heater per contactors C1, C2 and C5	2	4
	3Px347V	347V,2x50A			
	3Px480V	480V,2x50A			
	3Px600V	600V,2x50A			
	3Px208V	208V,6x50A	Option 2: 3 heaters per contactors C1-C2 (triangle) 1 heater per contactor C5	3	
	3Px347V	347V,6x50A			
	3Px480V	480V,6x50A			
	3Px600V	600V,6x50A			
	3Px208V + N	208V,2x50A + 120V,30A	Option 1: 1 heater per contactors C1, C2 and C5 (Neutral connected to C5)	4	5
	3Px347V + N	347V,2x50A + 200V,30A			
	3Px480V + N	480V,2x50A + 277V,30A			
	3Px600V + N	600V,2x50A			
	3Px208V	208V,6x50A + 120V,30A	Option 2: 3 heaters per contactors C1-C2 (triangle) 1 heater per contactor C5	5	
	3Px347V	347V,6x50A + 200V,30A			
3Px480V	480V,6x50A + 277V,30A				
3Px600V	600V,6x50A				
3Px208V + N	120V,2x50A + 120V,30A	Option 3: 1 heater per contactors C1, C2 and C5 (Neutral connected to all contactors)	6	6	
3Px347V + N	200V,2x50A + 200V,30A				
3Px480V + N	277V,2x50A + 277V,30A				
3Px600V + N	347V,2x50A				
ChromaMelt 5	3Px208V	208V,4x50A + 208V,30A	Option 1: 1 heater per contactors C1-C5	7	7
	3Px347V	347V,4x50A			
	3Px480V	480V,4x50A			
	3Px600V	600V,4x50A			
	3Px208V	208V,12x50A + 208V,30A	Option 2: 3 heaters per contactors C1-C4 (triangle) 1 heater per contactor C5	8	
	3Px347V	347V,12x50A			
	3Px480V	480V,12x50A			
	3Px600V	600V,12x50A			
	3Px208V + N	208V,4x50A + 120V,30A	Option 1: 1 heater per contactors C1-C5	9	8
	3Px347V + N	347V,4x50A + 200V,30A			
	3Px480V + N	480V,4x50A + 277V,30A			
	3Px600V + N	600V,4x50A			
	3Px208V + N	208V,12x50A + 120V,30A	Option 2: 3 heaters per contactors C1-C4 (triangle) 1 heater per contactor C5	10	
	3Px347V + N	347V,12x50A + 200V,30A			
3Px480V + N	480V,12x50A + 277V,30A				
3Px600V + N	600V,12x50A				
3Px208V + N	120V,4x50A + 120V,30A	Option 3: 1 heater per contactors C1-C5 (Neutral connected to all contactors)	11	9	
3Px347V + N	200V,4x50A + 200Vx30A				
3Px480V + N	277V,4x50A + 277V,30A				
3Px600V + N	347V,4x50A				

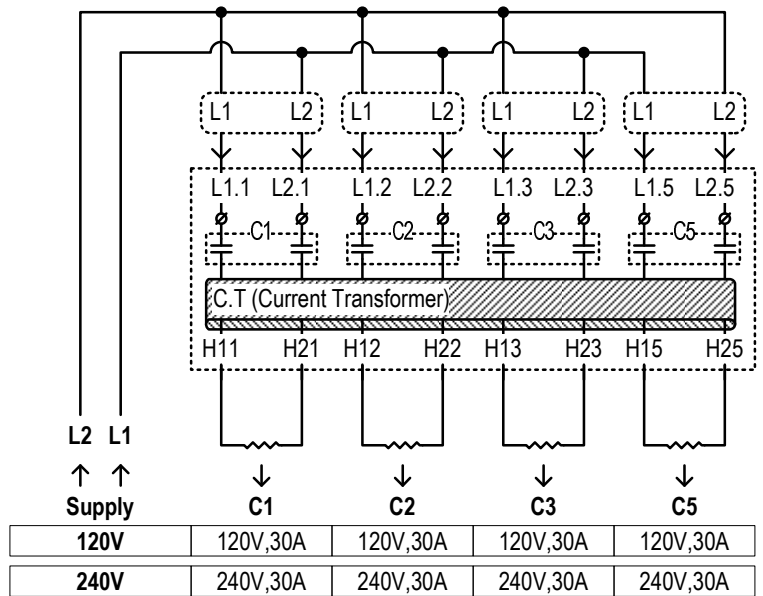
ChromaMelt 3/3C/5

Wiring options



1-800-443-2640

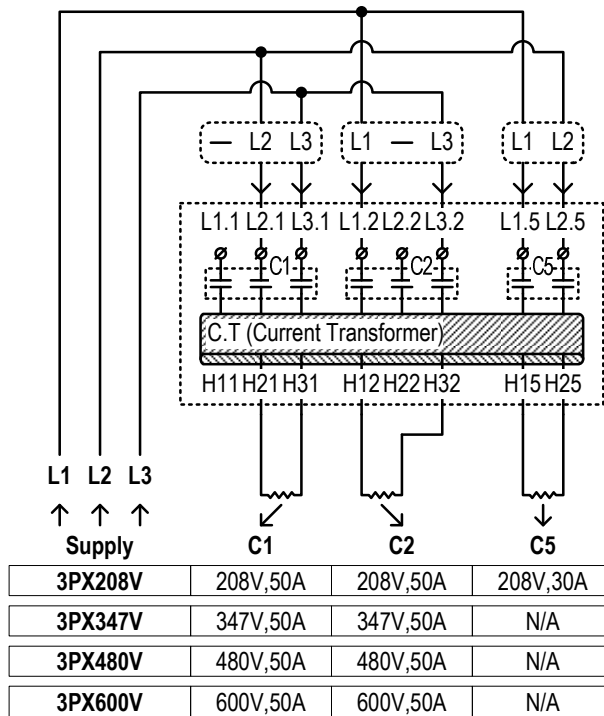
www.chromalox.com



ChromaMelt 3C

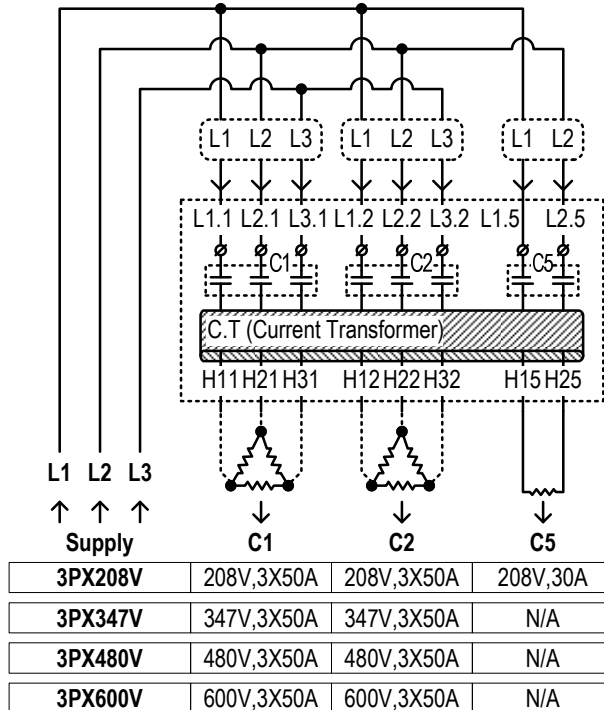
Option 1: 1 heater per contactors C1, C2 and C5

2



Option 2: 3 heaters per contactors C1 and C2 (triangle transform) and 1 heater per contactor C5

3



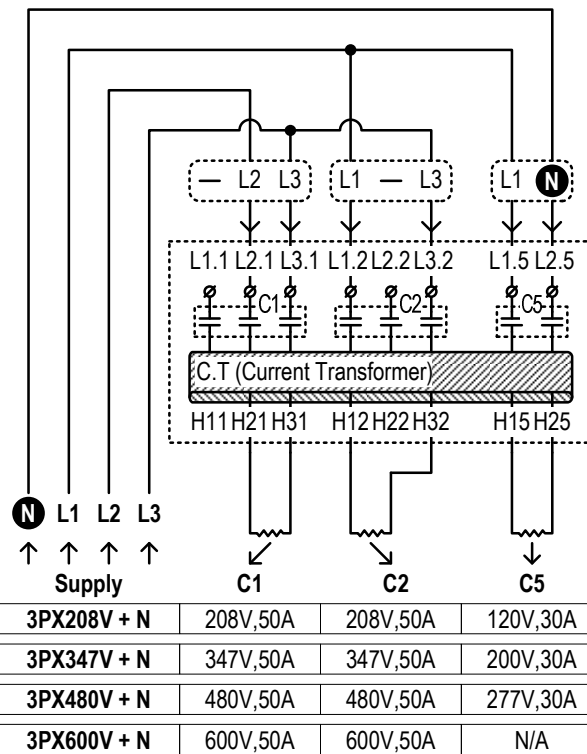
Note: Contactors 1 and 2 can be connected to any combination of 1 or 3 (triangle transform) heaters.

Example: Contactor C1 can be connected to 3 heaters (triangle transform) and contactor C2 can be connected to 1 heater.

ChromaMelt 3C – SUPPLY 3P with Neutral connected to C5

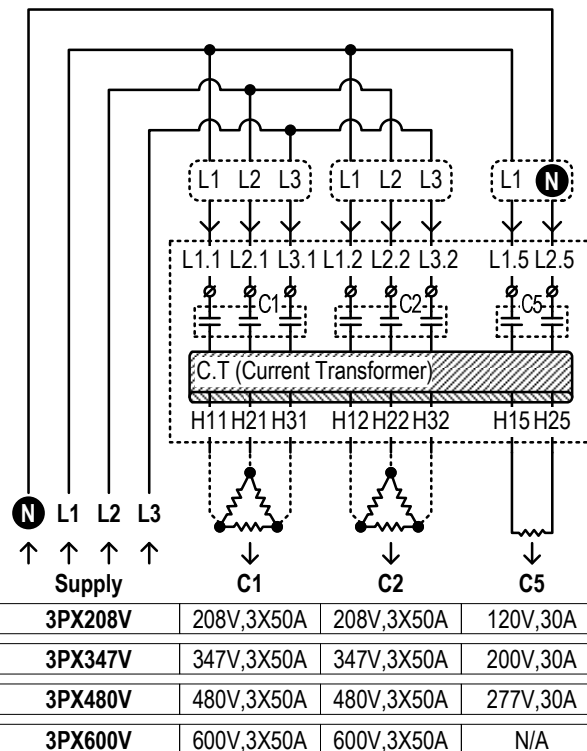
Option 1: 1 heater per contactors C1, C2 and C5 (Neutral connected to C5)

4



Option 2: 3 heaters per contactors C1 and C2 (triangle transform) and 1 heater per contactor C5

5

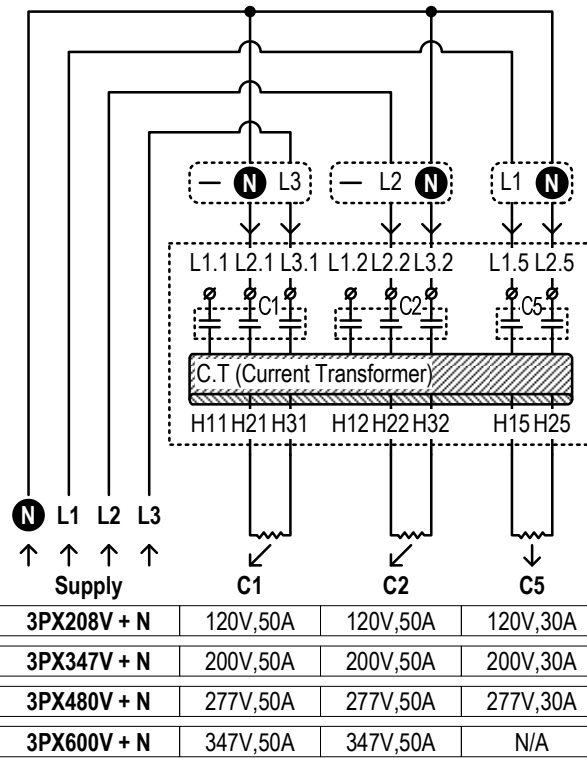


Note: Contactors 1 and 2 can be connected to any combination of 1 or 3 (triangle transform) heaters with and without Neutral.
Example: Contactor C1 connected to 3 heaters (triangle transform) and contactor C2 connected to 1 heater.

ChromaMelt 3C – SUPPLY 3P with Neutral connected to all contactors

Option 3: 1 heater per contactors C1, C2 and C5 (Neutral connected to C1, C2 and C5)

6

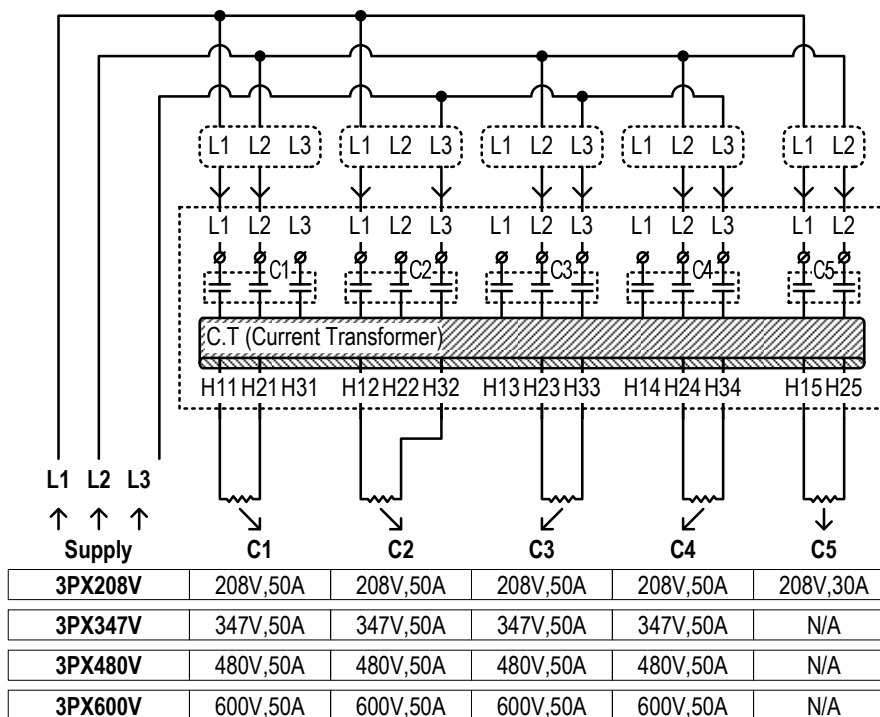


Note: Contactors 1 and 2 can be connected to any combination of 1 or 3 (triangle transform) heaters with and without Neutral.
Example: Contactor C1 connected to 3 heaters (triangle transform) and contactor C2 connected to 1 heater.

ChromaMelt 5 – SUPPLY 3P without Neutral

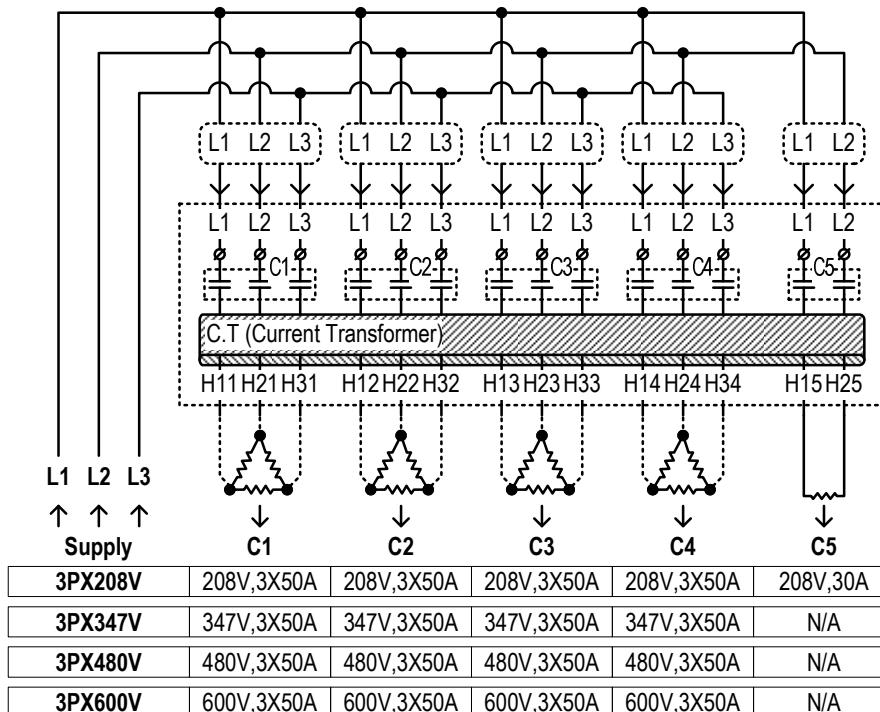
Option 1: 1 heater per contactors C1, C2, C3, C4 and C5

7



Option 2: 3 heaters per contactors C1, C2, C3 and C4 (triangle transform) and 1 heater per contactor C5

8



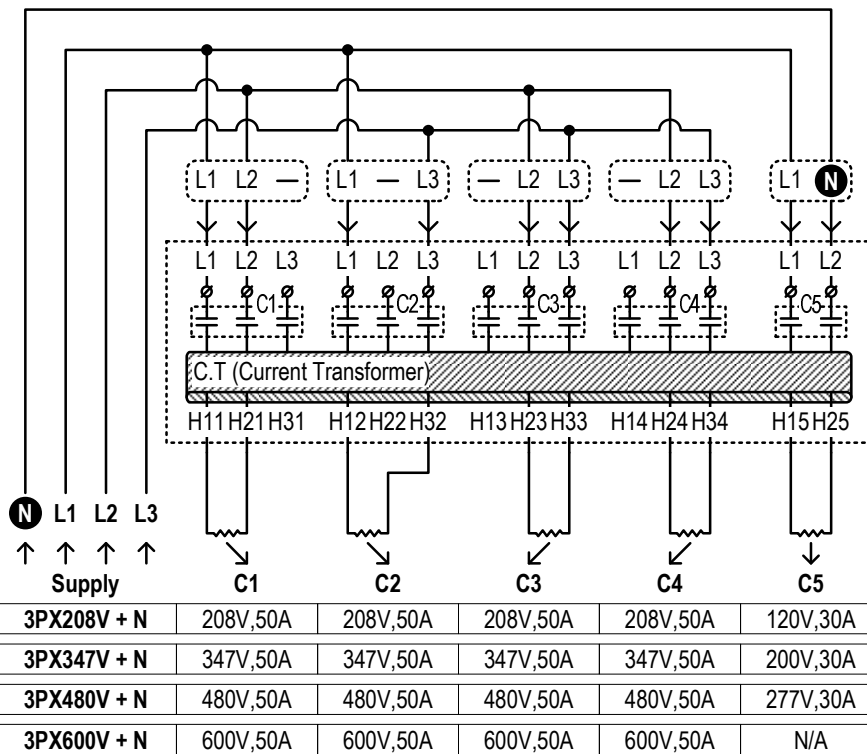
Note: Contactors 1 and 2 can be connected to any combination of 1 or 3 (triangle transform) heaters.

Example: Contactor C1 can be connected to 3 heaters (triangle transform) and contactor C2 can be connected to 1 heater.

ChromaMelt 5 – SUPPLY 3P with Neutral connected to C5

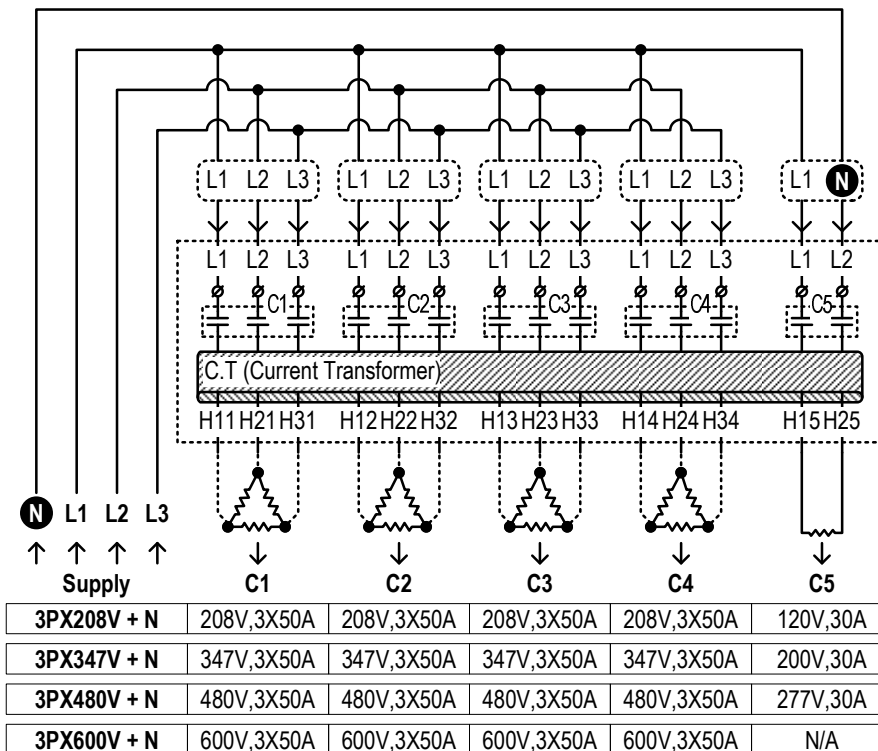
Option 1: 1 heater per contactors C1, C2, C3, C4 and C5

9



Option 2: 3 heaters per contactors C1, C2, C3 and C4 (triangle transform) and 1 heater per contactor C5

10

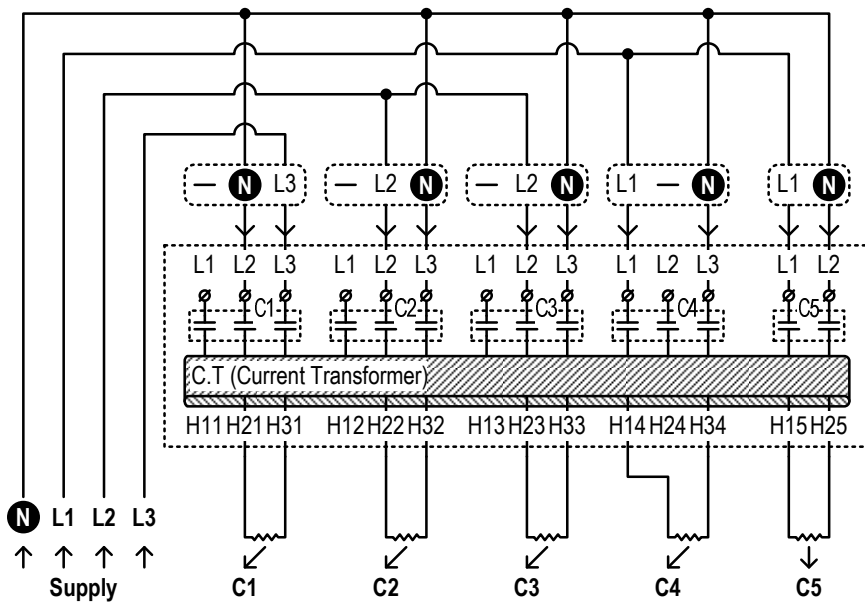


Cont' →

ChromaMelt 5 – SUPPLY 3P with Neutral connected to all contactors

Option 3: 1 heater per contactors C1, C2, C3 and C4 and C5 (Neutral connected to C1, C2, C3, C4 and C5)

11



3PX208V + N	120V,50A	120V,50A	120V,50A	120V,50A	120V,30A
3PX347V + N	200V,50A	200V,50A	200V,50A	200V,50A	200V,30A
3PX480V + N	277V,50A	277V,50A	277V,50A	277V,50A	277V,30A
3PX600V + N	347V,50A	347V,50A	347V,50A	347V,50A	N/A

Note: Contactors 1,2,3 and 4 can be connected to any combination of 1 or 3 (triangle transform) heaters with and without Neutral.
Example: Contactor C1,C2 and C3 connected to 3 heaters (triangle transform) and contactor C2 connected to 1 heater.

 **CHROMALOX**
1-800-443-2640
www.chromalox.com