

# 4001 Triac

## DIN-Rail Mount, Single Phase Power Controller

- Single Phase Loads up to 18 Amps, 240 Vac
- 4-35 Vdc Input Signal
- Easy DIN-Rail or Sub-Panel Installation
- Size Compatible for Easy Replacement of Mercury Displacement Relays
- Zero-Crossover Switching to Minimize RFI and EMI
- Front Access Terminals for Easy Wiring
- LED Indication of SSR ON
- DV/DT Protection



### Description

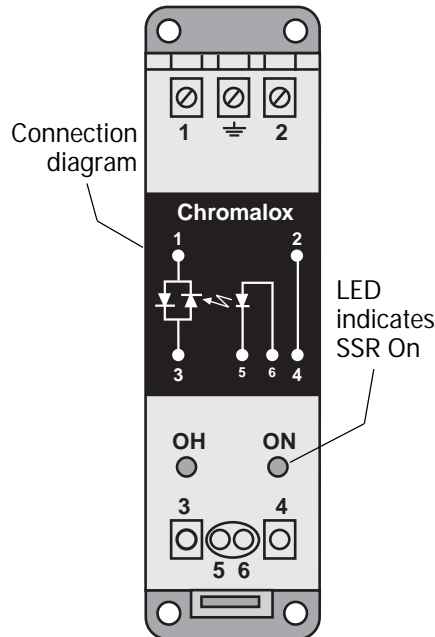
The 4001 solid state power controllers combine Chromalox's years of solid state switching experience with new packaging techniques to deliver reliable and easy to install components. The 4001 Triac series solid state contactors will switch up to 18 Amps single phase up to 240Vac. The Vdc input is compatible with existing SSRs and works with a variety of process controllers.

### Quick, Easy Installation

The 4001 series power controllers are compactly packaged to allow for fast and easy DIN-rail or sub-panel mounting, with wiring terminals easily accessible from the front.

### Electrical and Safety Features

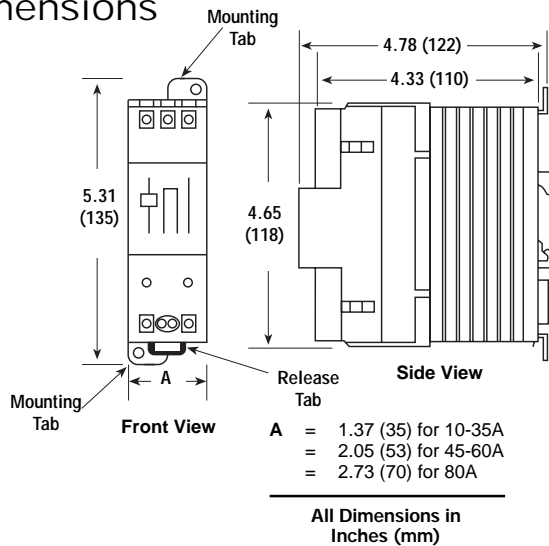
- Ground Potential Heatsink
- Triac to Heatsink Isolation



**Chromalox**<sup>®</sup>  
PRECISION HEAT AND CONTROL

# 4001 Triac DIN-Rail Mount

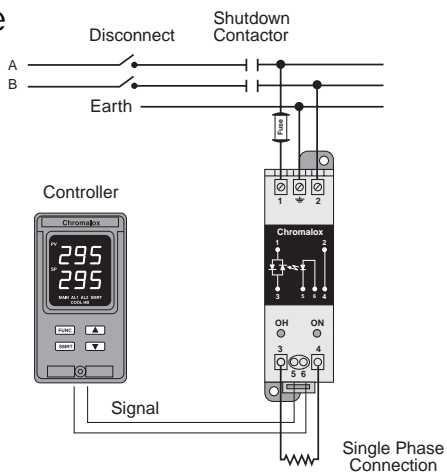
## Dimensions



## Specifications

Mounting .....	Wall or DIN Rail
Terminals .....	Screw terminals with front access
Load Type .....	Resistive
Control Voltage	
Off State .....	0-2Vdc
On State .....	4.5 to 35Vdc
Min. Holding Current .....	50mA RMS
Voltage Drop on Power Semiconductor .....	1.8Vdc
Isolation	
Between Power Circuit and Earth .....	1800V rms
Between Electronics and Power Circuits .....	7500V pk
Operating Temperature .....	32° to 122°F (0°-50°C)
Humidity .....	20% to 85% RH Non-Condensing
Storage Temperature .....	-20° to 70°C

## Single Phase Connection



## Ordering Information

### Model Solid State Power Controller

**4001 Triac** Single Phase, Zero-Crossover Fired Solid State Relay, DIN-Rail or Sub-Panel Mount

### Code Max. Rated Current @ 50°C (Amps)

**12** 12 Amps  
**18** 18 Amps

### Code Voltage PIV (Peak Inverse Voltage)

**3** Up to 240 Vac 800

### Code Input

**7** 4.5 - 35 Vac (15 mA Continuous)

### Code

**0** Add to complete model number

**4001 - 12 3 7 0** Typical Model Number