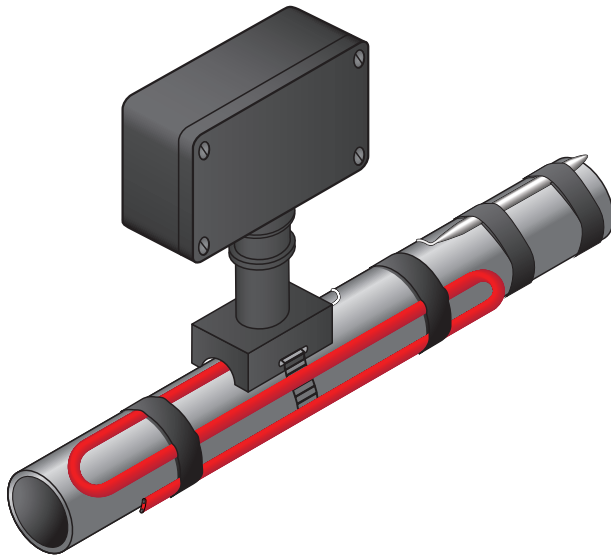


## PRODUCT OVERVIEW



The Chromalox® UBC line sensing thermostat power connection kit is a NEMA 4X rated, single-entry junction box for connecting SRL, SRP, SRM/E, or CWM heating cable in freeze protection, piping process temperature maintenance, or fluid flow and viscosity maintenance applications, to customer supplied power and ambient-air or pipe temperature control output. This kit provide water resistant cable entry for one cable, enclosure support, terminal block, and a water and corrosion resistant wiring enclosure with a 3/4-inch (19 mm) opening to accept a conduit hub (Chromalox CCH-2 or equal) and is approved for use in ordinary areas. The enclosure is molded of durable, high performance polyphenylene sulfide (PPS) thermoplastic that is corrosion-resistant, non-flammable, impact-resistant, resistant to acids and alkalis, resistant to sunlight and abrasion, exhibits high strength and resistance, and provides high-temperature stability. The temperature sensor probes are stainless steel to ensure the integrity of the system. A pipe strap (Chromalox PS Series) is required for a complete installation of this product. A small pipe adapter is available for pipe sizes less than 1½ inch (38 mm).

## DESCRIPTION

This kit provides a junction box with a line sensing temperature assembly, one conduit entry, pipe standoff for above insulation electrical connections.

## KIT CONTENTS

- 1 Molded Junction Box Consisting of:
  - 1 Box with One Conduit Opening
  - 1 DIN Rail
  - 1 Three-Position Terminal Block
  - 1 Cover with 4 Screws
- 1 Compression Fitting
- 1 Washer for Thermostat
- 1 Locknut
- 1 Silicone Termination Boot
- 1 Pipe Standoff
- 1 Tube of RTV
- 1 O-Ring
- 1 Self-Regulating Cable Grommet
- 1 Constant-Wattage Cable Grommet
- 1 Bulb and Capillary Temperature Assembly

## MATERIALS

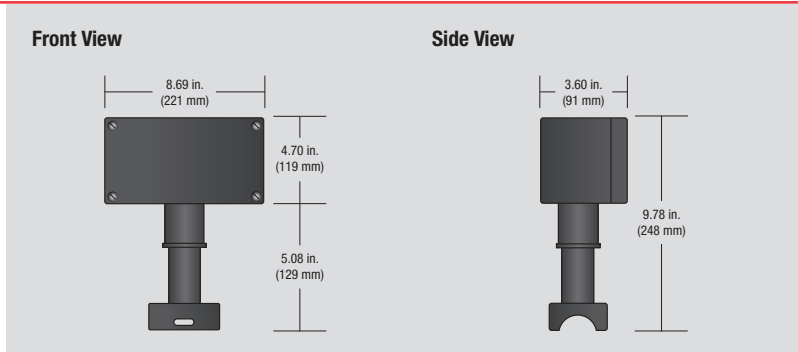
<b>Junction Box, Pipe Standoff</b> .....	Electrostatic-charge-resistant, glass-filled engineered polymer, black
<b>Temperature Probe</b> .....	Stainless Steel
<b>Self-Regulating Cable Grommet</b> .....	Silicone rubber, black
<b>Constant-Wattage Cable Grommet</b> .....	Silicone rubber, orange
<b>Cover Gasket</b> .....	Silicone Rubber, black
<b>Cover Screws (4)</b> .....	Stainless Steel

# UBC LINE SENSING THERMOSTAT POWER CONNECTION

## APPROVALS

- Ordinary Areas Only

## DIMENSIONS



## PRODUCT SPECIFICATIONS

Heating Cable Use .....	SRL, SRP, SRM/E, CWM
Ingress Protection .....	IP66
Entries .....	0.75 in (19 mm)
Operating Temperature Range .....	-40° to 160°F (-40° to 71°C)
Temperature Setpoint .....	0°F to 400°F (-18° to 204°C)
Temperature Assembly Dimensions .....	0.25 in (6.4 mm) diameter 7.25 in (184 mm) long 3 ft (0.91 m) capillary
Switch Rating .....	SPDT, 22A, 120-480V
Conductor Size Range .....	8 - 22 AWG
Maximum Circuit Breaker Rating .....	40 A
Maximum Circuit Breaker Rating .....	4 lb (1.81 kg)

## ORDER DETAILS

Catalog Description .....	UBC Line Sensing Thermostat Power Connection
Part Number .....	UBC: 394011



1347 Heil Quaker Blvd  
LaVergne, TN 37086

TECHNICAL SUPPORT  
412-967-3940

email: [sales@chromalox.com](mailto:sales@chromalox.com)  
[www.chromalox.com](http://www.chromalox.com)

\*press 1 to be directed to heat trace support