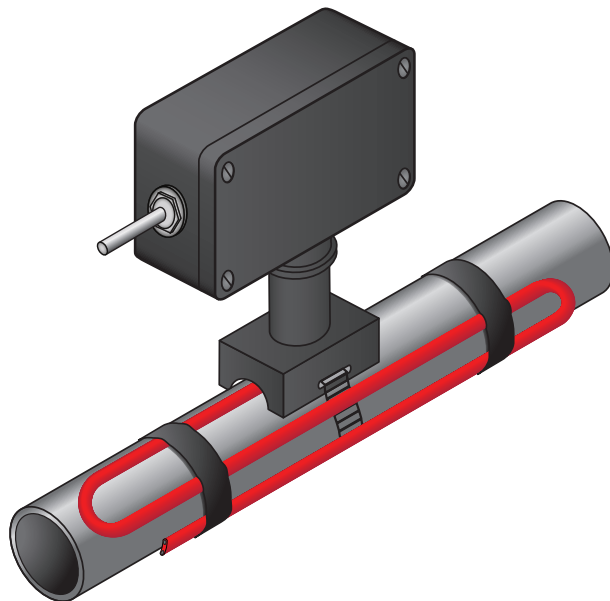


PRODUCT OVERVIEW



The Chromalox® UAS ambient sensing thermostat power connection kit is a NEMA 4X rated, single-entry junction box for connecting SRL, SRP, SRM/E, or CWM heating cable in freeze protection, piping process temperature maintenance, or fluid flow and viscosity maintenance applications, to customer supplied power and ambient-air or pipe temperature control output. This kit provides water resistant cable entry for one cable, enclosure support, terminal block, and a water and corrosion resistant wiring enclosure with a ¾-inch (19 mm) opening to accept a conduit hub (Chromalox CCH-2 or equal) and is approved for use in ordinary areas. The enclosure is molded of durable, high performance polyphenylene sulfide (PPS) thermoplastic that is corrosion-resistant, non-flammable, impact-resistant, resistant to acids and alkalies, resistant to sunlight and abrasion, exhibits high strength and stability, and provides high-temperature stability. The temperature sensor probes are stainless steel to ensure the integrity of the system. A pipe strap (Chromalox PS Series) is required for a complete installation of this product. A small pipe adapter is available for pipe sizes less than 1½ inch (38 mm)

DESCRIPTION

This kit provides a junction box with an ambient sensing temperature assembly, one conduit entry, pipe standoff for above insulation electrical connections.

KIT CONTENTS

- 1 Molded Junction Box Consisting of:
 - 1 Box with Conduit Opening
 - 1 DIN Rail
 - 1 Three-Position Terminal Block
 - 1 Cover with 4 Screws
- 1 Compression Fitting
- 1 Washer for Thermostat
- 1 Locknut
- 1 Silicone Termination Boot
- 1 Pipe Standoff
- 1 Tube of RTV
- 1 O-Ring
- 1 Self-Regulating Cable Grommet
- 1 Constant-Wattage Cable Grommet
- 1 Ambient Sensing Thermostat Assembly

MATERIALS

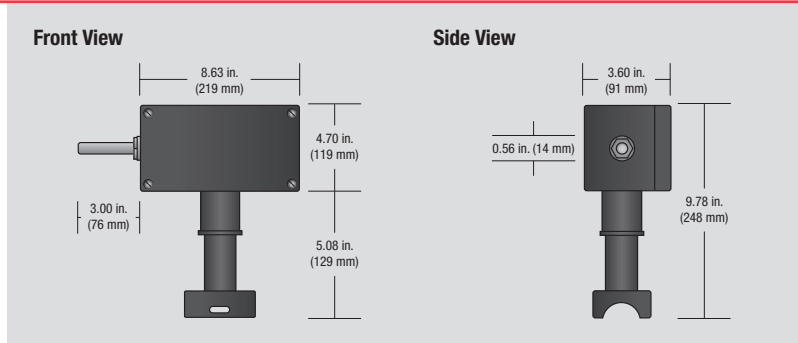
Junction Box, Pipe Standoff	Electrostatic-charge-resistant, glass-filled engineered polymer, black
Temperature Probe	Stainless Steel
Self-Regulating Cable Grommet	Silicone rubber, black
Constant-Wattage Cable Grommet	Silicone rubber, orange
Cover Gasket	Silicone Rubber, black
Cover Screws (4)	Stainless Steel

UAS AMBIENT SENSING THERMOSTAT POWER CONNECTION

APPROVALS

- Ordinary Areas Only

DIMENSIONS



PRODUCT SPECIFICATIONS

Heating Cable Use	SRL, SRP, SRM/E, CWM
Ingress Protection	IP66
Entries	0.75 in (19 mm)
Operating Temperature Range	-40° to 160°F (-40° to 71°C)
Temperature Setpoint	0°F to 225°F (-18° to 107°C)
Temperature Assembly Dimensions	0.562 in (14.3 mm) diameter 3.0" (76.2 mm) long
Switch Rating	SPDT, 22A, 120-480V
Conductor Size Range	8 - 22 AWG
Maximum Circuit Breaker Rating	40 A
Maximum Circuit Breaker Rating	4 lb (1.81 kg)

ORDER DETAILS

Catalog Description	UAS Ambient Sensing Thermostat Power Connection
Part Number	UAS: 394038



1347 Heil Quaker Blvd
LaVergne, TN 37086

TECHNICAL SUPPORT
412-967-3940

email: sales@chromalox.com
www.chromalox.com

*press 1 to be directed to heat trace support