

CPCA

Pick and Ship Power Control Assembly

- Voltage Rating of 480V 3PH
- Up to 75 Amps
- Single Circuit Operation
- Shutdown Capability
- Short Circuit Current Rating is rated to a minimum of 5kA
- NEMA4 or NEMA 4X Offerings
- On/Off or Proportional Control



TIP

Consider pairing with our Pick and Ship Sensor kits which include a process sensor, sensor wire, and a 304SS thermowell with a 3/4" NPT connection, 7-1/2" insertion length, and lagging extension for up to 3" of insulation clearance.

- PSKS-J4SS50-0001 (Type J T/C)
- PSKS-RTD4SS200-0002 (RTD)



CPCA-C1 COMMON FEATURES

- **Electrical Rating** – 480 volts, 3 phase, 1 circuit.
- **Power Terminal Enclosure** – Fiberglass, rated NEMA 4X / IP66, cULus Certification.
- **Power Wiring Conduit Location** – Enclosure can be punch drilled to suit incoming power connection size and location.
- **Power Control Type** – On/Off control utilizing a mechanical contactor, rated up to 40 or 75 amps.
- **Process & Overtemp Controllers** – includes a Chromalox 6040 process and 6050 overtemperature controller, door mounted, for process and overtemperature control.
- **Shutdown Capability** – Main Disconnect Switch
- **Enclosure Heater** – Integral Enclosure Heater allowing for usage in ambient down to -18°C.
- **Mounting Location** – Enclosure is designed for mounting in an environment up to NEMA 4X IP66 rating with a maximum of 40°C and minimum of -18°C ambient, out of direct sunlight.
- **Short Circuit Current Rating** – Assembly is rated for up to 5kA SCCR

CPCA-S1 COMMON FEATURES

- **Electrical Rating** – 480 volts, 3 phase, 1 circuit.
- **Power Terminal Enclosure** – Gray powder coated, rated NEMA 4 / IP66, cULus Certification.
- **Power Wiring Conduit Location** – Enclosure can be punch drilled to suit incoming power connection size and location.
- **Power Control Type** – Full proportional control utilizing a SSR assembly, rated up to 75 amps.
- **Shutdown Capability** – One shutdown contactor is provided for complete power off capability.
- **Optional Shutdown Capability** – Connection is shipped jumpered, and can be reconfigured to accept a customer relay signal for heater operation.
- **Heat Sinks** – External heat sinks are provided for temperature regulation, pre-mounted to the enclosure.
- **Mounting Location** – Enclosure is designed for mounting in an environment up to NEMA 4 IP66 rating with a maximum of 40°C and minimum of 0°C ambient, out of direct sunlight.
- **Short Circuit Current Rating** – Assembly is rated for up to 5kA SCCR

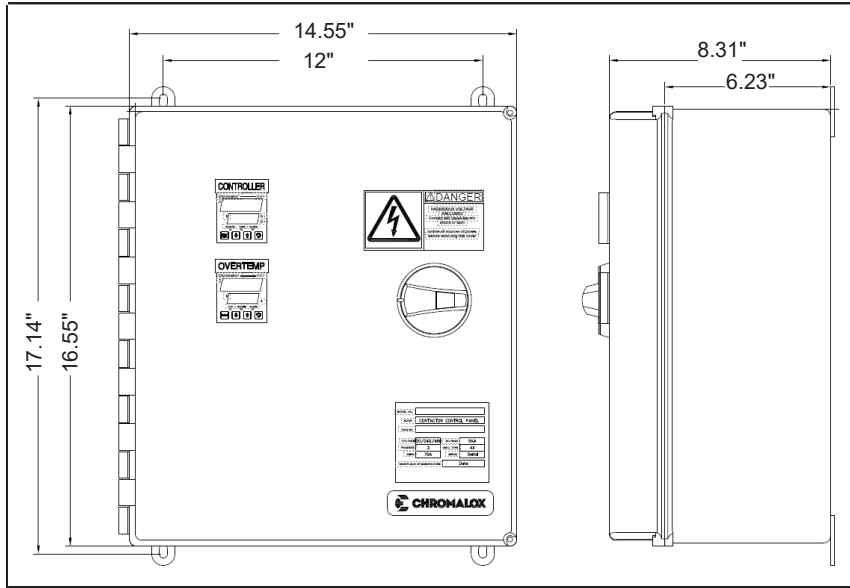
SELECTION TABLE

Model Description	Part Number	Amp Rating	Power Control Type	Process Controller or Input Signal	Overtemperature Controller or Input Signal	Controller Mounting Location
CPCA-C1-40E4X 480V3PH	484111-001	40	On/Off	6040-RRA100	6050-1RA10	Door Mount
CPCA-C1-75E4X 480V3PH	484111-002	75	On/Off	6040-RRA100	6050-1RA10	Door Mount
CPCA-S1-75E4C 480V3PH	484211-001	75	Proportional	Customer Supplied 4-32Vdc	Customer Supplied Relay	N/A
CPCA-S1-75E4H 480V3PH	484211-002	75	Proportional	1020-SR000	1030-1R000	DIN Rail
CPCA-S1-75E4V 480V3PH	484211-003	75	Proportional	6040-SR000	6050-1R000	Door Mount

CPCA

Pick and Ship Power Control Assembly

CPCA-C1 DIMENSIONS(in)



CPCA-S1 DIMENSIONS(in)

