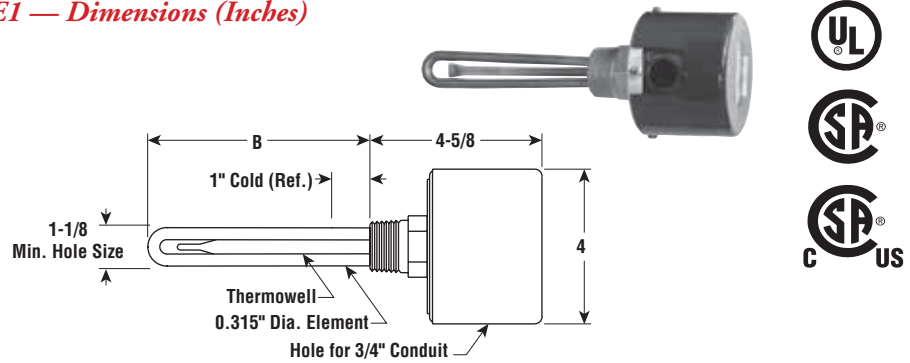


MTS

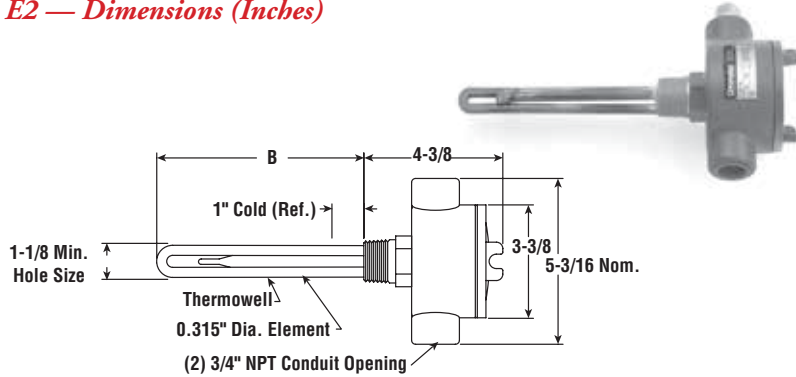
Process Water Applications

- 1" NPT Stainless Steel Passivated Screw Plug
- Stainless Steel Passivated Element
- High Watt Density (64 - 86 W/in²)
- 0.75 - 3 kW
- Without Thermostat
- 120 and 240 Volt, Single Phase
- General Purpose, Moisture Resistant/Explosion Resistant Terminal Enclosure or Moisture Resistant

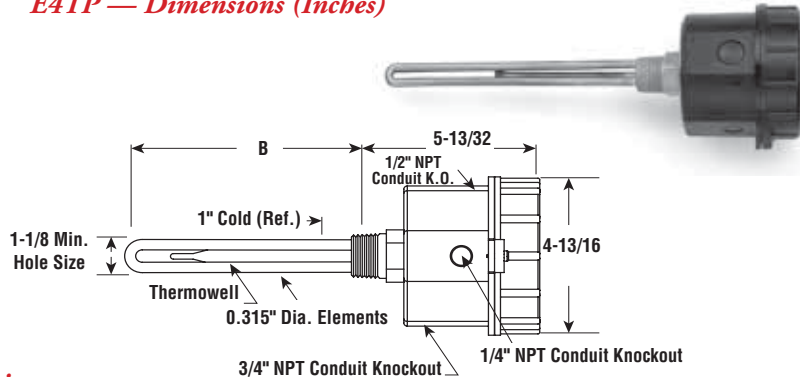
E1 — Dimensions (Inches)



E2 — Dimensions (Inches)



E4TP — Dimensions (Inches)



Specifications and Ordering Information

						E1 General Purpose ¹				E2 Moisture Resistant/ Explosion Resistant ²				E4 Moisture Resistant			
kW	Volts	Phase	W/in ²	No. Elem.	DIM B (In.)	Model	Stock	PCN	Wt. (Lbs.)	Model	Stock	PCN	Wt. (Lbs.)	Model	Stock	PCN	Wt. (Lbs.)
0.75	120	1	64	1	6-5/16	MTS-750	NS	037049	2	MTS-750E2	NS	037188	5	MTS-750E4TP	NS	060230	2
0.75	240	1	64	1	6-5/16	MTS-750	NS	037057	2	MTS-750E2	NS	037196	5	MTS-750E4TP	NS	060249	2
1	120	1	85	1	6-5/16	MTS-1000	NS	037065	2	MTS-1000E2	NS	037209	5	MTS-1000E4TP	NS	060257	2
1	240	1	85	1	6-5/16	MTS-1000	NS	037073	2	MTS-1000E2	NS	037217	5	MTS-1000E4TP	NS	060265	2
1.25	120	1	83	1	8-1/16	MTS-1250	NS	037081	2	MTS-1250E2	NS	037225	5	MTS-1250E4TP	NS	060273	2
1.25	240	1	83	1	8-1/16	MTS-1250	NS	037090	2	MTS-1250E2	NS	037233	5	MTS-1250E4TP	NS	060281	2
1.5	120	1	86	1	9-1/4	MTS-1500	NS	037102	2	MTS-1500E2	NS	037241	5	MTS-1500E4TP	NS	060290	2
1.5	240	1	86	1	9-1/4	MTS-1500	NS	037110	2	MTS-1500E2	NS	037250	5	MTS-1500E4TP	NS	060302	2
2	120	1	83	1	12-1/4	MTS-2000	NS	037129	2	MTS-2000E2	NS	037268	5	MTS-2000E4TP	NS	060310	2
2	240	1	83	1	12-1/4	MTS-2000	NS	037137	2	MTS-2000E2	NS	037276	5	MTS-2000E4TP	NS	060329	2
2.5	120	1	79	1	16-1/4	MTS-2500	NS	037145	2	MTS-2500E2	NS	037284	5	MTS-2500E4TP	NS	060337	2
2.5	240	1	79	1	16-1/4	MTS-2500	NS	037153	2	MTS-2500E2	NS	037292	5	MTS-2500E4TP	NS	060345	2
3	120	1	78	1	19-7/8	MTS-3000	NS	037161	3	MTS-3000E2	NS	037305	6	MTS-3000E4TP	NS	060353	3
3	240	1	78	1	19-7/8	MTS-3000	NS	037170	3	MTS-3000E2	NS	037313	6	MTS-3000E4TP	NS	060361	3

Stock Status: S = stock NS = non-stock
To Order—Specify model, volts, phase, kW, PCN and quantity.

FASTShip

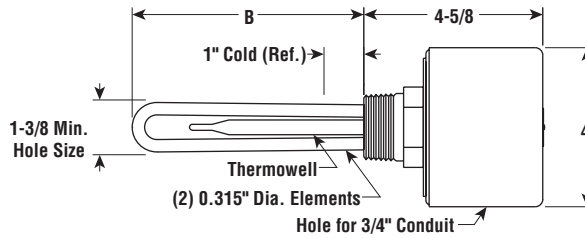
1. Heaters with General Purpose Enclosures are UL Listed and CSA Certified.
2. Heaters with Moisture Resistant/Explosion Resistant Enclosures are _cCSA_{US}® Certified.

Same-day shipping on stock item orders received before 4 pm CST.
3-day shipping on assembly-stock items.

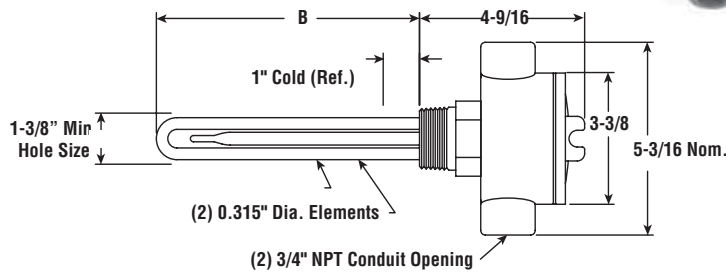
MTS-1 Process Water Applications

- 1-1/4" NPT Stainless Steel Passivated Screw Plug
- Stainless Steel Passivated Elements
- High Watt Density (43 - 86 W/in²)
- 1 - 2 kW
- Without Thermostat
- 120 and 240 Volt, Single Phase
- General Purpose, Moisture Resistant/Explosion Resistant Terminal Enclosure or Moisture Resistant

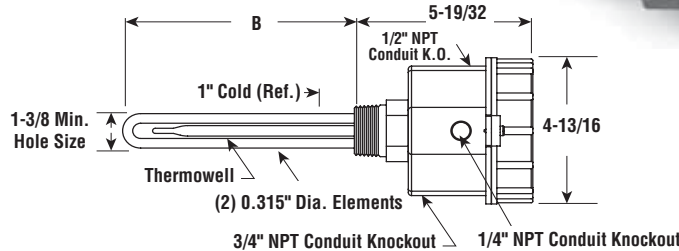
E1 — Dimensions (Inches)



E2 — Dimensions (Inches)



E4TP — Dimensions (Inches)



Specifications and Ordering Information

						E1 General Purpose ¹				E2 Moisture Resistant/ Explosion Resistant ²				E4 Moisture Resistant			
kW	Volts	Phase	W/in ²	No. Elem.	DIM B (In.)	Model	Stock	PCN	Wt. (Lbs.)	Model	Stock	PCN	Wt. (Lbs.)	Model	Stock	PCN	Wt. (Lbs.)
1	120	1	43	2	6-1/8	MTS-110-3	NS	037807	2	MTS-110-3E2	NS	037882	5	MTS-110-3E4TP	NS	060599	2
1	240	1	43	2	6-1/8	MTS-110-3	NS	037815	2	MTS-110-3E2	NS	037890	5	MTS-110-3E4TP	NS	060601	2
1.2	120	1	53	2	6-1/8	MTS-112	NS	037823	2	MTS-112E2	NS	037903	5	MTS-112E4TP	NS	060610	2
1.2	240	1	53	2	6-1/8	MTS-112	NS	037831	2	MTS-112E2	NS	037911	5	MTS-112E4TP	NS	060628	2
1.5	120	1	65	2	6-1/8	MTS-115	NS	037840	2	MTS-115E2	NS	037920	5	MTS-115E4TP	NS	060636	2
1.5	240	1	65	2	6-1/8	MTS-115	NS	037858	2	MTS-115E2	NS	037938	5	MTS-115E4TP	NS	060644	2
2	120	1	86	2	6-1/8	MTS-120	NS	037866	2	MTS-120E2	NS	037946	5	MTS-120E4TP	NS	060652	2
2	240	1	86	2	6-1/8	MTS-120	NS	037874	2	MTS-120E2	NS	037954	5	MTS-120E4TP	NS	060660	2

Stock Status: S = stock NS = non-stock
To Order—Specify model, volts, phase, kW, PCN and quantity.

FASTShip

Same-day shipping on stock item orders received before 4 pm CST. 3-day shipping on assembly-stock items.

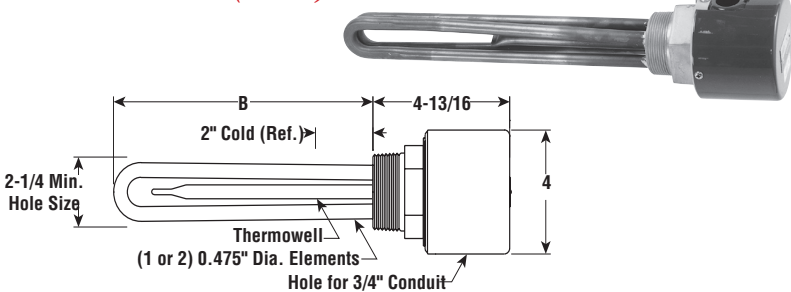
1. Heaters with General Purpose Enclosures are UL Listed and CSA Certified.
2. Heaters with Moisture Resistant/Explosion Resistant Enclosures are cCSA_{US}® Certified.

Immersion

MTS-2 Process Water Applications

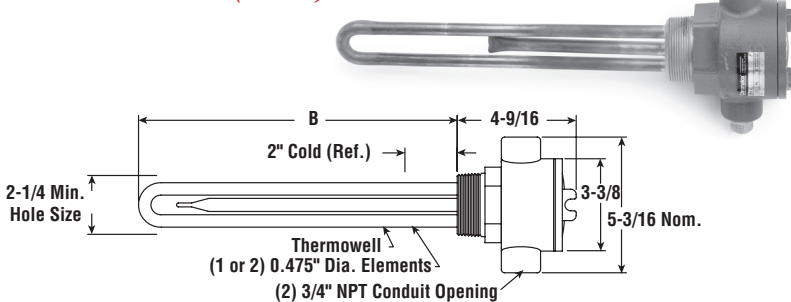
- 2" NPT Stainless Steel Passivated Screw Plug
- Stainless Steel Passivated Sheath Elements
- High Watt Density (43 - 51 W/in²)
- 1.5 - 15 kW
- Without Thermostat
- 120, 208, 240 and 480 Volt, Single Phase
- General Purpose, Moisture Resistant/Explosion Resistant Terminal Enclosure or Moisture Resistant

E1 — Dimensions (Inches)

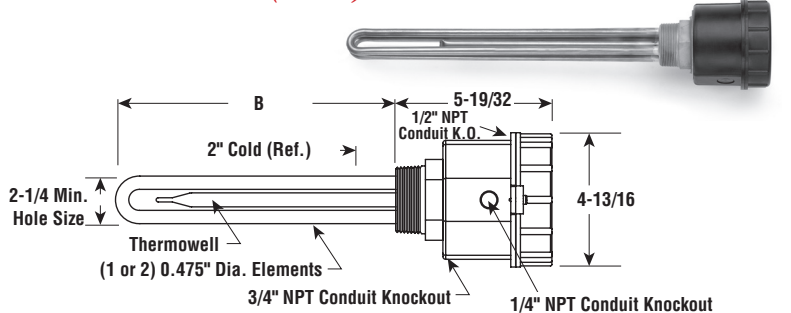


SCREW PLUG

E2 — Dimensions (Inches)



E4TP — Dimensions (Inches)



Same-day shipping on stock item orders received before 4 pm CST.
3-day shipping on assembly-stock items.

Specifications and Ordering Information

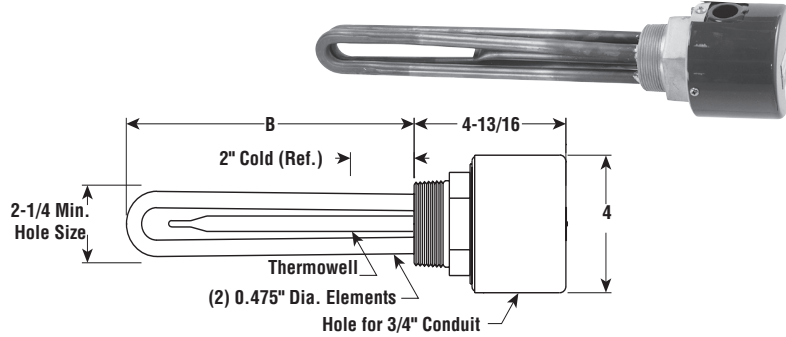
						E1 General Purpose ¹				E2 Moisture Resistant/Explosion Resistant ²				E4 Moisture Resistant			
kW	Volts	Phase	W/in ²	No. Elem.	DIM B (In.)	Model	Stock	PCN	Wt. (Lbs.)	Model	Stock	PCN	Wt. (Lbs.)	Model	Stock	PCN	Wt. (Lbs.)
1.5	120	1	48	1	11-7/16	MTS-215A	NS	139942	3	MTS-215E2	NS	289502	6	MTS-215E4TP	NS	063378	3
1.5	208	1	48	1	11-7/16	MTS-215A	NS	186503	3	MTS-215E2	NS	186511	6	MTS-215E4TP	NS	063407	3
1.5	240	1	48	1	11-7/16	MTS-215A	NS	139950	3	MTS-215E2	NS	289510	6	MTS-215E4TP	NS	063386	3
1.5	480	1	48	1	11-7/16	MTS-215A	NS	139969	3	MTS-215E2	NS	186520	6	MTS-215E4TP	NS	063394	3
2	120	1	48	1	17-1/2	MTS-220A	NS	139977	4	MTS-220E2	NS	186538	7	MTS-220E4TP	NS	063423	4
2	208	1	48	1	17-1/2	MTS-220A	NS	186546	4	MTS-220E2	NS	186554	7	MTS-220E4TP	NS	063415	4
2	240	1	48	1	17-1/2	MTS-220A	NS	139985	4	MTS-220E2	NS	289529	7	MTS-220E4TP	NS	063431	4
2	480	1	48	1	17-1/2	MTS-220A	NS	139993	4	MTS-220E2	NS	186562	7	MTS-220E4TP	NS	063440	4
2	120	1	51	2	7-1/2	MTS-220-3A	NS	190019	4	MTS-220-3E2	NS	289537	7	MTS-220-3E4TP	NS	063458	4
2	208	1	51	2	7-1/2	MTS-220-3A	NS	186570	4	MTS-220-3E2	NS	186589	7	MTS-220-3E4TP	NS	063482	4
2	240	1	51	2	7-1/2	MTS-220-3A	NS	190027	4	MTS-220-3E2	NS	289545	7	MTS-220-3E4TP	NS	063466	4
2	480	1	51	2	7-1/2	MTS-220-3A	NS	190035	4	MTS-220-3E2	NS	289553	7	MTS-220-3E4TP	NS	063474	4
2.5	120	1	47	2	9	MTS-225A	NS	190043	4	MTS-225E2	NS	186597	7	MTS-225E4TP	NS	063490	4
2.5	240	1	47	2	9	MTS-225A	S	190051	4	MTS-225E2	NS	289561	7	MTS-225E4TP	NS	063503	4
2.5	480	1	47	2	9	MTS-225A	NS	190060	4	MTS-225E2	NS	289570	7	MTS-225E4TP	NS	063511	4
3	120	1	43	2	11-1/2	MTS-230A	NS	190078	5	MTS-230E2	NS	186600	8	MTS-230E4TP	NS	063538	5
3	208	1	43	2	11-1/2	MTS-230A	NS	186618	5	MTS-230E2	NS	186626	8	MTS-230E4TP	NS	063520	5
3	240	1	43	2	11-1/2	MTS-230A	S	190086	5	MTS-230E2	NS	289588	8	MTS-230E4TP	NS	063546	5
3	480	1	43	2	11-1/2	MTS-230A	S	190094	5	MTS-230E2	NS	289596	8	MTS-230E4TP	NS	063554	5
4	120	1	44	2	17-1/2	MTS-240A	NS	190107	5	MTS-240E2	NS	186634	8	MTS-240E4TP	NS	063570	5
4	208	1	44	2	17-1/2	MTS-240A	NS	186642	5	MTS-240E2	NS	186650	8	MTS-240E4TP	NS	063562	5
4	240	1	44	2	17-1/2	MTS-240A	S	190115	5	MTS-240E2	NS	289609	8	MTS-240E4TP	NS	063589	5
4	480	1	44	2	17-1/2	MTS-240A	S	190123	5	MTS-240E2	NS	289617	8	MTS-240E4TP	NS	063597	5
5	120	1	45	2	19	MTS-250A	NS	190131	5	MTS-250E2	NS	186669	8	MTS-250E4TP	NS	063618	5
5	208	1	45	2	19	MTS-250A	NS	186677	5	MTS-250E2	NS	186685	8	MTS-250E4TP	NS	063600	5
5	240	1	45	2	19	MTS-250A	S	190140	5	MTS-250E2	NS	289625	8	MTS-250E4TP	NS	063626	5
5	480	1	45	2	19	MTS-250A	NS	190158	5	MTS-250E2	NS	289633	8	MTS-250E4TP	NS	063634	5

MTS-2

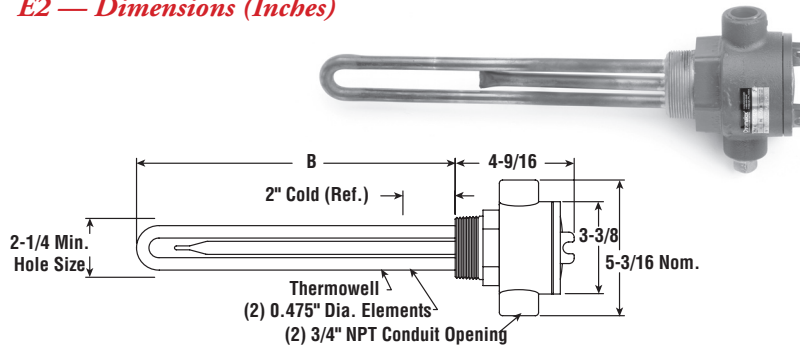
Process Water Applications (cont'd.)

- 2" NPT Stainless Steel Passivated Screw Plug
- Stainless Steel Passivated Sheath Elements
- High Watt Density (43 - 51 W/in²)
- 1.5 - 15 kW
- Without Thermostat
- 208, 240 and 480 Volt, Single Phase
- General Purpose or Moisture Resistant/Explosion Resistant Terminal Enclosure or Moisture Resistant

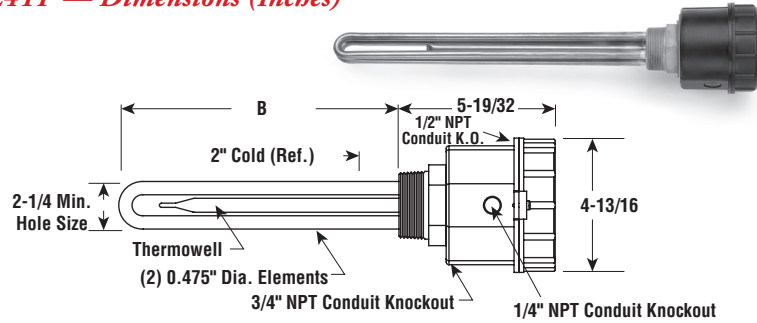
E1 — Dimensions (Inches)



E2 — Dimensions (Inches)



E4TP — Dimensions (Inches)



Specifications and Ordering Information

						E1 General Purpose ¹				E2 Moisture Resistant/Explosion Resistant ²				E4 Moisture Resistant			
kW	Volts	Phase	W/in ²	No. Elem.	DIM B (In.)	Model	Stock	PCN	Wt. (Lbs.)	Model	Stock	PCN	Wt. (Lbs.)	Model	Stock	PCN	Wt. (Lbs.)
6	208	1	46	2	24-1/2	MTS-260A	NS	186693	5	MTS-260E2	NS	186706	8	MTS-260E4TP	NS	063642	5
6	240	1	46	2	24-1/2	MTS-260A	S	190166	5	MTS-260E2	NS	289641	8	MTS-260E4TP	NS	063650	5
6	480	1	46	2	24-1/2	MTS-260A	S	190174	5	MTS-260E2	NS	289650	8	MTS-260E4TP	NS	063669	5
7	240	1	46	2	27-1/2	MTS-270A	S	190182	6	MTS-270E2	NS	289676	9	MTS-270E4TP	NS	063677	6
7	480	1	46	2	27-1/2	MTS-270A	NS	190190	6	MTS-270E2	NS	289684	9	MTS-270E4TP	NS	063685	6
10	208	1	46	2	40	MTS-2100A	NS	186714	8	MTS-2100E2	NS	186722	11	MTS-2100E4TP	NS	063298	8
10	240	1	46	2	40	MTS-2100A	NS	190203	8	MTS-2100E2	NS	289692	11	MTS-2100E4TP	NS	063300	8
10	480	1	46	2	40	MTS-2100A	NS	190211	8	MTS-2100E2	NS	289705	11	MTS-2100E4TP	NS	063319	8
12	208	1	46	2	48	MTS-2120A*	NS	186730	8	MTS-2120E2*	NS	186749	11	MTS-2120E4TP*	NS	063327	8
12	240	1	46	2	48	MTS-2120A*	NS	190220	8	MTS-2120E2*	NS	289713	11	MTS-2120E4TP*	NS	063335	8
12	480	1	46	2	48	MTS-2120A	NS	190238	8	MTS-2120E2	NS	289721	11	MTS-2120E4TP	NS	063343	8
15	240	1	50	2	54	MTS-2150A*	NS	190246	8	MTS-2150E2*	NS	289730	11	MTS-2150E4TP*	NS	063351	8
15	480	1	50	2	54	MTS-2150A	NS	190254	8	MTS-2150E2	NS	289748	11	MTS-2150E4TP	NS	063360	8

Stock Status: S = stock NS = non-stock
To Order—Specify model, volts, phase, kW, PCN and quantity.

1. Heaters with General Purpose Enclosures are UL Listed and CSA Certified except Models with *(Exceeds 48 Amps).
2. Heaters with Moisture Resistant/Explosion Resistant Enclosures are CSA_{US} Certified except Models with *(Exceeds 48 Amps).

FASTSHIP

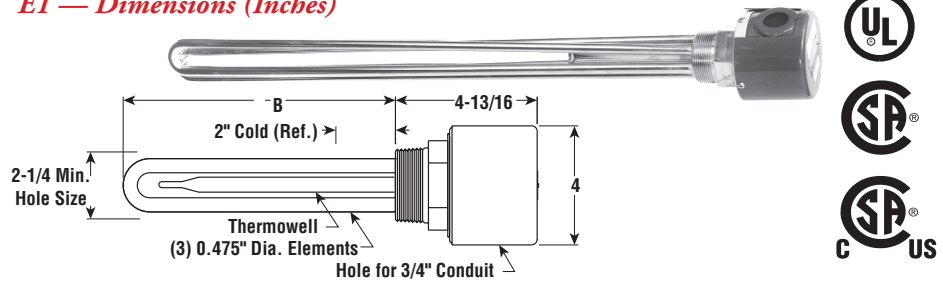
Same-day shipping on stock item orders received before 4 pm CST.
 3-day shipping on assembly-stock items.

Immersion

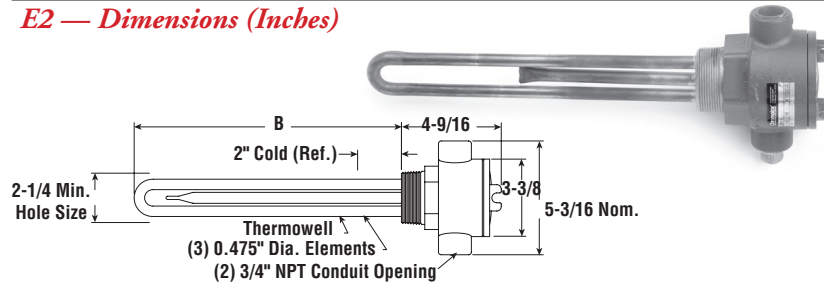
EMTS-3 Process Water Applications

- 2" NPT Stainless Steel Passivated Screw Plug
- Stainless Steel Passivated Sheath Elements
- High Watt Density (38 - 47 W/in²)
- 3 - 18 kW
- Without Thermostat
- 208, 240 and 480 Volt, 1 and 3 Phase
- General Purpose, Moisture Resistant/Explosion Resistant Terminal Enclosure or Moisture Resistant

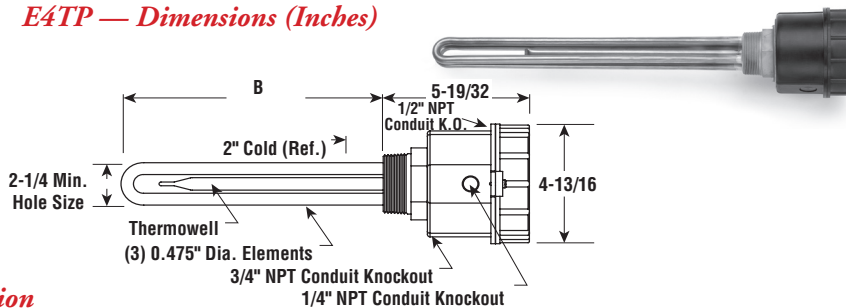
E1 — Dimensions (Inches)



E2 — Dimensions (Inches)



E4TP — Dimensions (Inches)



Specifications and Ordering Information

						E1 General Purpose ¹				E2 Moisture Resistant/ Explosion Resistant ²				E4 Moisture Resistant			
kW	Volts	Phase	W/in ²	No. Elem.	DIM B (In.)	Model	Stock	PCN	Wt. (Lbs.)	Model	Stock	PCN	Wt. (Lbs.)	Model	Stock	PCN	Wt. (Lbs.)
3	208	3	47	3	7-3/4	EMTS-330	NS	092021	5	EMTS-330E2	NS	092080	8	EMTS-330E4TP	NS	061794	5
3	240	1	47	3	7-3/4	EMTS-330	NS	092030	5	EMTS-330E2	NS	092099	8	EMTS-330E4TP	NS	061807	5
3	240	3	47	3	7-3/4	EMTS-330	NS	092048	5	EMTS-330E2	NS	092101	8	EMTS-330E4TP	NS	061815	5
3	480	1	47	3	7-3/4	EMTS-330	NS	092056	5	EMTS-330E2	NS	092110	8	EMTS-330E4TP	NS	061823	5
3	480	3	47	3	7-3/4	EMTS-330	S	092064	5	EMTS-330E2	NS	092128	8	EMTS-330E4TP	NS	061831	5
4.5	208	1	44	3	11-3/4	EMTS-345	NS	092136	6	EMTS-345E2	NS	092195	9	EMTS-345E4TP	NS	061840	6
4.5	208	3	44	3	11-3/4	EMTS-345	NS	092144	6	EMTS-345E2	NS	092208	9	EMTS-345E4TP	NS	061858	6
4.5	240	1	44	3	11-3/4	EMTS-345	NS	092152	6	EMTS-345E2	NS	092216	9	EMTS-345E4TP	NS	061866	6
4.5	240	3	44	3	11-3/4	EMTS-345	NS	092160	6	EMTS-345E2	NS	092224	9	EMTS-345E4TP	NS	061874	6
4.5	480	1	44	3	11-3/4	EMTS-345	NS	092179	6	EMTS-345E2	NS	092232	9	EMTS-345E4TP	NS	061882	6
4.5	480	3	44	3	11-3/4	EMTS-345	NS	092187	6	EMTS-345E2	NS	092240	9	EMTS-345E4TP	NS	061890	6
6	208	3	38	3	17-3/4	EMTS-360	NS	092267	6	EMTS-360E2	NS	092320	9	EMTS-360E4TP	NS	061911	6
6	240	1	38	3	17-3/4	EMTS-360	NS	092275	6	EMTS-360E2	NS	092339	9	EMTS-360E4TP	NS	061920	6
6	240	3	38	3	17-3/4	EMTS-360	NS	092283	6	EMTS-360E2	NS	092347	9	EMTS-360E4TP	NS	061938	6
6	480	1	38	3	17-3/4	EMTS-360	NS	092291	6	EMTS-360E2	NS	092355	9	EMTS-360E4TP	NS	061946	6
6	480	3	38	3	17-3/4	EMTS-360	S	092304	6	EMTS-360E2	NS	092363	9	EMTS-360E4TP	NS	061954	6
7.5	208	1	43	3	19-1/2	EMTS-375	NS	092371	6	EMTS-375E2	NS	092435	9	EMTS-375E4TP	NS	061962	6
7.5	208	3	43	3	19-1/2	EMTS-375	NS	092380	6	EMTS-375E2	NS	092443	9	EMTS-375E4TP	NS	061970	6
7.5	240	1	43	3	19-1/2	EMTS-375	NS	092398	6	EMTS-375E2	NS	092451	9	EMTS-375E4TP	NS	061989	6
7.5	240	3	43	3	19-1/2	EMTS-375	NS	092400	6	EMTS-375E2	NS	092460	9	EMTS-375E4TP	NS	061997	6
7.5	480	1	43	3	19-1/2	EMTS-375	NS	092419	6	EMTS-375E2	NS	092478	9	EMTS-375E4TP	NS	062009	6
7.5	480	3	43	3	19-1/2	EMTS-375	NS	092427	6	EMTS-375E2	NS	092486	9	EMTS-375E4TP	NS	062017	6
9	208	1	40	3	24-7/8	EMTS-390	NS	092494	7	EMTS-390E2	NS	092558	10	EMTS-390E4TP	NS	062025	7
9	208	3	40	3	24-7/8	EMTS-390	NS	092507	7	EMTS-390E2	NS	092566	10	EMTS-390E4TP	NS	062033	7
9	240	1	40	3	24-7/8	EMTS-390	NS	092515	7	EMTS-390E2	NS	092574	10	EMTS-390E4TP	NS	062041	7
9	240	3	40	3	24-7/8	EMTS-390	S	092523	7	EMTS-390E2	NS	092582	10	EMTS-390E4TP	NS	062050	7
9	480	1	40	3	24-7/8	EMTS-390	NS	092531	7	EMTS-390E2	NS	092590	10	EMTS-390E4TP	NS	062068	7
9	480	3	40	3	24-7/8	EMTS-390	S	092540	7	EMTS-390E2	NS	092603	10	EMTS-390E4TP	NS	062076	7

Stock Status: S = stock NS = non-stock
To Order—Specify model, volts, phase, kW, PCN and quantity.

1. Heaters with General Purpose Enclosures are UL Listed & CSA Certified except Models with *(Exceeds 48 Amps).
2. Heaters with Moisture Resistant/Explosion Resistant Enclosures are _CCSA_{US}® Certified except Models with *(Exceeds 48 Amps).

FASTShip

Same-day shipping on stock item orders received before 4 pm CST.
 3-day shipping on assembly-stock items.

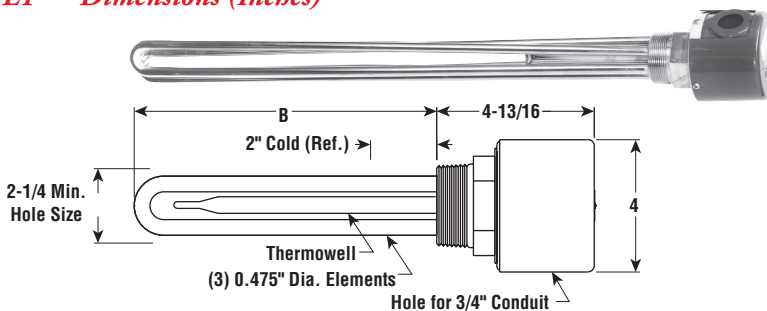
Immersion

EMTS-3

Process Water Applications (cont'd.)

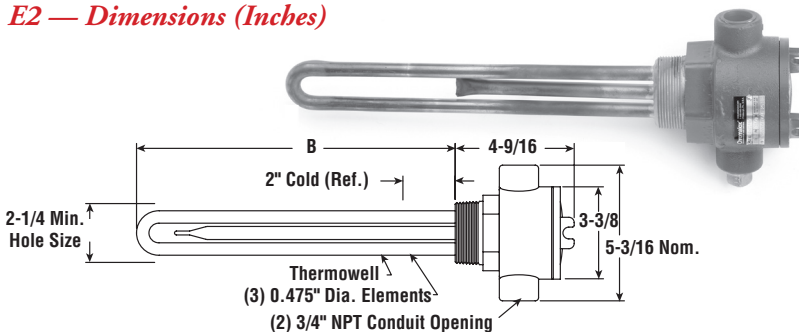
- 2" NPT Stainless Steel Passivated Screw Plug
- Stainless Steel Passivated Sheath Elements
- High Watt Density (38 - 47 W/In²)
- 3 - 18 kW
- Without Thermostat
- 208, 240 and 480 Volt, 1 and 3 Phase
- General Purpose, Moisture Resistant/Explosion Resistant Terminal Enclosure or Moisture Resistant

E1 — Dimensions (Inches)

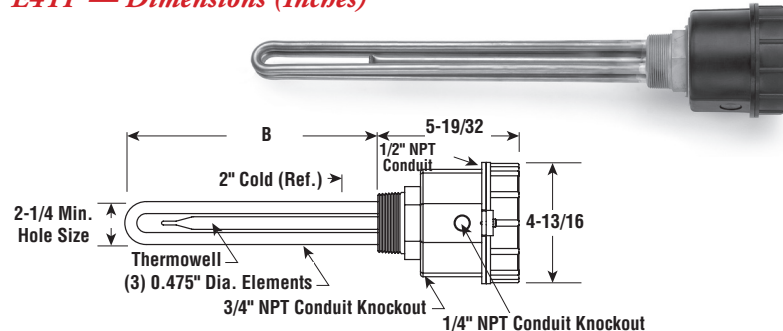


SCREW PLUG

E2 — Dimensions (Inches)



E4TP — Dimensions (Inches)



Specifications and Ordering Information

						E1 General Purpose ¹				E2 Moisture Resistant/Explosion Resistant ²				E4 Moisture Resistant			
kW	Volts	Phase	W/In ²	No. Elem.	DIM B (In.)	Model	Stock	PCN	Wt. (Lbs.)	Model	Stock	PCN	Wt. (Lbs.)	Model	Stock	PCN	Wt. (Lbs.)
12	208	1	40	3	32-7/16	EMTS-3120*	NS	092611	9	EMTS-3120E2*	NS	092670	12	EMTS-3120E4TP*	NS	061612	9
12	208	3	40	3	32-7/16	EMTS-3120	NS	092620	9	EMTS-3120E2	NS	092689	12	EMTS-3120E4TP	NS	061620	9
12	240	1	40	3	32-7/16	EMTS-3120*	NS	092638	9	EMTS-3120E2*	NS	092697	12	EMTS-3120E4TP*	NS	061639	9
12	240	3	40	3	32-7/16	EMTS-3120	S	092646	9	EMTS-3120E2	NS	092700	12	EMTS-3120E4TP	NS	061647	9
12	480	1	40	3	32-7/16	EMTS-3120	NS	092654	9	EMTS-3120E2	NS	092718	12	EMTS-3120E4TP	NS	061655	9
12	480	3	40	3	32-7/16	EMTS-3120	NS	092662	9	EMTS-3120E2	NS	092726	12	EMTS-3120E4TP	NS	061663	9
15	208	1	41	3	40-3/8	EMTS-3150*	NS	092734	10	EMTS-3150E2*	NS	092793	13	EMTS-3150E4TP*	NS	061671	10
15	208	3	41	3	40-3/8	EMTS-3150	NS	092742	10	EMTS-3150E2	NS	092806	13	EMTS-3150E4TP	NS	061680	10
15	240	1	41	3	40-3/8	EMTS-3150*	NS	092750	10	EMTS-3150E2*	NS	092814	13	EMTS-3150E4TP*	NS	061398	10
15	240	3	41	3	40-3/8	EMTS-3150	S	092769	10	EMTS-3150E2	NS	092822	13	EMTS-3150E4TP	NS	061700	10
15	480	1	41	3	40-3/8	EMTS-3150	NS	092777	10	EMTS-3150E2	NS	092830	13	EMTS-3150E4TP	NS	061719	10
15	480	3	41	3	40-3/8	EMTS-3150	S	092785	10	EMTS-3150E2	NS	092849	13	EMTS-3150E4TP	NS	061727	10
18	208	1	41	3	47-7/8	EMTS-3180*	NS	092857	12	EMTS-3180E2*	NS	092910	15	EMTS-3180E4TP*	NS	061735	12
18	208	3	41	3	47-7/8	EMTS-3180*	NS	092865	12	EMTS-3180E2*	NS	092929	15	EMTS-3180E4TP*	NS	061743	12
18	240	1	41	3	47-7/8	EMTS-3180*	NS	092873	12	EMTS-3180E2*	NS	092937	15	EMTS-3180E4TP*	NS	061751	12
18	240	3	41	3	47-7/8	EMTS-3180	NS	092881	12	EMTS-3180E2	NS	092945	15	EMTS-3180E4TP	NS	061760	12
18	480	1	41	3	47-7/8	EMTS-3180	NS	092890	12	EMTS-3180E2	NS	092953	15	EMTS-3180E4TP	NS	061778	12
18	480	3	41	3	47-7/8	EMTS-3180	S	092902	12	EMTS-3180E2	NS	092961	15	EMTS-3180E4TP	NS	061786	12

Stock Status: **S** = stock NS = non-stock
 To Order—Specify model, volts, phase, kW, PCN and quantity.

1. Heaters with General Purpose Enclosures are UL Listed and CSA Certified except Models with *(Exceeds 48 Amps).
2. Heaters with Moisture Resistant/Explosion Resistant Enclosures are CSA^{US} Certified except Models with *(Exceeds 48 Amps).

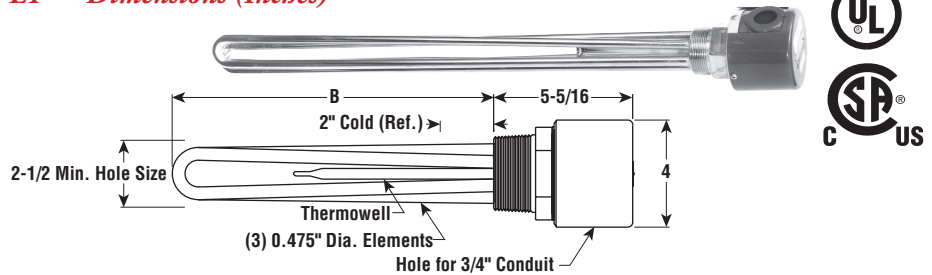


Same-day shipping on stock item orders received before 4 pm CST.
 3-day shipping on assembly-stock items.

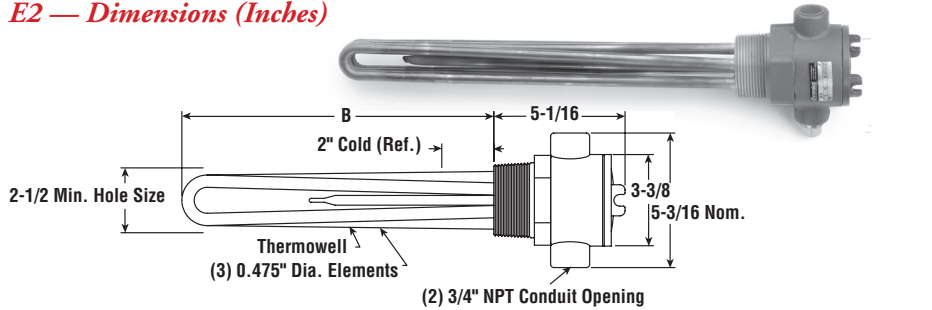
MTS-3 Process Water Applications

- 2-1/2" NPT Stainless Steel Passivated Screw Plug
- Stainless Steel Passivated Sheath Elements
- High Watt Density (46 - 53 W/in²)
- 3 - 18 kW
- Without Thermostat
- 120, 208, 240 and 480 Volt, 1 & 3 Phase
- General Purpose, Moisture Resistant/Explosion Resistant Terminal Enclosure or Moisture Resistant

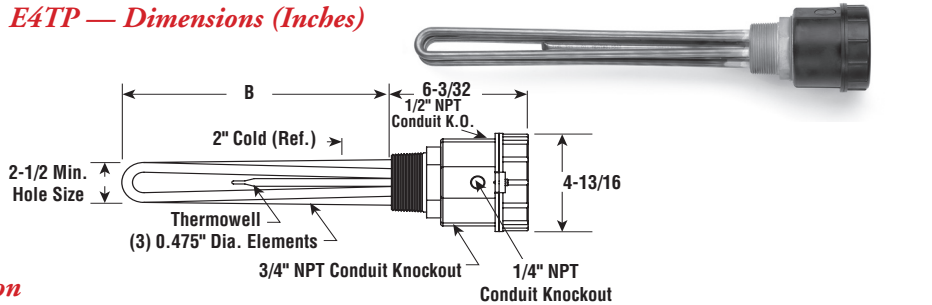
E1 — Dimensions (Inches)



E2 — Dimensions (Inches)



E4TP — Dimensions (Inches)



Same-day shipping on stock item orders received before 4 pm CST.
3-day shipping on assembly-stock items.

Specifications and Ordering Information

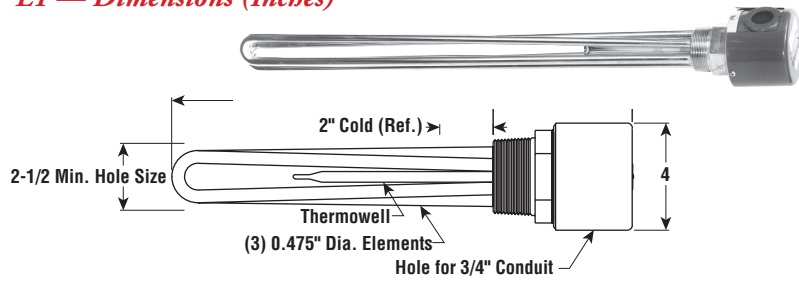
						E1 General Purpose ¹				E2 Moisture Resistant/ Explosion Resistant ²				E4 Moisture Resistant			
kW	Volts	Phase	W/in ²	No. Elem.	DIM B (In.)	Model	Stock	PCN	Wt. (Lbs.)	Model	Stock	PCN	Wt. (Lbs.)	Model	Stock	PCN	Wt. (Lbs.)
3	120	1	51	3	6-7/8	MTS-330A	NS	256954	5	MTS-330E2	NS	186757	8	MTS-330E4TP	NS	065111	5
3	208	1	51	3	6-7/8	MTS-330A	NS	186765	5	MTS-330E2	NS	186773	8	MTS-330E4TP	NS	065090	5
3	208	3	51	3	6-7/8	MTS-330A	NS	186781	5	MTS-330E2	NS	186790	8	MTS-330E4TP	NS	065103	5
3	240	1	51	3	6-7/8	MTS-330A	NS	256962	5	MTS-330E2	NS	289810	8	MTS-330E4TP	NS	065138	5
3	240	3	51	3	6-7/8	MTS-330A	NS	256997	5	MTS-330E2	NS	289828	8	MTS-330E4TP	NS	065146	5
3	480	1	51	3	6-7/8	MTS-330A	NS	256970	5	MTS-330E2	NS	310906	8	MTS-330E4TP	NS	065120	5
3	480	3	51	3	6-7/8	MTS-330A	S	257009	5	MTS-330E2	NS	289836	8	MTS-330E4TP	NS	065154	5
4.5	120	1	48	3	10-7/8	MTS-345A	NS	258360	6	MTS-345E2	NS	186802	9	MTS-345E4TP	NS	065200	6
4.5	208	1	48	3	10-7/8	MTS-345A	NS	186810	6	MTS-345E2	NS	186829	9	MTS-345E4TP	NS	065162	6
4.5	208	3	48	3	10-7/8	MTS-345A	NS	186837	6	MTS-345E2	NS	186845	9	MTS-345E4TP	NS	065170	6
4.5	240	1	48	3	10-7/8	MTS-345A	NS	192030	6	MTS-345E2	NS	289844	9	MTS-345E4TP	NS	065189	6
4.5	240	3	48	3	10-7/8	MTS-345A	S	192049	6	MTS-345E2	NS	289852	9	MTS-345E4TP	NS	065197	6
4.5	480	1	48	3	10-7/8	MTS-345A	NS	258378	6	MTS-345E2	NS	289860	9	MTS-345E4TP	NS	065218	6
4.5	480	3	48	3	10-7/8	MTS-345A	S	258394	6	MTS-345E2	NS	289879	9	MTS-345E4TP	NS	065226	6
6	120	1	48	3	16-7/8	MTS-360A	NS	192057	6	MTS-360E2	NS	186853	9	MTS-360E4TP	NS	065250	6
6	208	1	48	3	16-7/8	MTS-360A	NS	186861	6	MTS-360E2	NS	186870	9	MTS-360E4TP	NS	065234	6
6	208	3	48	3	16-7/8	MTS-360A	NS	186888	6	MTS-360E2	NS	186896	9	MTS-360E4TP	NS	065242	6
6	240	1	48	3	16-7/8	MTS-360A	NS	192065	6	MTS-360E2	NS	289887	9	MTS-360E4TP	NS	065269	6
6	240	3	48	3	16-7/8	MTS-360A	S	192102	6	MTS-360E2	NS	289895	9	MTS-360E4TP	NS	065285	6
6	480	1	48	3	16-7/8	MTS-360A	NS	192073	6	MTS-360E2	NS	289908	9	MTS-360E4TP	NS	065277	6
6	480	3	48	3	16-7/8	MTS-360A	S	192110	6	MTS-360E2	S	289916	9	MTS-360E4TP	NS	065293	6
7.5	208	1	53	3	18-11/16	MTS-375A	NS	186909	6	MTS-375E2	NS	186917	9	MTS-375E4TP	NS	065306	6
7.5	208	3	53	3	18-11/16	MTS-375A	NS	186925	6	MTS-375E2	NS	186933	9	MTS-375E4TP	NS	065314	6
7.5	240	1	53	3	18-11/16	MTS-375A	NS	192137	6	MTS-375E2	NS	289924	9	MTS-375E4TP	NS	065322	6
7.5	248	3	53	3	18-11/16	MTS-375A	S	192161	6	MTS-375E2	NS	289932	9	MTS-375E4TP	NS	065349	6
7.5	480	1	53	3	18-11/16	MTS-375A	NS	192145	6	MTS-375E2	NS	289940	9	MTS-375E4TP	NS	065330	6
7.5	480	3	53	3	18-11/16	MTS-375A	S	192170	6	MTS-375E2	S	289959	9	MTS-375E4TP	NS	065357	6
9	208	1	47	3	24	MTS-390A	NS	186941	7	MTS-390E2	NS	186950	10	MTS-390E4TP	NS	065365	7
9	208	3	47	3	24	MTS-390A	NS	186976	7	MTS-390E2	NS	186968	10	MTS-390E4TP	NS	065373	7
9	240	1	47	3	24	MTS-390A	NS	192196	7	MTS-390E2	NS	289967	10	MTS-390E4TP	NS	065381	7
9	240	3	47	3	24	MTS-390A	S	192225	7	MTS-390E2	S	289975	10	MTS-390E4TP	NS	065402	7
9	480	1	47	3	24	MTS-390A	NS	192209	7	MTS-390E2	NS	289983	10	MTS-390E4TP	NS	065390	7
9	480	3	47	3	24	MTS-390A	S	192233	7	MTS-390E2	S	289991	10	MTS-390E4TP	NS	065410	7

Immersion

MTS-3 Process Water Applications (cont'd.)

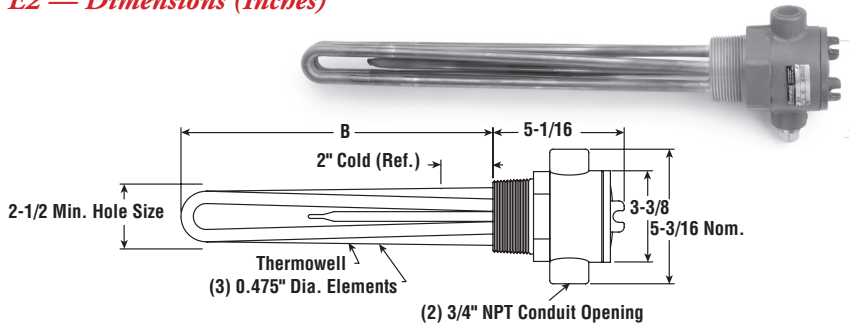
- 2-1/2" NPT Stainless Steel Passivated Screw Plug
- Stainless Steel Passivated Sheath Elements
- High Watt Density (46 - 53 W/In²)
- 3 - 18 kW
- Without Thermostat
- 120, 208, 240 and 480 Volt, 1 & 3 Phase
- General Purpose, Moisture Resistant/Explosion Resistant Terminal Enclosure or Moisture Resistant

E1 — Dimensions (Inches)

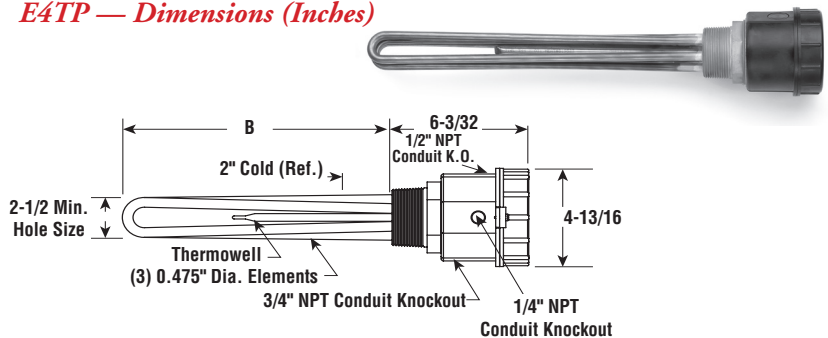


SCREW PLUG

E2 — Dimensions (Inches)



E4TP — Dimensions (Inches)



Specifications and Ordering Information

						E1 General Purpose ¹					E2 Moisture Resistant/ Explosion Resistant ²					E4 Moisture Resistant				
kW	Volts	Phase	W/In ²	No. Elem.	DIM B (In.)	Model	Stock	PCN	Wt. (Lbs.)	Model	Stock	PCN	Wt. (Lbs.)	Model	Stock	PCN	Wt. (Lbs.)			
12	208	1	46	3	31-7/8	MTS-3120A*	NS	186984	9	MTS-3120E2*	NS	186992	12	MTS-3120E4TP*	NS	064910	9			
12	208	3	46	3	31-7/8	MTS-3120A	NS	187004	9	MTS-3120E2	NS	187012	12	MTS-3120E4TP	NS	064928	9			
12	240	1	46	3	31-7/8	MTS-3120A*	NS	192250	9	MTS-3120E2*	NS	290001	12	MTS-3120E4TP*	NS	064936	9			
12	480	1	46	3	31-7/8	MTS-3120A	S	192284	9	MTS-3120E2	NS	290010	12	MTS-3120E4TP	NS	064944	9			
12	240	3	46	3	31-7/8	MTS-3120A	NS	192268	9	MTS-3120E2	NS	290028	12	MTS-3120E4TP	NS	064952	9			
12	480	3	46	3	31-7/8	MTS-3120A	S	192292	9	MTS-3120E2	S	290036	12	MTS-3120E4TP	NS	064960	9			
15	208	1	46	3	39-3/8	MTS-3150A*	NS	187020	10	MTS-3150E2*	NS	310914	13	MTS-3150E4TP*	NS	064979	10			
15	208	3	46	3	39-3/8	MTS-3150A	NS	187047	10	MTS-3150E2	NS	187055	13	MTS-3150E4TP	NS	064987	10			
15	240	1	46	3	39-3/8	MTS-3150A*	NS	192313	10	MTS-3150E2*	NS	290044	13	MTS-3150E4TP*	NS	064995	10			
15	480	1	46	3	39-3/8	MTS-3150A	NS	192348	10	MTS-3150E2	NS	290052	13	MTS-3150E4TP	NS	065007	10			
15	240	3	46	3	39-3/8	MTS-3150A	NS	192321	10	MTS-3150E2	NS	290060	13	MTS-3150E4TP	NS	065015	10			
15	480	3	46	3	39-3/8	MTS-3150A	S	192356	10	MTS-3150E2	S	290079	13	MTS-3150E4TP	NS	065023	10			
18	208	1	51	3	46-7/8	MTS-3180A*	NS	187063	12	MTS-3180E2*	NS	310930	15	MTS-3180E4TP*	NS	065031	12			
18	208	3	51	3	46-7/8	MTS-3180A*	NS	187080	12	MTS-3180E2*	NS	187098	15	MTS-3180E4TP*	NS	065040	12			
18	240	1	51	3	46-7/8	MTS-3180A*	NS	192372	12	MTS-3180E2*	NS	290087	15	MTS-3180E4TP*	NS	065058	12			
18	240	1	51	3	46-7/8	MTS-3180A	NS	192401	12	MTS-3180E2	NS	290095	15	MTS-3180E4TP	NS	065066	12			
18	480	1	51	3	46-7/8	MTS-3180A	NS	192380	12	MTS-3180E2	NS	290108	15	MTS-3180E4TP	NS	065074	12			
18	480	3	51	3	46-7/8	MTS-3180A	S	192410	12	MTS-3180E2	S	290116	15	MTS-3180E4TP	NS	065082	12			

Stock Status: S = stock NS = non-stock
To Order—Specify model, volts, phase, kW, PCN and quantity.

1. Heaters with General Purpose Enclosures are UL Listed and CSA Certified except Models with *(Exceeds 48 Amps).
2. Heaters with Moisture Resistant/Explosion Resistant Enclosures are CSA NRTL/C Certified except Models with *(Exceeds 48 Amps).

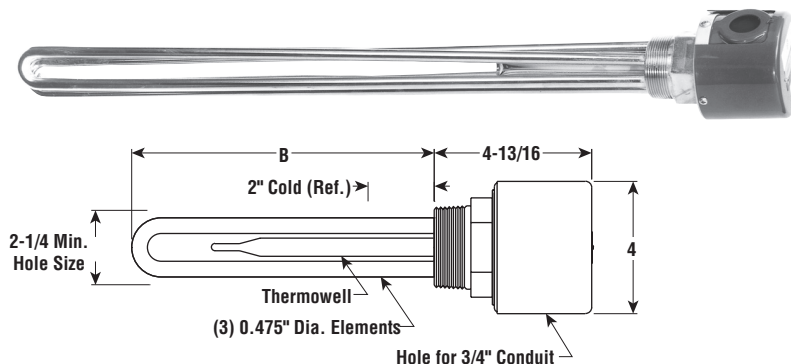


Same-day shipping on stock item orders received before 4 pm CST.
3-day shipping on assembly-stock items.

EMTS-3 Mildly Corrosive Solution Applications

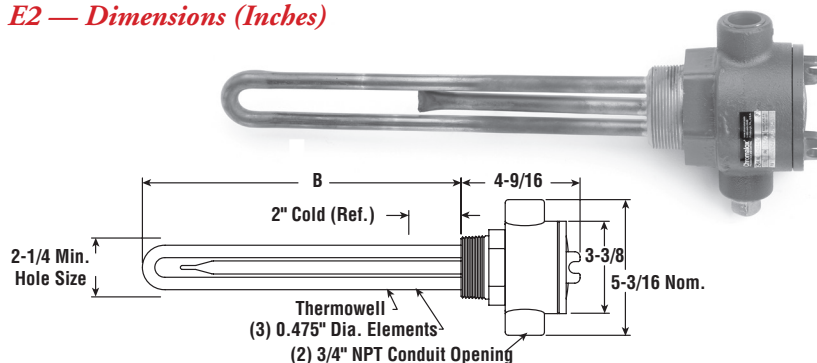
- 2" NPT Stainless Steel Passivated Screw Plug
- Stainless Steel Passivated Sheath Elements
- Medium Watt Density (23 W/In²)
- 3 - 9 kW
- Without Thermostat
- 240 and 480 Volt, Three Phase
- General Purpose, Moisture Resistant/Explosion Resistant Terminal Enclosure or Moisture Resistant

E1 — Dimensions (Inches)

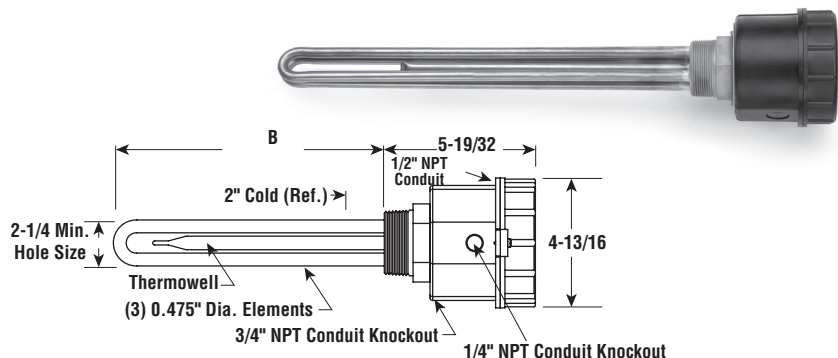


SCREW PLUG

E2 — Dimensions (Inches)



E4TP — Dimensions (Inches)



Specifications and Ordering Information

						E1 General Purpose ¹				E2 Moisture Resistant/ Explosion Resistant ²				E4 Moisture Resistant			
kW	Volts	Phase	W/In ²	No. Elem.	DIM B (In.)	Model	Stock	PCN	Wt. (Lbs.)	Model	Stock	PCN	Wt. (Lbs.)	Model	Stock	PCN	Wt. (Lbs.)
3	240	3	23	3	17-3/4	EMTS-3030	NS	091686	6	EMTS-3030E2	NS	033398	9	EMTS-3030E4TP	NS	061436	12
3	480	3	23	3	17-3/4	EMTS-3030	NS	091694	6	EMTS-3030E2	NS	033400	9	EMTS-3030E4TP	NS	061444	12
4.5	240	3	23	3	24-7/8	EMTS-3045	NS	091707	7	EMTS-3045E2	NS	033419	10	EMTS-3045E4TP	NS	061452	13
4.5	480	3	23	3	24-7/8	EMTS-3045	NS	091715	7	EMTS-3045E2	NS	033427	10	EMTS-3045E4TP	NS	061460	13
6	240	3	23	3	32-7/16	EMTS-3060	NS	091723	9	EMTS-3060E2	NS	033435	12	EMTS-3060E4TP	NS	061479	15
6	480	3	23	3	32-7/16	EMTS-3060	NS	091731	9	EMTS-3060E2	NS	033443	12	EMTS-3060E4TP	NS	061487	15
7.5	240	3	23	3	40-3/8	EMTS-3075	NS	091740	10	EMTS-3075E2	NS	033451	13	EMTS-3075E4TP	NS	061575	16
7.5	480	3	23	3	40-3/8	EMTS-3075	NS	091758	10	EMTS-3075E2	NS	033460	13	EMTS-3075E4TP	NS	061583	16
9	240	3	23	3	47-7/8	EMTS-3090	NS	091766	12	EMTS-3090E2	NS	033478	15	EMTS-3090E4TP	NS	061591	18
9	480	3	23	3	47-7/8	EMTS-3090	NS	091774	12	EMTS-3090E2	NS	033486	15	EMTS-3090E4TP	NS	061604	18

Stock Status: S = stock NS = non-stock
To Order—Specify model, volts, phase, kW, PCN and quantity.

1. Heaters with General Purpose Enclosures are UL Listed and CSA Certified.
2. Heaters with Moisture Resistant/Explosion Resistant Enclosures are c_CSA_{US}® Certified.

FASTShip

Same-day shipping on stock item orders received before 4 pm CST.
3-day shipping on assembly-stock items.

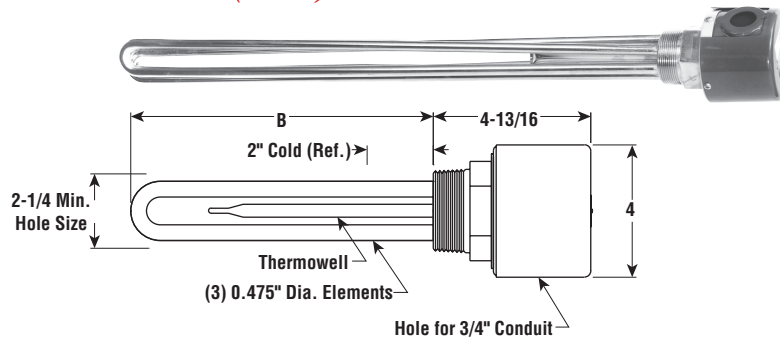
Immersion

EMTS-3

Severely Corrosive Solution Applications

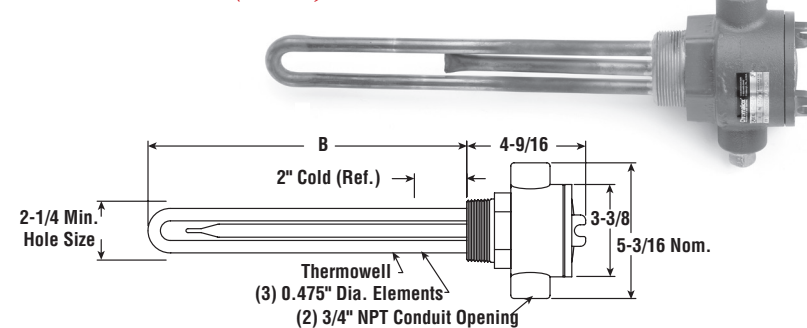
- 2" NPT Stainless Steel Passivated Screw Plug
- Stainless Steel Passivated Sheath Elements
- Low Watt Density (15 W/In²)
- 1 - 6 kW
- Without Thermostat
- 240 and 480 Volt, Three Phase
- General Purpose, Moisture Resistant/Explosion Resistant Terminal Enclosure or Moisture Resistant

E1 — Dimensions (Inches)

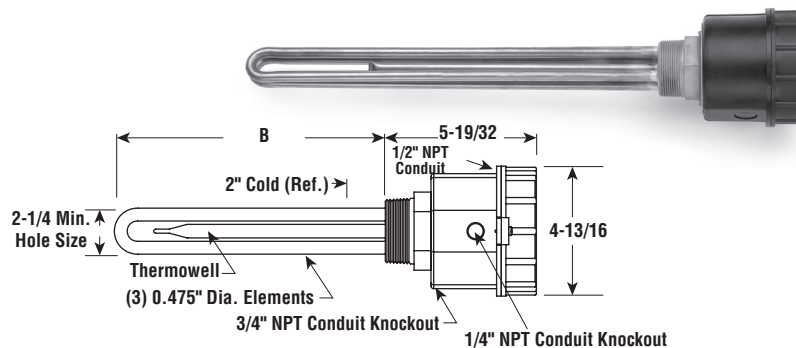


SCREW PLUG

E2 — Dimensions (Inches)



E4TP — Dimensions (Inches)



Specifications and Ordering Information

						E1 General Purpose ¹				E2 Moisture Resistant/ Explosion Resistant ²				E4 Moisture Resistant			
kW	Volts	Phase	W/In ²	No. Elem.	DIM B (In.)	Model	Stock	PCN	Wt. (Lbs.)	Model	Stock	PCN	Wt. (Lbs.)	Model	Stock	PCN	Wt. (Lbs.)
1	240	3	15	3	7-3/4	EMTS-301	NS	090472	5	EMTS-301E2	NS	033611	8	EMTS-301E4TP	NS	061399	11
1	480	3	15	3	7-3/4	EMTS-301	NS	090480	5	EMTS-301E2	NS	033620	8	EMTS-301E4TP	NS	061401	11
2	240	3	15	3	17-3/4	EMTS-302	NS	090499	6	EMTS-302E2	NS	033638	9	EMTS-302E4TP	NS	061410	12
2	480	3	15	3	17-3/4	EMTS-302	NS	090501	6	EMTS-302E2	NS	033646	9	EMTS-302E4TP	NS	061428	12
3	240	3	15	3	24-7/8	EMTS-303	NS	091248	7	EMTS-303E2	NS	033654	10	EMTS-303E4TP	NS	061452	13
3	480	3	15	3	24-7/8	EMTS-303	NS	091256	7	EMTS-303E2	NS	033662	10	EMTS-303E4TP	NS	061460	13
4	240	3	15	3	32-7/16	EMTS-304	NS	091264	9	EMTS-304E2	NS	033670	12	EMTS-304E4TP	NS	061495	15
4	480	3	15	3	32-7/16	EMTS-304	NS	091272	9	EMTS-304E2	NS	033689	12	EMTS-304E4TP	NS	061508	15
5	240	3	15	3	40-3/8	EMTS-305	NS	091280	10	EMTS-305E2	NS	033697	13	EMTS-305E4TP	NS	061516	16
5	480	3	15	3	40-3/8	EMTS-305	NS	091299	10	EMTS-305E2	NS	033700	13	EMTS-305E4TP	NS	061524	16
6	240	3	15	3	47-7/8	EMTS-306	NS	091301	12	EMTS-306E2	NS	033718	15	EMTS-306E4TP	NS	061559	18
6	480	3	15	3	47-7/8	EMTS-306	NS	091310	12	EMTS-306E2	NS	033726	15	EMTS-306E4TP	NS	061567	18

Stock Status: S = stock NS = non-stock
 To Order—Specify model, volts, phase, kW, PCN and quantity.



1. Heaters with General Purpose Enclosures are UL Listed and CSA Certified.
2. Heaters with Moisture Resistant/Explosion Resistant Enclosures are CSA_{US} Certified.

Same-day shipping on stock item orders received before 4 pm CST.
 3-day shipping on assembly-stock items.