

# Immersion

## MTI-2 Solution Water Applications

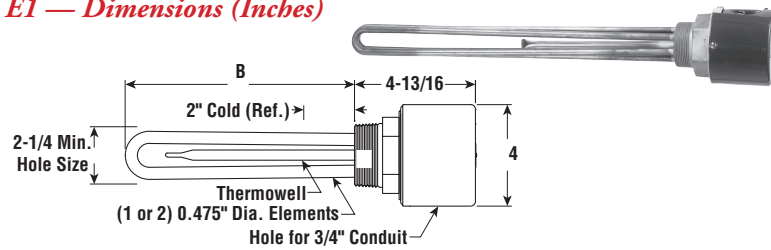
- 2" NPT Stainless Steel Screw Plug
- INCOLOY® Sheath Elements
- High Watt Density (46 - 52 W/in<sup>2</sup>)
- 1.5 - 15 kW
- Without Thermostat
- 120, 240 and 480 Volt, Single Phase
- General Purpose, Moisture Resistant/Explosion Resistant Terminal Enclosure or Moisture Resistant

**FASTShip**

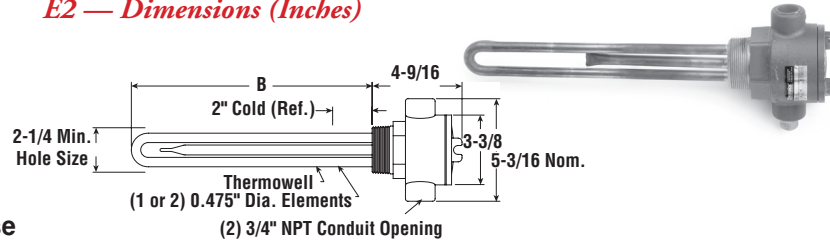
Same-day shipping on stock item orders received before 4 pm CST, 3-day shipping on assembly-stock items.

### Specifications and Ordering Information

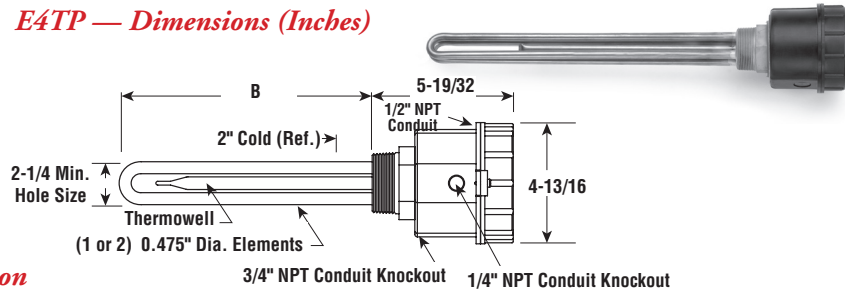
**E1 — Dimensions (Inches)**



**E2 — Dimensions (Inches)**



**E4TP — Dimensions (Inches)**



						E1 General Purpose <sup>1</sup>				E2 Moisture Resistant/ Explosion Resistant <sup>2</sup>				E4 Moisture Resistant			
kW	Volts	Phase	W/in <sup>2</sup>	No. Elem.	DIM B (In.)	Model	Stock	PCN	Wt. (Lbs.)	Model	Stock	PCN	Wt. (Lbs.)	Model	Stock	PCN	Wt. (Lbs.)
1.5	120	1	48	1	11-7/16	MTI-215A	NS	190262	3	MTI-215E2	NS	185420	6	MTI-215E4TP	NS	062551	9
1.5	240	1	48	1	11-7/16	MTI-215A	NS	190270	3	MTI-215E2	NS	185439	6	MTI-215E4TP	NS	062560	9
1.5	480	1	48	1	11-7/16	MTI-215A	NS	190289	3	MTI-215E2	NS	185447	6	MTI-215E4TP	NS	062578	9
2	120	1	48	1	17-1/2	MTI-220A	NS	190297	4	MTI-220E2	NS	185455	7	MTI-220E4TP	NS	062586	10
2	240	1	48	1	17-1/2	MTI-220A	NS	190300	4	MTI-220E2	NS	185463	7	MTI-220E4TP	NS	062594	10
2	480	1	48	1	17-1/2	MTI-220A	NS	190318	4	MTI-220E2	NS	185471	7	MTI-220E4TP	NS	062607	10
2	120	1	51	2	7-7/16	MTI-220-3A	NS	190326	4	MTI-220-3E2	NS	185480	7	MTI-220-3E4TP	NS	062615	10
2	240	1	51	2	7-7/16	MTI-220-3A	NS	190334	4	MTI-220-3E2	NS	185498	7	MTI-220-3E4TP	NS	062623	10
2	480	1	51	2	7-7/16	MTI-220-3A	NS	190342	4	MTI-220-3E2	NS	185500	7	MTI-220-3E4TP	NS	062631	10
2.5	120	1	52	2	8-1/2	MTI-225A	NS	190350	4	MTI-225E2	NS	185519	7	MTI-225E4TP	NS	062640	10
2.5	240	1	52	2	8-1/2	MTI-225A	NS	190369	4	MTI-225E2	NS	185527	7	MTI-225E4TP	NS	062658	10
2.5	480	1	52	2	8-1/2	MTI-225A	NS	190377	4	MTI-225E2	NS	185535	7	MTI-225E4TP	NS	062666	10
3	120	1	48	2	11-7/16	MTI-230A	NS	190385	5	MTI-230E2	NS	185543	8	MTI-230E4TP	NS	062674	11
3	240	1	48	2	11-7/16	MTI-230A	NS	190393	5	MTI-230E2	NS	185551	8	MTI-230E4TP	NS	062682	11
3	480	1	48	2	11-7/16	MTI-230A	NS	190406	5	MTI-230E2	NS	185560	8	MTI-230E4TP	NS	062690	11
4	120	1	48	2	17-1/2	MTI-240A	NS	190414	5	MTI-240E2	NS	185578	8	MTI-240E4TP	NS	062703	11
4	240	1	48	2	17-1/2	<b>MTI-240A</b>	<b>S</b>	<b>190422</b>	5	MTI-240E2	NS	185586	8	MTI-240E4TP	NS	062711	11
4	480	1	48	2	17-1/2	MTI-240A	NS	190430	5	MTI-240E2	NS	185594	8	MTI-240E4TP	NS	062720	11
5	120	1	47	2	19-1/4	MTI-250A	NS	190449	5	MTI-250E2	NS	185607	8	MTI-250E4TP	NS	062738	11
5	240	1	47	2	19-1/4	<b>MTI-250A</b>	<b>S</b>	<b>190457</b>	5	MTI-250E2	NS	185615	8	MTI-250E4TP	NS	062746	11
5	480	1	47	2	19-1/4	MTI-250A	NS	190465	5	MTI-250E2	NS	185623	8	MTI-250E4TP	NS	062754	11
6	240	1	47	2	24-19/32	MTI-260A	NS	190473	5	MTI-260E2	NS	185631	8	MTI-260E4TP	NS	062762	11
6	480	1	47	2	24-19/32	MTI-260A	NS	190481	5	MTI-260E2	NS	185640	8	MTI-260E4TP	NS	062770	11
7	240	1	49	2	27-1/2	MTI-270A	NS	190490	6	MTI-270E2	NS	185658	9	MTI-270E4TP	NS	062789	12
7	480	1	49	2	27-1/2	MTI-270A	NS	190502	6	MTI-270E2	NS	185666	9	MTI-270E4TP	NS	062797	12
10	240	1	46	2	40-1/32	MTI-2100A	NS	190510	8	MTI-2100E2	NS	185674	11	MTI-2100E4TP	NS	062498	14
10	480	1	46	2	40-1/32	MTI-2100A	NS	190529	8	MTI-2100E2	NS	185682	11	MTI-2100E4TP	NS	062500	14
12	240	1	46	2	47-9/16	MTI-2120A*	NS	190537	8	MTI-2120E2*	NS	185690	11	MTI-2120E4TP*	NS	062519	14
12	480	1	46	2	47-9/16	MTI-2120A	NS	190545	8	MTI-2120E2	NS	185703	11	MTI-2120E4TP	NS	062527	14
15	240	1	50	2	53-19/32	MTI-2150A*	NS	190553	8	MTI-2150E2*	NS	185711	11	MTI-2150E4TP*	NS	062535	14
15	480	1	50	2	53-19/32	MTI-2150A	NS	190561	8	MTI-2150E2	NS	185720	11	MTI-2150E4TP	NS	062543	14

**Stock Status:** S = stock NS = non-stock  
**To Order**—Specify model, volts, phase, kW, PCN and quantity.

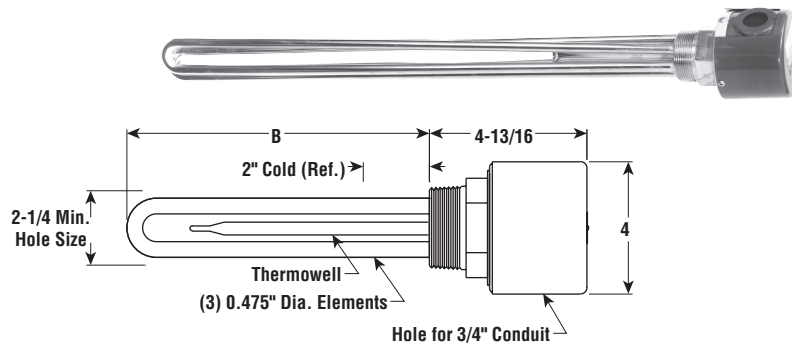
1. Heaters with General Purpose Enclosures are UL Listed and CSA Certified except Models with \*(Exceeds 48 Amps).
2. Heaters with Moisture Resistant/Explosion Resistant Enclosures are <sub>c</sub>CSA<sub>US</sub>® Certified except Models with \*(Exceeds 48 Amps).

# Immersion

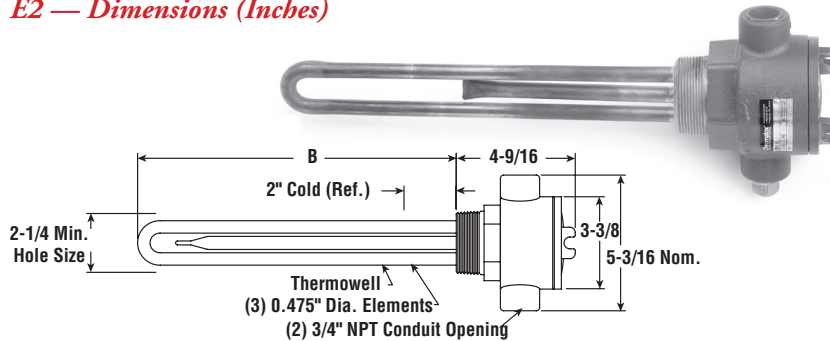
## EMTI-3 Solution Water Applications

- 2" NPT Stainless Steel Screw Plug
- INCOLOY® Sheath Elements
- High Watt Density (45 W/in<sup>2</sup>)
- 3 - 18 kW
- Without Thermostat
- 240 and 480 Volt, Three Phase
- General Purpose, Moisture Resistant/Explosion Resistant Terminal Enclosure, Moisture Resistant

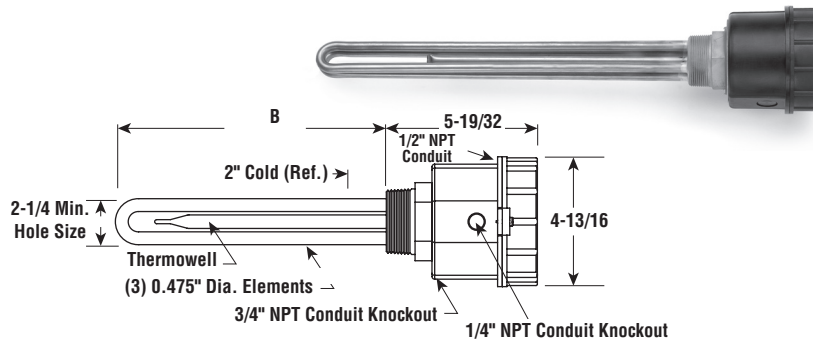
*E1 — Dimensions (Inches)*



*E2 — Dimensions (Inches)*



*E4TP — Dimensions (Inches)*



### Specifications and Ordering Information

						E1 General Purpose <sup>1</sup>				E2 Moisture Resistant/Explosion Resistant <sup>2</sup>				E4 Moisture Resistant			
kW	Volts	Phase	W/in <sup>2</sup>	No. Elem.	DIM B (In.)	Model	Stock	PCN	Wt. (Lbs.)	Model	Stock	PCN	Wt. (Lbs.)	Model	Stock	PCN	Wt. (Lbs.)
3	240	3	45	3	7-3/4	EMTI-330	NS	097877	5	EMTI-330E2	NS	032571	8	EMTI-330E4TP	NS	061030	11
3	480	3	45	3	7-3/4	EMTI-330	NS	097885	5	EMTI-330E2	NS	032580	8	EMTI-330E4TP	NS	061049	11
6	240	3	45	3	17-3/4	EMTI-360	NS	097893	6	EMTI-360E2	NS	032598	9	EMTI-360E4TP	NS	061057	12
6	480	3	45	3	17-3/4	EMTI-360	NS	097906	6	EMTI-360E2	NS	032600	9	EMTI-360E4TP	NS	061065	12
9	240	3	45	3	24-7/8	EMTI-390	NS	097914	7	EMTI-390E2	NS	032619	10	EMTI-390E4TP	NS	061073	13
9	480	3	45	3	24-7/8	EMTI-390	NS	097922	7	EMTI-390E2	NS	032627	10	EMTI-390E4TP	NS	061081	13
12	240	3	45	3	32-7/16	EMTI-3120	NS	097930	9	EMTI-3120E2	NS	032635	12	EMTI-3120E4TP	NS	060978	15
12	480	3	45	3	32-7/16	EMTI-3120	NS	097949	9	EMTI-3120E2	NS	032643	12	EMTI-3120E4TP	NS	060986	15
15	240	3	45	3	40-3/8	EMTI-3150	NS	097957	10	EMTI-3150E2	NS	032651	13	EMTI-3150E4TP	NS	060994	16
15	480	3	45	3	40-3/8	EMTI-3150	NS	097965	10	EMTI-3150E2	NS	032660	13	EMTI-3150E4TP	NS	061006	16
18	240	3	45	3	47-7/8	EMTI-3180	NS	097973	12	EMTI-3180E2	NS	032678	15	EMTI-3180E4TP	NS	061014	18
18	480	3	45	3	47-7/8	EMTI-3180	NS	097981	12	EMTI-3180E2	NS	032686	15	EMTI-3180E4TP	NS	061022	18

**Stock Status:** S = stock NS = non-stock  
**To Order**—Specify model, volts, phase, kW, PCN and quantity.



Same-day shipping on stock item orders received before 4 pm CST.  
 3-day shipping on assembly-stock items.

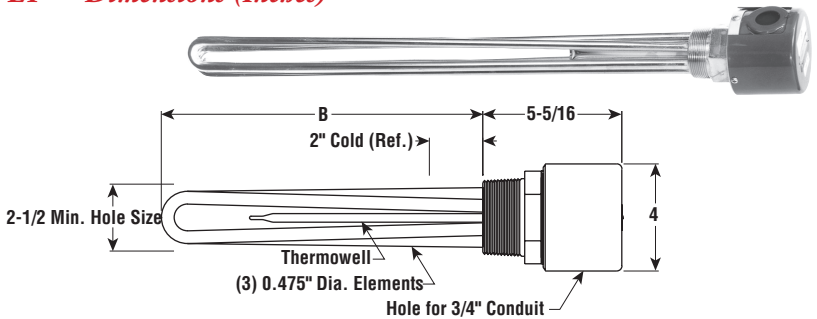
1. Heaters with General Purpose Enclosures are UL Listed and CSA Certified.
2. Heaters with Moisture Resistant/Explosion Resistant Enclosures are cCSA<sub>US</sub>® Certified.

# Immersion

## MTI-3 Solution Water Applications

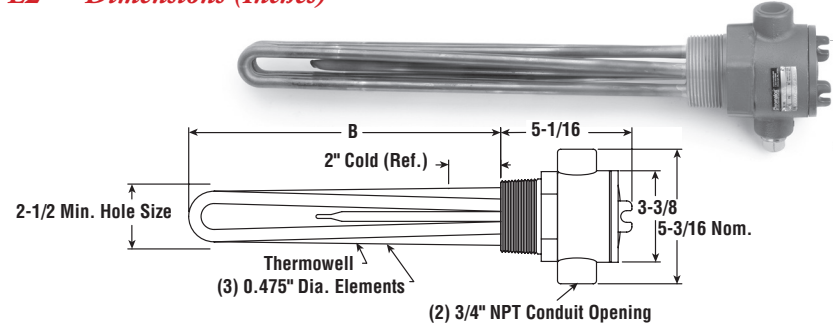
- 2-1/2" NPT Stainless Steel Screw Plug
- INCOLOY® Sheath Elements
- High Watt Density (46 - 53 W/In<sup>2</sup>)
- 3 - 18 kW
- Without Thermostat
- 240 and 480 Volt, Three Phase
- General Purpose, Moisture Resistant/Explosion Resistant Terminal Enclosure or Moisture Resistant

E1 — Dimensions (Inches)

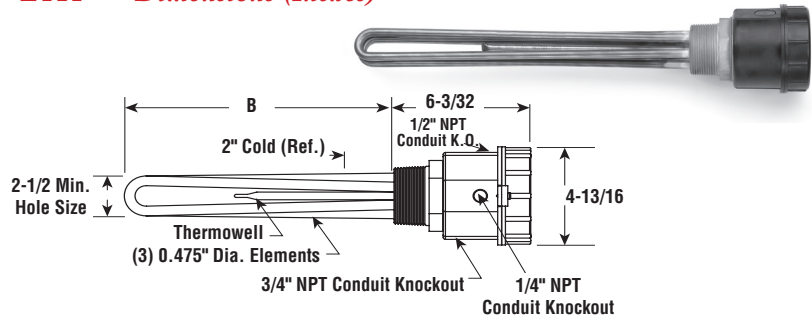


SCREW PLUG

E2 — Dimensions (Inches)



E4TP — Dimensions (Inches)



### Specifications and Ordering Information

						E1 General Purpose <sup>1</sup>				E2 Moisture Resistant/ Explosion Resistant <sup>2</sup>				E4 Moisture Resistant			
kW	Volts	Phase	W/In <sup>2</sup>	No. Elem.	DIM B (In.)	Model	Stock	PCN	Wt. (Lbs.)	Model	Stock	PCN	Wt. (Lbs.)	Model	Stock	PCN	Wt. (Lbs.)
3	240	3	51	3	6-7/8	MTI-330A	NS	187661	5	MTI-330E2	NS	187670	8	MTI-330E4TP	NS	064320	11
3	480	3	51	3	6-7/8	MTI-330A	NS	187688	5	MTI-330E2	NS	187696	8	MTI-330E4TP	NS	064338	11
4.5	240	3	48	3	10-7/8	MTI-345A	NS	187709	6	MTI-345E2	NS	187717	9	MTI-345E4TP	NS	064346	12
4.5	480	3	48	3	10-7/8	MTI-345A	NS	187725	6	MTI-345E2	NS	187733	9	MTI-345E4TP	NS	064354	12
6	240	3	48	3	17-1/8	MTI-360A	NS	187741	6	MTI-360E2	NS	187750	9	MTI-360E4TP	NS	064362	12
6	480	3	48	3	17-1/8	MTI-360A	NS	187768	6	MTI-360E2	NS	187776	9	MTI-360E4TP	NS	064370	12
7.5	240	3	53	3	19-1/8	MTI-375A	NS	187784	6	MTI-375E2	NS	187792	9	MTI-375E4TP	NS	064389	12
7.5	480	3	53	3	19-1/8	MTI-375A	NS	187805	6	MTI-375E2	NS	187813	9	MTI-375E4TP	NS	064397	12
9	240	3	47	3	24-1/2	MTI-390A	NS	187821	7	MTI-390E2	NS	187830	10	MTI-390E4TP	NS	064400	13
9	480	3	47	3	24-1/2	MTI-390A	NS	187848	7	MTI-390E2	NS	187856	10	MTI-390E4TP	NS	064418	13
12	240	3	46	3	32-1/4	MTI-3120A	NS	187864	9	MTI-3120E2	NS	187872	12	MTI-3120E4TP	NS	064266	15
12	480	3	46	3	32-1/4	MTI-3120A	NS	187880	9	MTI-3120E2	NS	187899	12	MTI-3120E4TP	NS	064274	15
15	240	3	46	3	39-3/8	MTI-3150A	NS	187901	10	MTI-3150E2	NS	187910	13	MTI-3150E4TP	NS	064282	16
15	480	3	46	3	39-3/8	MTI-3150A	NS	187928	10	MTI-3150E2	NS	187936	13	MTI-3150E4TP	NS	064290	16
18	240	3	51	3	47-3/8	MTI-3180A	NS	187944	12	MTI-3180E2	NS	187952	15	MTI-3180E4TP	NS	064303	18
18	480	3	51	3	47-3/8	MTI-3180A	NS	187960	12	MTI-3180E2	NS	187979	15	MTI-3180E4TP	NS	064311	18

Stock Status: S = stock NS = non-stock  
To Order—Specify model, volts, phase, kW, PCN and quantity.

1. Heaters with General Purpose Enclosures are UL Listed and CSA Certified.
2. Heaters with Moisture Resistant/Explosion Resistant Enclosures are CSA<sup>US</sup> Certified.



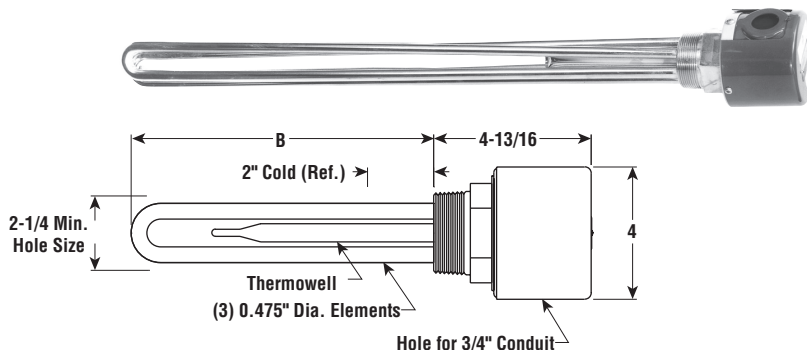
Same-day shipping on stock item orders received before 4 pm CST. 3-day shipping on assembly-stock items.

# Immersion

## EMTI-3 Mildly Corrosive Solution Applications

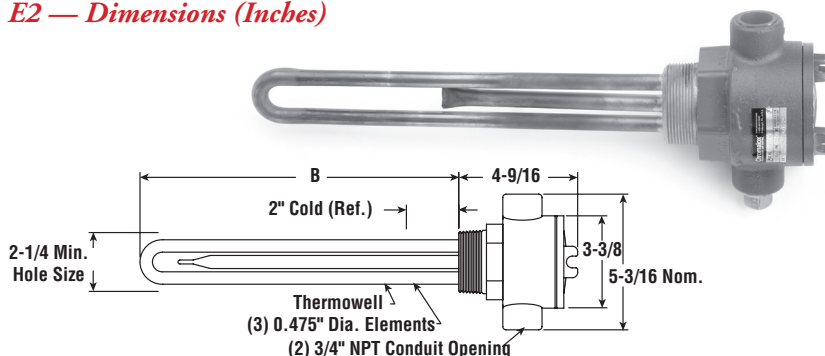
- 2" NPT Stainless Steel Screw Plug
- INCOLOY® Sheath Elements
- Medium Watt Density (23 W/In<sup>2</sup>)
- 3 - 9 kW
- Without Thermostat
- 240 and 480 Volt, Three Phase
- General Purpose, Moisture Resistant/Explosion Resistant Terminal Enclosure or Moisture Resistant

E1 — Dimensions (Inches)

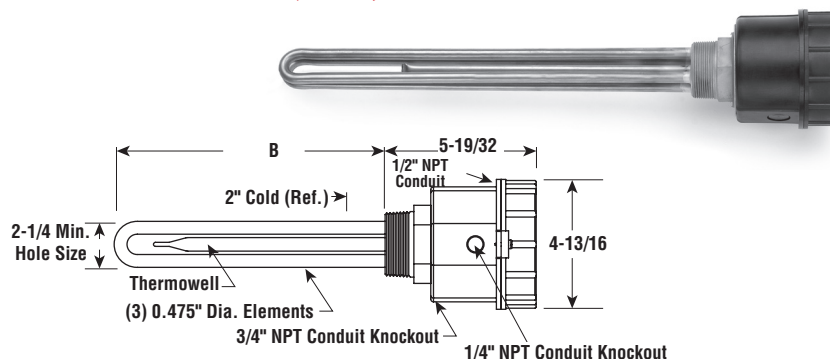


SCREW PLUG

E2 — Dimensions (Inches)



E4TP — Dimensions (Inches)



### Specifications and Ordering Information

						E1 General Purpose <sup>1</sup>				E2 Moisture Resistant/ Explosion Resistant <sup>2</sup>				E4 Moisture Resistant			
kW	Volts	Phase	W/In <sup>2</sup>	No. Elem.	DIM B (In.)	Model	Stock	PCN	Wt. (Lbs.)	Model	Stock	PCN	Wt. (Lbs.)	Model	Stock	PCN	Wt. (Lbs.)
3	240	3	23	3	17-3/4	EMTI-3030	NS	091889	6	EMTI-3030E2	NS	033291	9	EMTI-3030E4TP	NS	060791	12
3	480	3	23	3	17-3/4	EMTI-3030	NS	091897	6	EMTI-3030E2	NS	033304	9	EMTI-3030E4TP	NS	060804	12
4.5	240	3	23	3	24-7/8	EMTI-3045	NS	091900	7	EMTI-3045E2	NS	033312	10	EMTI-3045E4TP	NS	060839	13
4.5	480	3	23	3	24-7/8	EMTI-3045	NS	091918	7	EMTI-3045E2	NS	033320	10	EMTI-3045E4TP	NS	060847	13
6	240	3	23	3	32-7/16	EMTI-3060	NS	091926	9	EMTI-3060E2	NS	033339	12	EMTI-3060E4TP	NS	060898	15
6	480	3	23	3	32-7/16	EMTI-3060	NS	091934	9	EMTI-3060E2	NS	033347	12	EMTI-3060E4TP	NS	060900	15
7.5	240	3	23	3	40-3/8	EMTI-3075	NS	091942	10	EMTI-3075E2	NS	033355	13	EMTI-3075E4TP	NS	060935	16
7.5	480	3	23	3	40-3/8	EMTI-3075	NS	091950	10	EMTI-3075E2	NS	033363	13	EMTI-3075E4TP	NS	060943	16
9	240	3	23	3	47-7/8	EMTI-3090	NS	091969	12	EMTI-3090E2	NS	033371	15	EMTI-3090E4TP	NS	060951	18
9	480	3	23	3	47-7/8	EMTI-3090	NS	091977	12	EMTI-3090E2	NS	033380	15	EMTI-3090E4TP	NS	060960	18

**Stock Status:** S = stock NS = non-stock  
**To Order**—Specify model, volts, phase, kW, PCN and quantity.

1. Heaters with General Purpose Enclosures are UL Listed and CSA Certified.
2. Heaters with Moisture Resistant/Explosion Resistant Enclosures are cCSA<sub>US</sub>® Certified.

**FASTShip**

Same-day shipping on stock item orders received before 4 pm CST.  
 3-day shipping on assembly-stock items.

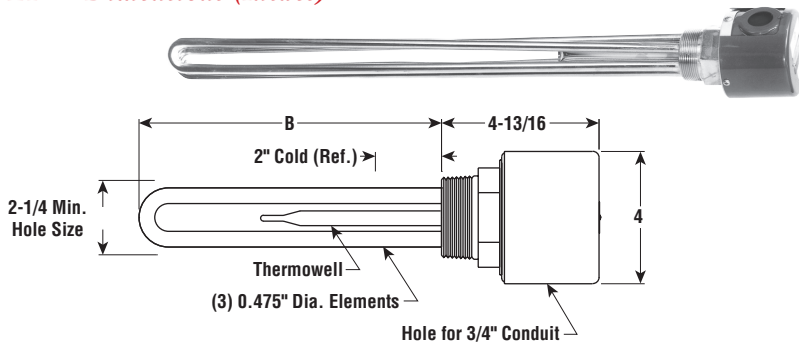
# Immersion

## EMTI-3

### Severely Corrosive Solution Applications

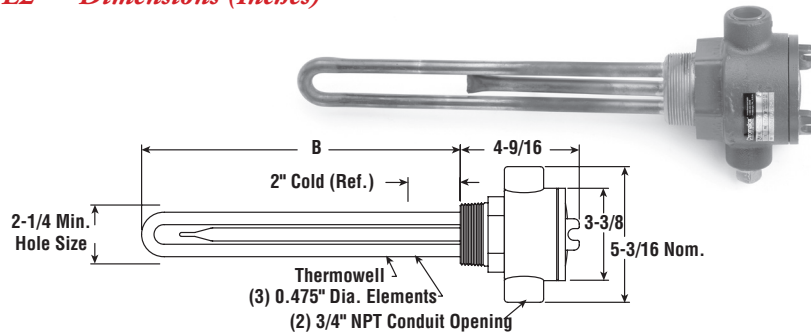
- 2" NPT Stainless Steel Screw Plug
- INCOLOY® Sheath Elements
- Low Watt Density (15 W/In<sup>2</sup>)
- 1 - 6 kW
- Without Thermostat
- 240 and 480 Volt, Three Phase
- General Purpose, Moisture Resistant/Explosion Resistant Terminal Enclosure or Moisture Resistant

E1 — Dimensions (Inches)

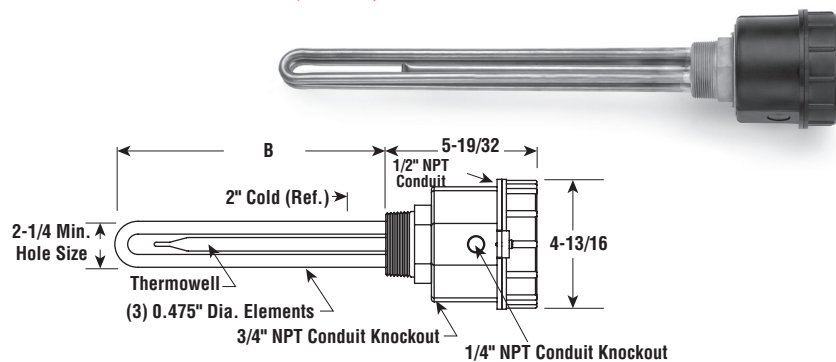


SCREW PLUG

E2 — Dimensions (Inches)



E4TP — Dimensions (Inches)



### Specifications and Ordering Information

						E1 General Purpose <sup>1</sup>				E2 Moisture Resistant/Explosion Resistant <sup>2</sup>				E4 Moisture Resistant			
kW	Volts	Phase	W/In <sup>2</sup>	No. Elem.	DIM B (In.)	Model	Stock	PCN	Wt. (Lbs.)	Model	Stock	PCN	Wt. (Lbs.)	Model	Stock	PCN	Wt. (Lbs.)
1	240	3	15	3	7-3/4	EMTI-301	NS	091440	5	EMTI-301E2	NS	033494	8	EMTI-301E4TP	NS	060759	11
1	480	3	15	3	7-3/4	EMTI-301	NS	091459	5	EMTI-301E2	NS	033507	8	EMTI-301E4TP	NS	060767	11
2	240	3	15	3	17-3/4	EMTI-302	NS	091467	6	EMTI-302E2	NS	033515	9	EMTI-302E4TP	NS	060775	12
2	480	3	15	3	17-3/4	EMTI-302	NS	091475	6	EMTI-302E2	NS	033523	9	EMTI-302E4TP	NS	060783	12
3	240	3	15	3	24-7/8	EMTI-303	NS	091483	7	EMTI-303E2	NS	033531	10	EMTI-303E4TP	NS	060812	13
3	480	3	15	3	24-7/8	EMTI-303	NS	091491	7	EMTI-303E2	NS	033540	10	EMTI-303E4TP	NS	060820	13
4	240	3	15	3	32-7/16	EMTI-304	NS	091504	9	EMTI-304E2	NS	033558	12	EMTI-304E4TP	NS	060855	15
4	480	3	15	3	32-7/16	EMTI-304	NS	091512	9	EMTI-304E2	NS	033566	12	EMTI-304E4TP	NS	060867	15
5	240	3	15	3	40-3/8	EMTI-305	NS	091520	10	EMTI-305E2	NS	033574	13	EMTI-305E4TP	NS	060871	16
5	480	3	15	3	40-3/8	EMTI-305	NS	091539	10	EMTI-305E2	NS	033582	13	EMTI-305E4TP	NS	060880	16
6	240	3	15	3	47-7/8	EMTI-306	NS	091547	12	EMTI-306E2	NS	033590	15	EMTI-306E4TP	NS	060919	18
6	480	3	15	3	47-7/8	EMTI-306	NS	091555	12	EMTI-306E2	NS	033603	15	EMTI-306E4TP	NS	060927	18

Stock Status: S = stock NS = non-stock  
 To Order—Specify model, volts, phase, kW, PCN and quantity.

1. Heaters with General Purpose Enclosures are UL Listed and CSA Certified.  
 2. Heaters with Moisture Resistant/Explosion Resistant Enclosures are cCSA<sub>US</sub>® Certified.



Same-day shipping on stock item orders received before 4 pm CST.  
 3-day shipping on assembly-stock items.