

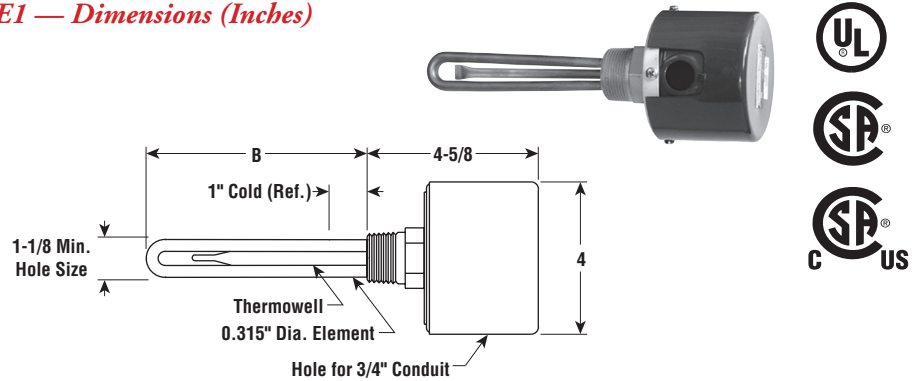
Immersion

MT

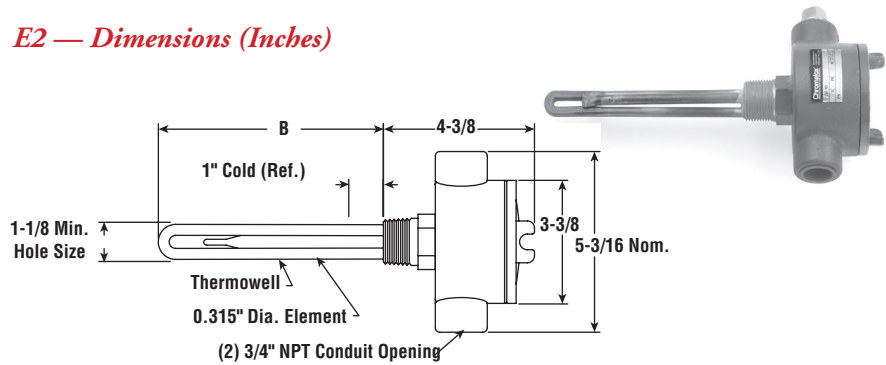
Clean Water Applications

- 1" NPT Brass Screw Plug
- Copper Sheath Element
- High Watt Density (64 - 86 W/in²)
- 0.75 - 3 kW
- Without Thermostat
- 120 and 240 Volt, Single Phase
- General Purpose, Moisture Resistant/Explosion Resistant Terminal Enclosure, or Moisture Resistant

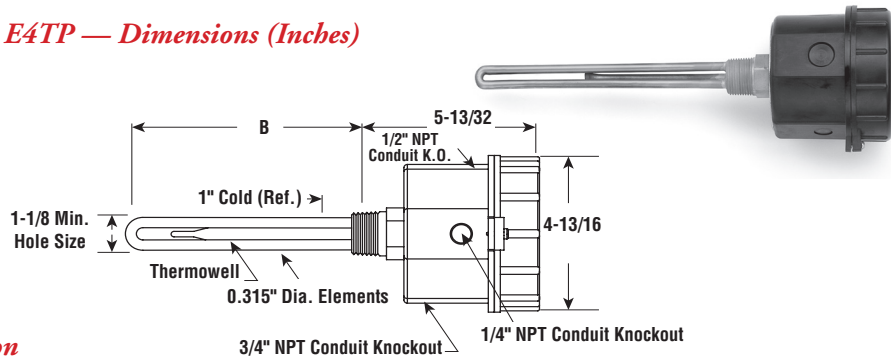
E1 — Dimensions (Inches)



E2 — Dimensions (Inches)



E4TP — Dimensions (Inches)



Specifications and Ordering Information

						E1 General Purpose ¹				E2 Moisture Resistant/ Explosion Resistant ²				E4 Moisture Resistant			
kW	Volts	Phase	W/in ²	No. Elem.	DIM B (In.)	Model	Stock	PCN	Wt. (Lbs.)	Model	Stock	PCN	Wt. (Lbs.)	Model	Stock	PCN	Wt. (Lbs.)
0.75	120	1	64	1	6-5/16	MT-750	AS	036281	2	MT-750E2	NS	036425	5	MT-750E4TP	NS	060003	2
0.75	240	1	64	1	6-5/16	MT-750	AS	036290	2	MT-750E2	NS	036433	5	MT-750E4TP	NS	060011	2
1	120	1	85	1	6-5/16	MT-1000	AS	036302	2	MT-1000E2	NS	036441	5	MT-1000E4TP	NS	060020	2
1	240	1	85	1	6-5/16	MT-1000	AS	036310	2	MT-1000E2	NS	036450	5	MT-1000E4TP	NS	060038	2
1.25	120	1	83	1	8-1/16	MT-1250	AS	036329	2	MT-1250E2	NS	036468	5	MT-1250E4TP	NS	060046	2
1.25	240	1	83	1	8-1/16	MT-1250	AS	036337	2	MT-1250E2	NS	036476	5	MT-1250E4TP	NS	060054	2
1.5	120	1	86	1	9-1/4	MT-1500	AS	036345	2	MT-1500E2	NS	036484	5	MT-1500E4TP	NS	060062	2
1.5	240	1	86	1	9-1/4	MT-1500	AS	036353	2	MT-1500E2	NS	036492	5	MT-1500E4TP	NS	060070	2
2	120	1	83	1	12-1/4	MT-2000	AS	036361	2	MT-2000E2	NS	036505	5	MT-2000E4TP	NS	060089	2
2	240	1	83	1	12-1/4	MT-2000	AS	036370	2	MT-2000E2	NS	036513	5	MT-2000E4TP	NS	060097	2
2.5	120	1	79	1	16-1/4	MT-2500	AS	036388	2	MT-2500E2	NS	036521	5	MT-2500E4TP	NS	060100	2
2.5	240	1	79	1	16-1/4	MT-2500	AS	036396	2	MT-2500E2	NS	036530	5	MT-2500E4TP	NS	060118	2
3	120	1	78	1	19-7/8	MT-3000	AS	036409	3	MT-3000E2	NS	036548	6	MT-3000E4TP	NS	060126	3
3	240	1	78	1	19-7/8	MT-3000	AS	036417	3	MT-3000E2	NS	036556	6	MT-3000E4TP	NS	060134	3

Stock Status: S = stock NS = non-stock
To Order—Specify model, volts, phase, kW, PCN and quantity.

1. Heaters with General Purpose Enclosures are UL Listed and CSA Certified.
2. Heaters with Moisture Resistant/Explosion Resistant Enclosures are CSA_{US}® Certified.

FASTShip

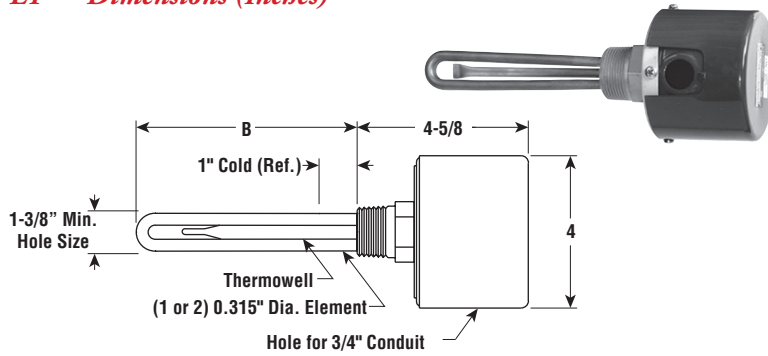
Same-day shipping on stock item orders received before 4 pm CST. 3-day shipping on assembly-stock items.

"Under the U.S. Federal Safe Drinking Water Act, it is unlawful to install or use this product in any service that comes into contact with water for human consumption (including drinking, food or beverage preparation, hand washing, or teeth brushing). This product is intended exclusively for use in non-potable service."

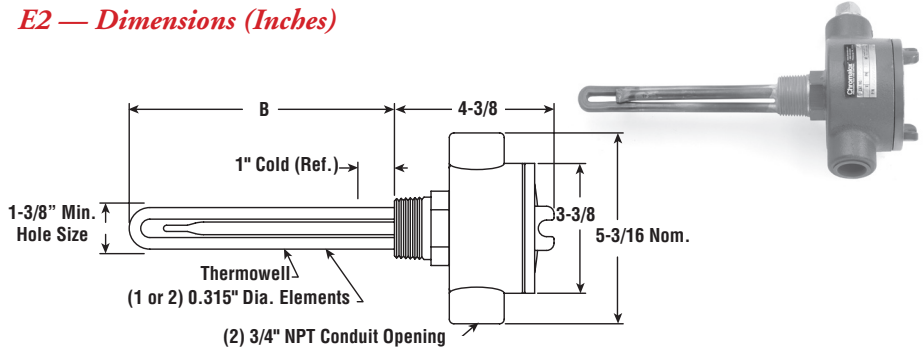
MT-1 Clean Water Applications

- 1-1/4" NPT Brass Screw Plug
- Copper Sheath Elements
- High Watt Density (53 - 86 W/in²)
- 0.6 - 2 kW
- Without Thermostat
- 120 and 240 Volt, Single Phase
- General Purpose, Moisture Resistant/Explosion Resistant Terminal Enclosure, or Moisture Resistant

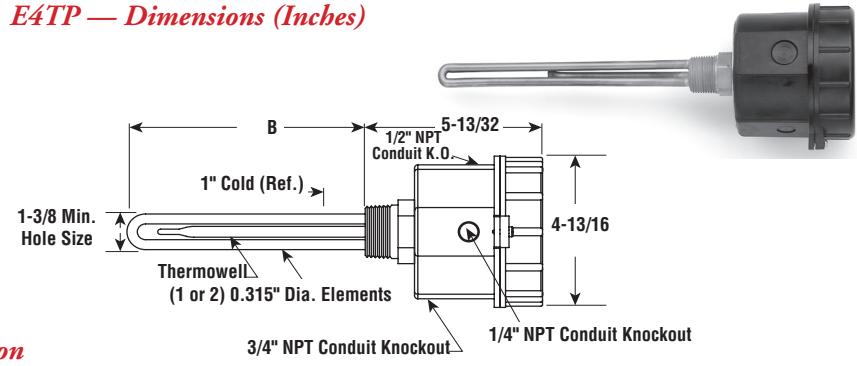
E1 — Dimensions (Inches)



E2 — Dimensions (Inches)



E4TP — Dimensions (Inches)



Specifications and Ordering Information

						E1 General Purpose ¹				E2 Moisture Resistant/ Explosion Resistant ²				E4 Moisture Resistant			
kW	Volts	Phase	W/in ²	No. Elem.	DIM B (In.)	Model	Stock	PCN	Wt. (Lbs.)	Model	Stock	PCN	Wt. (Lbs.)	Model	Stock	PCN	Wt. (Lbs.)
0.6	120	1	53	1	6	MT-160A	S	139310	1	MT-160E2	NS	288104	4	MT-160E4TP	NS	060476	1
0.6	240	1	53	1	6	MT-160A	NS	139328	1	MT-160E2	NS	288112	4	MT-160E4TP	NS	060484	1
0.75	120	1	65	1	6	MT-175A	S	139336	1	MT-175E2	NS	288120	4	MT-175E4TP	NS	060492	1
0.75	240	1	65	1	6	MT-175A	S	139344	1	MT-175E2	NS	288139	4	MT-175E4TP	NS	060505	1
1	120	1	86	1	6	MT-110A	S	139352	1	MT-110E2	S	288147	4	MT-110E4TP	NS	060396	1
1	240	1	86	1	6	MT-110A	S	139360	1	MT-110E2	NS	288155	4	MT-110E4TP	NS	060409	1
1	120	1	43	2	6	MT-110-3A	NS	139379	2	MT-110-3E2	NS	288163	5	MT-110-3E4TP	NS	060370	2
1	240	1	43	2	6	MT-110-3A	S	139387	2	MT-110-3E2	NS	288171	5	MT-110-3E4TP	NS	060388	2
1.2	120	1	53	2	6	MT-112A	NS	139395	2	MT-112E2	NS	288180	5	MT-112E4TP	NS	060417	2
1.2	240	1	53	2	6	MT-112A	NS	139408	2	MT-112E2	NS	288198	5	MT-112E4TP	NS	060425	2
1.5	120	1	65	2	6	MT-115A	S	139416	2	MT-115E2	NS	288200	5	MT-115E4TP	NS	060433	2
1.5	240	1	65	2	6	MT-115A	S	139424	2	MT-115E2	NS	288219	5	MT-115E4TP	NS	060441	2
2	120	1	86	2	6	MT-120A	S	139432	2	MT-120E2	NS	288227	5	MT-120E4TP	NS	060450	2
2	240	1	86	2	6	MT-120A	S	139440	2	MT-120E2	NS	288235	5	MT-120E4TP	NS	060468	2

Stock Status: S = stock NS = non-stock
To Order—Specify model, volts, phase, kW, PCN and quantity.

1. Heaters with General Purpose Enclosures are UL Listed and CSA Certified.
2. Heaters with Moisture Resistant/Explosion Resistant Enclosures are cCSA_{US}® Certified.

Other Note — 4 - 6 kW and above available. Contact your Local Chromalox Sales office.



Same-day shipping on stock item orders received before 4 pm CST.
 3-day shipping on assembly-stock items.

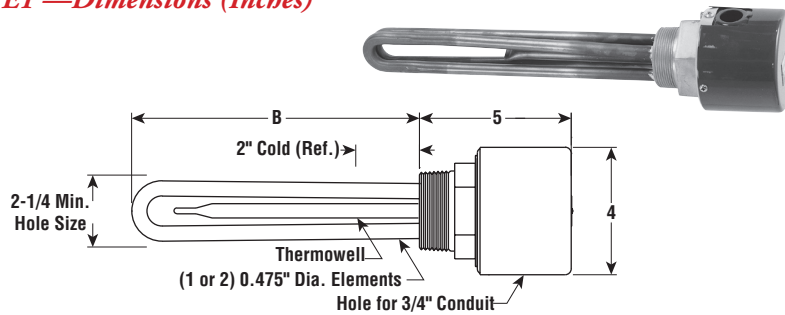
"Under the U.S. Federal Safe Drinking Water Act, it is unlawful to install or use this product in any service that comes into contact with water for human consumption (including drinking, food or beverage preparation, hand washing, or teeth brushing). This product is intended exclusively for use in non-potable service."

Immersion

MT-2 Clean Water Applications

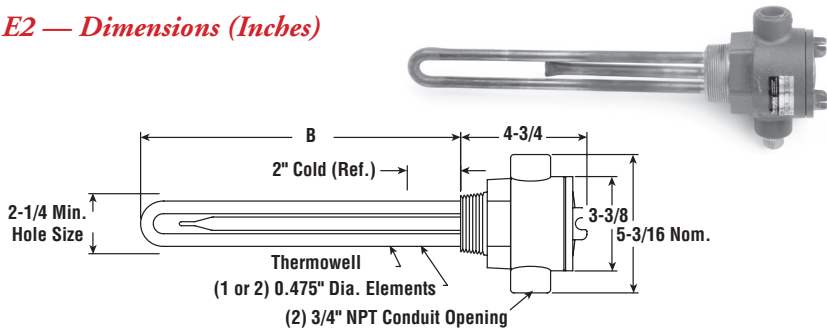
- 2" NPT Brass Screw Plug
- Copper Sheath Elements
- High Watt Density (46 - 53 W/In²)
- 1.5 - 15 kW
- Without Thermostat
- 120, 208, 240 and 480 Volt, Single Phase
- General Purpose, Moisture Resistant/Explosion Resistant Terminal Enclosure or Moisture Resistant

E1 — Dimensions (Inches)

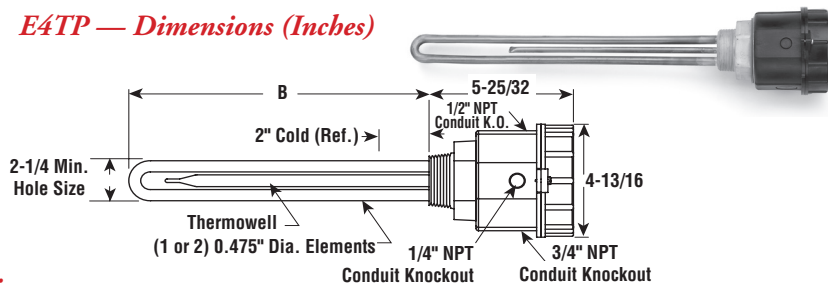


SCREW PLUG

E2 — Dimensions (Inches)



E4TP — Dimensions (Inches)



FASTShip
Same-day shipping on stock item orders received before 4 pm CST. 3-day shipping on assembly-stock items.

Specifications and Ordering Information

						E1 General Purpose ¹				E2 Moisture Resistant/Explosion Resistant ²				E4 Moisture Resistant			
kW	Volts	Phase	W/In ²	No. Elem.	DIM B (In.)	Model	Stock	PCN	Wt. (Lbs.)	Model	Stock	PCN	Wt. (Lbs.)	Model	Stock	PCN	Wt. (Lbs.)
1.5	120	1	48	1	12	MT-215A	S	139459	3	MT-215E2	NS	288243	6	MT-215E4TP	NS	062164	3
1.5	240	1	48	1	12	MT-215A	NS	139467	3	MT-215E2	NS	288251	6	MT-215E4TP	NS	062172	3
1.5	480	1	48	1	12	MT-215A	S	139475	3	MT-215E2	NS	295005	6	MT-215E4TP	NS	062180	3
1.5	208	1	48	1	12	MT-215A	NS	295275	3	MT-215E2	NS	295283	6	MT-215E4TP	NS	062199	3
2	120	1	48	1	18	MT-220A	S	139483	3	MT-220E2	NS	295013	6	MT-220E4TP	NS	062244	3
2	240	1	48	1	18	MT-220A	S	139491	3	MT-220E2	NS	295048	6	MT-220E4TP	NS	062252	3
2	480	1	48	1	18	MT-220A	S	139504	3	MT-220E2	NS	295056	6	MT-220E4TP	NS	062260	3
2	208	1	48	1	18	MT-220A	NS	295021	3	MT-220E2	NS	295030	6	MT-220E4TP	NS	062279	3
2	120	1	51	2	8	MT-220-3A	NS	139512	3	MT-220-3E2	NS	288260	6	MT-220-3E4TP	NS	062201	3
2	240	1	51	2	8	MT-220-3A	NS	139520	3	MT-220-3E2	NS	288278	6	MT-220-3E4TP	NS	062210	3
2	480	1	51	2	8	MT-220-3A	NS	139539	3	MT-220-3E2	NS	288286	6	MT-220-3E4TP	NS	062228	3
2	208	1	51	2	8	MT-220-3A	NS	295064	3	MT-220-3E2	NS	295072	6	MT-220-3E4TP	NS	062236	3
2.5	120	1	48	2	9-1/2	MT-225A	NS	139547	3	MT-225E2	NS	295080	6	MT-225E4TP	NS	062287	3
2.5	240	1	48	2	9-1/2	MT-225A	S	139555	3	MT-225E2	NS	288294	6	MT-225E4TP	NS	062295	3
2.5	480	1	48	2	9-1/2	MT-225A	NS	139563	3	MT-225E2	NS	288307	6	MT-225E4TP	NS	062308	3
2.5	208	1	48	2	9-1/2	MT-225A	NS	295099	3	MT-225E2	NS	295101	6	MT-225E4TP	NS	062316	3
3	120	1	48	2	12	MT-230A	S	139571	4	MT-230E2	NS	288315	7	MT-230E4TP	NS	062324	4
3	240	1	48	2	12	MT-230A	S	139580	4	MT-230E2	S	288323	7	MT-230E4TP	NS	062332	4
3	480	1	48	2	12	MT-230A	NS	139598	4	MT-230E2	NS	288331	7	MT-230E4TP	NS	062340	4
3	208	1	48	2	12	MT-230A	NS	295110	4	MT-230E2	NS	295128	7	MT-230E4TP	NS	062359	4
4	120	1	48	2	18	MT-240A	NS	139600	4	—	—	—	—	—	—	—	4
4	240	1	48	2	18	MT-240A	NS	139619	4	MT-240E2	NS	288340	7	MT-240E4TP	NS	062375	4
4	480	1	48	2	18	MT-240A	S	139627	4	MT-240E2	S	288358	7	MT-240E4TP	NS	062383	4
4	208	1	48	2	18	MT-240A	NS	295136	4	MT-240E2	NS	295144	7	MT-240E4TP	NS	062391	4
5	120	1	53	2	19-13/16	MT-250A	NS	139635	5	—	—	—	—	—	—	—	5
5	240	1	53	2	19-13/16	MT-250A	S	139643	5	MT-250E2	NS	288366	8	MT-250E4TP	NS	062412	5
5	480	1	53	2	19-13/16	MT-250A	S	139651	5	MT-250E2	S	288374	8	MT-250E4TP	NS	062420	5
5	208	1	53	2	19-13/16	MT-250A	NS	295152	5	MT-250E2	NS	295160	8	MT-250E4TP	NS	062439	5

¹Under the U.S. Federal Safe Drinking Water Act, it is unlawful to install or use this product in any service that comes into contact with water for human consumption (including drinking, food or beverage preparation, hand washing, or teeth brushing). This product is intended exclusively for use in non-potable service.

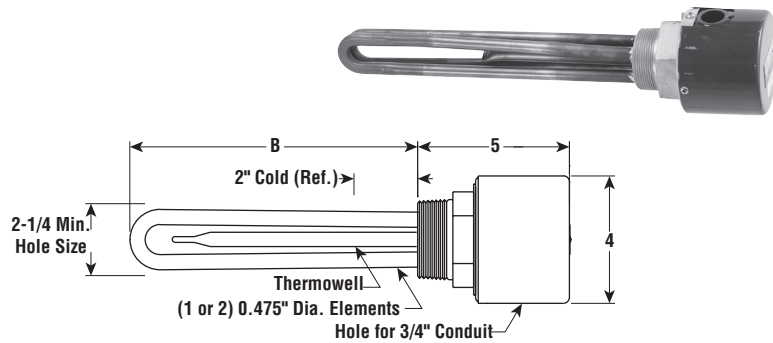
Immersion

MT-2

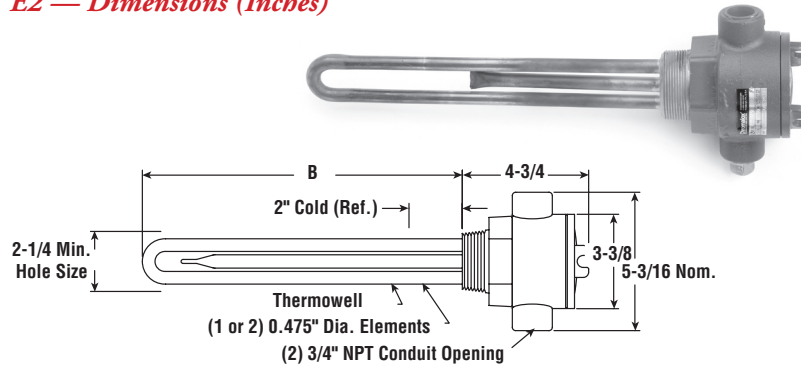
Clean Water Applications (cont'd.)

- 2" NPT Brass Screw Plug
- Copper Sheath Elements
- High Watt Density (46 - 53 W/In²)
- 1.5 - 15 kW
- Without Thermostat
- 120, 208, 240 and 480 Volt, Single Phase
- General Purpose, Moisture Resistant/Explosion Resistant Terminal Enclosure or Moisture Resistant

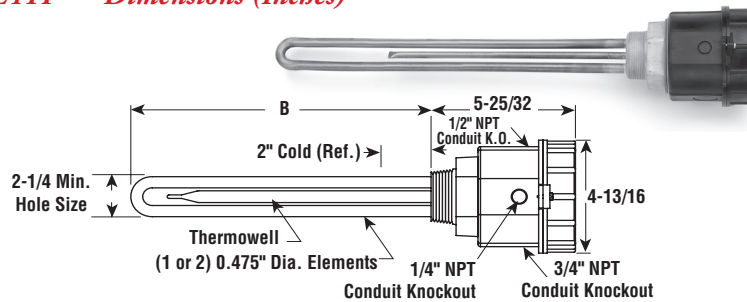
E1 — Dimensions (Inches)



E2 — Dimensions (Inches)



E4TP — Dimensions (Inches)



Specifications and Ordering Information

						E1 General Purpose ¹					E2 Moisture Resistant/ Explosion Resistant ²				E4 Moisture Resistant			
kW	Volts	Phase	W/In ²	No. Elem.	DIM B (In.)	Model	Stock	PCN	Wt. (Lbs.)	Model	Stock	PCN	Wt. (Lbs.)	Model	Stock	PCN	Wt. (Lbs.)	
6	240	1	47	2	25-1/8	MT-260A	S	139660	5	MT-260E2	NS	288382	8	MT-260E4TP	NS	062447	5	
6	480	1	47	2	25-1/8	MT-260A	S	139678	5	MT-260E2	NS	295390	8	MT-260E4TP	NS	062455	5	
6	208	1	47	2	25-1/8	MT-260A	NS	295179	5	MT-260E2	NS	288187	8	MT-260E4TP	NS	062463	5	
7	240	1	49	2	28	MT-270A	S	139686	6	MT-270E2	NS	288403	9	MT-270E4TP	NS	062471	6	
7	480	1	49	2	28	MT-270A	S	139694	6	MT-270E2	S	288411	9	MT-270E4TP	NS	062480	6	
10	240	1	46	2	40-1/2	MT-2100A	S	139707	7	MT-2100E2	NS	288420	10	MT-2100E4TP	NS	062084	7	
10	480	1	46	2	40-1/2	MT-2100A	S	139715	7	MT-2100E2	NS	288438	10	MT-2100E4TP	NS	062092	7	
10	208	1	46	2	40-1/2	MT-2100A	NS	295195	7	MT-2100E2	NS	295208	10	MT-2100E4TP	NS	062105	7	
12	240	1	46	2	48	MT-2120A*	NS	295232	8	MT-2120E2*	NS	295240	11	MT-2120E4TP*	NS	062121	8	
12	480	1	46	2	48	MT-2120A	NS	295259	8	MT-2120E2	NS	295267	11	MT-2120E4TP*	NS	062130	8	
12	208	1	46	2	48	MT-2120A*	NS	295216	8	MT-2120E2*	NS	295224	11	MT-2120E4TP	NS	062113	8	
15	240	1	50	2	54	MT-2150A*	NS	295312	9	MT-2150E2*	NS	295339	12	MT-2150E4TP*	NS	062148	9	
15	480	1	50	2	54	MT-2150A	NS	295320	9	MT-2150E2	NS	295347	12	MT-2150E4TP	NS	062156	9	

To Order—Specify model, volts, phase, kW, PCN and quantity.

1. Heaters with General Purpose Enclosures are UL Listed and CSA Certified except Models with *(Exceeds 48 Amps).
2. Heaters with Moisture Resistant/Explosion Resistant Enclosures are cCSA_{US}® Certified except Models with *(Exceeds 48 Amps).

FASTShipSM

Same-day shipping on stock item orders received before 4 pm CST. 3-day shipping on assembly-stock items.

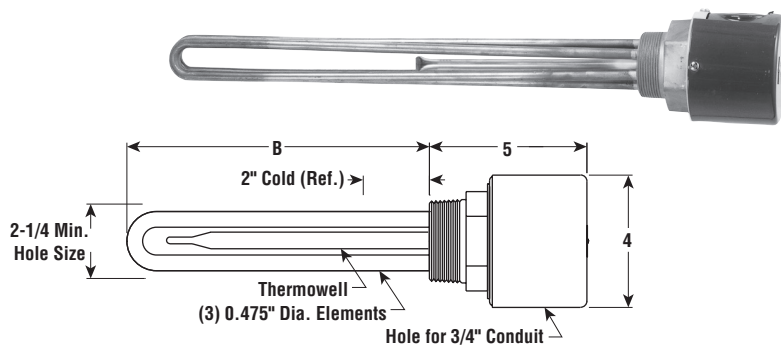
"Under the U.S. Federal Safe Drinking Water Act, it is unlawful to install or use this product in any service that comes into contact with water for human consumption (including drinking, food or beverage preparation, hand washing, or teeth brushing). This product is intended exclusively for use in non-potable service."

Immersion

EMT-3 Clean Water Applications

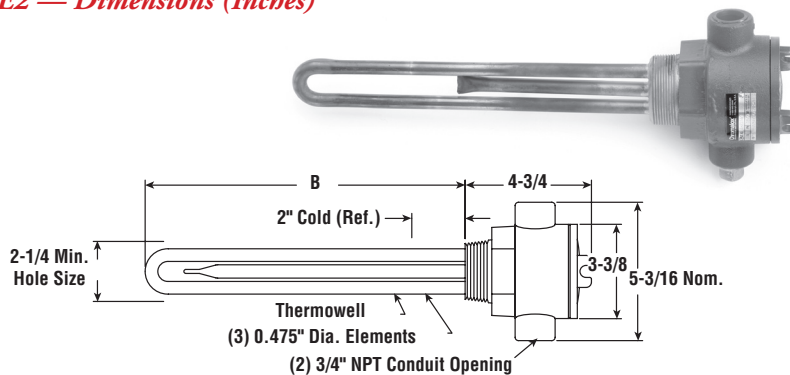
- 2" NPT Brass Screw Plug
- Copper Sheath Elements
- High Watt Density (61 - 67 W/in²)
- 3 - 12 kW
- Without Thermostat
- 240 and 480 Volt, Three Phase
- General Purpose, Moisture Resistant/Explosion Resistant Terminal Enclosure or Moisture Resistant

E1 — Dimensions (Inches)

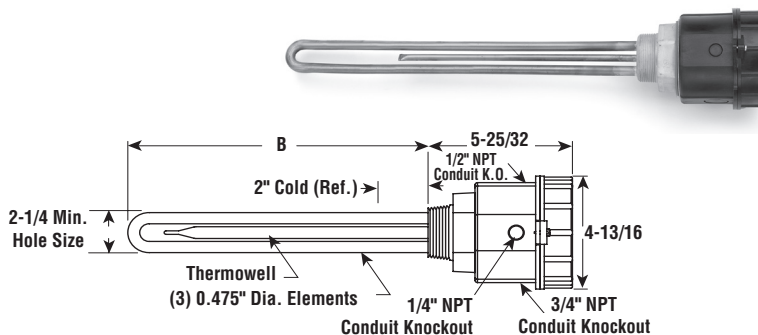


SCREW PLUG

E2 — Dimensions (Inches)



E4TP — Dimensions (Inches)



Specifications and Ordering Information

						E1 General Purpose ¹				E2 Moisture Resistant Explosion Resistant ²				E4 Moisture Resistant			
kW	Volts	Phase	W/in ²	No. Elem.	DIM B (In.)	Model	Stock	PCN	Wt. (Lbs.)	Model	Stock	PCN	Wt. (Lbs.)	Model	Stock	PCN	Wt. (Lbs.)
3	240	3	67	3	7	EMT-303	S	326220	5	EMT-303E2	NS	326300	8	EMT-303E4TP	NS	060679	5
3	480	3	67	3	7	EMT-303	S	326238	5	EMT-303E2	NS	326318	8	EMT-303E4TP	NS	060687	5
6	240	3	67	3	12	EMT-306	S	326246	6	EMT-306E2	NS	326326	9	EMT-306E4TP	NS	060695	6
6	480	3	67	3	12	EMT-306	S	326254	6	EMT-306E2	NS	326334	9	EMT-306E4TP	NS	060708	6
9	240	3	65	3	17-1/2	EMT-309	NS	326262	7	EMT-309E2	NS	326342	10	EMT-309E4TP	NS	060716	7
9	480	3	65	3	17-1/2	EMT-309	S	326270	7	EMT-309E2	NS	326350	10	EMT-309E4TP	NS	060724	7
12	240	3	61	3	24	EMT-312	S	326289	8	EMT-312E2	NS	326369	11	EMT-312E4TP	NS	060732	8
12	480	3	61	3	24	EMT-312	S	326297	8	EMT-312E2	NS	326377	11	EMT-312E4TP	NS	060740	8

Stock Status: S = stock NS = non-stock
To Order—Specify model, volts, phase, kW, PCN and quantity.

FASTShip

1. Heaters with General Purpose Enclosures are UL Listed and CSA Certified.
2. Heaters with Moisture Resistant/Explosion Resistant Enclosures are cCSA_{US}® Certified.a

Same-day shipping on stock item orders received before 4 pm CST.
3-day shipping on assembly-stock items.

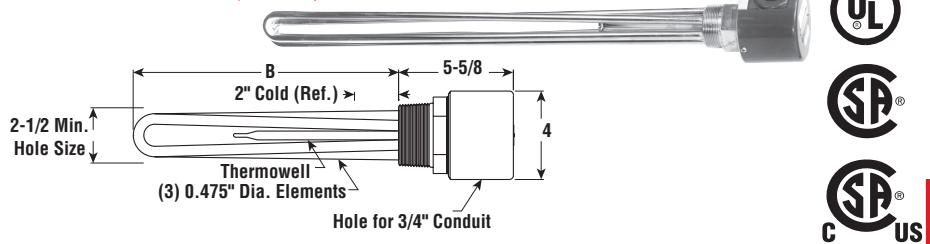
"Under the U.S. Federal Safe Drinking Water Act, it is unlawful to install or use this product in any service that comes into contact with water for human consumption (including drinking, food or beverage preparation, hand washing, or teeth brushing). This product is intended exclusively for use in non-potable service."

Immersion

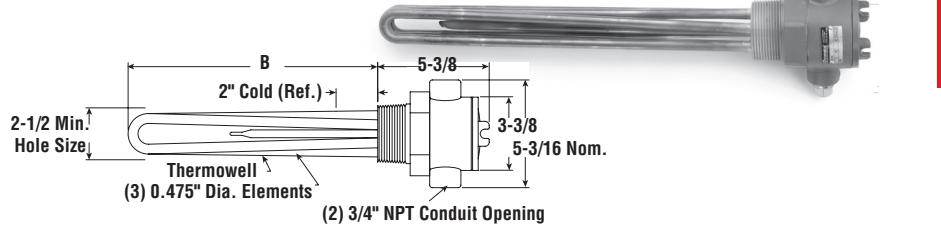
MT-3 Clean Water Applications

- 2-1/2" NPT Brass Screw Plug
- Copper Sheath Elements
- High Watt Density (46 - 53 W/in²)
- 3 - 18 kW
- Without Thermostat
- 120, 208, 240 and 480 Volt, 1 and 3 Phase
- General Purpose, Moisture Resistant/Explosion Resistant Terminal Enclosure or Moisture Resistant

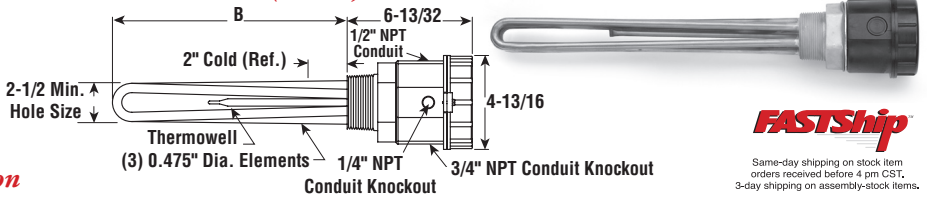
E1 — Dimensions (Inches)



E2 — Dimensions (Inches)



E4TP — Dimensions (Inches)



FASTShip
Same-day shipping on stock item orders received before 4 pm CST. 3-day shipping on assembly-stock items.

Specifications and Ordering Information

						E1 General Purpose ¹				E2 Moisture Resistant/ Explosion Resistant ²				E4 Moisture Resistant			
kW	Volts	Phase	W/in ²	No. Elem.	DIM B (In.)	Model	Stock	PCN	Wt. (Lbs.)	Model	Stock	PCN	Wt. (Lbs.)	Model	Stock	PCN	Wt. (Lbs.)
3	120	1	51	3	7-3/8	MT-330A	NS	191396	5	MT-330E2	NS	310800	8	MT-330E4TP	NS	063861	5
3	240	1	51	3	7-3/8	MT-330A	NS	191409	5	MT-330E2	NS	288809	8	MT-330E4TP	NS	063870	5
3	480	1	51	3	7-3/8	MT-330A	NS	191417	5	MT-330E2	NS	310818	8	MT-330E4TP	NS	063888	5
3	240	3	51	3	7-3/8	MT-330A	S	191433	5	MT-330E2	NS	288817	8	MT-330E4TP	NS	063896	5
3	480	3	51	3	7-3/8	MT-330A	S	191441	5	MT-330E2	NS	322288	8	MT-330E4TP	NS	063909	5
3	208	1	51	3	7-3/8	MT-330A	NS	322245	5	MT-330E2	NS	322253	8	MT-330E4TP	NS	063917	5
3	208	3	51	3	7-3/8	MT-330A	NS	322261	5	MT-330E2	NS	322270	8	MT-330E4TP	NS	063925	5
3.75	120	1	52	3	8-7/8	MT-337A	NS	191450	6	MT-337E2	NS	310826	9	MT-337E4TP	NS	063933	6
3.75	240	1	52	3	8-7/8	MT-337A	NS	191468	6	MT-337E2	NS	288825	9	MT-337E4TP	NS	063941	6
3.75	480	1	52	3	8-7/8	MT-337A	NS	191476	6	MT-337E2	NS	310834	9	MT-337E4TP	NS	063950	6
3.75	240	3	52	3	8-7/8	MT-337A	NS	191492	6	MT-337E2	NS	288833	9	MT-337E4TP	NS	063968	6
3.75	480	3	52	3	8-7/8	MT-337A	S	191505	6	MT-337E2	NS	322333	9	MT-337E4TP	NS	063976	6
3.75	208	1	52	3	8-7/8	MT-337A	NS	322296	6	MT-337E2	NS	322309	9	MT-337E4TP	NS	063984	6
3.75	208	3	52	3	8-7/8	MT-337A	NS	322317	6	MT-337E2	NS	322325	9	MT-337E4TP	NS	063992	6
4.5	120	1	48	3	11-3/8	MT-345A	NS	191513	6	MT-345E2	NS	310842	9	MT-345E4TP	NS	064004	6
4.5	240	1	48	3	11-3/8	MT-345A	S	191521	6	MT-345E2	NS	288841	9	MT-345E4TP	NS	064012	6
4.5	480	1	48	3	11-3/8	MT-345A	NS	191530	6	MT-345E2	NS	288868	9	MT-345E4TP	NS	064020	6
4.5	240	3	48	3	11-3/8	MT-345A	S	191556	6	MT-345E2	NS	288850	9	MT-345E4TP	NS	064039	6
4.5	480	3	48	3	11-3/8	MT-345A	S	191564	6	MT-345E2	NS	288876	9	MT-345E4TP	NS	064047	6
4.5	208	1	48	3	11-3/8	MT-345A	NS	322341	6	MT-345E2	NS	322350	9	MT-345E4TP	NS	064055	6
4.5	208	3	48	3	11-3/8	MT-345A	NS	322368	6	MT-345E2	NS	322376	9	MT-345E4TP	NS	064063	6
6	120	1	48	3	17-3/8	MT-360A	NS	191572	8	MT-360E2	NS	310850	11	MT-360E4TP	NS	064071	8
6	240	1	48	3	17-3/8	MT-360A	NS	191580	8	MT-360E2	NS	288884	11	MT-360E4TP	NS	064080	8
6	480	1	48	3	17-3/8	MT-360A	NS	191599	8	MT-360E2	NS	288905	11	MT-360E4TP	NS	064098	8
6	240	3	48	3	17-3/8	MT-360A	S	191610	8	MT-360E2	NS	288892	11	MT-360E4TP	NS	064100	8
6	480	3	48	3	17-3/8	MT-360A	S	191628	8	MT-360E2	NS	322392	11	MT-360E4TP	NS	064119	8
6	208	1	48	3	17-3/8	MT-360A	NS	322384	8	MT-360E2	NS	288913	11	MT-360E4TP	NS	064127	8
6	208	3	48	3	17-3/8	MT-360A	NS	322405	8	MT-360E2	NS	322413	11	MT-360E4TP	NS	064135	8
7.5	240	1	53	3	19-1/8	MT-375A	NS	191636	8	MT-375E2	NS	288921	11	MT-375E4TP	NS	064143	8
7.5	480	1	53	3	19-1/8	MT-375A	NS	191644	8	MT-375E2	NS	288948	11	MT-375E4TP	NS	064151	8
7.5	240	3	53	3	19-1/8	MT-375A	S	191652	8	MT-375E2	NS	288930	11	MT-375E4TP	NS	064160	8
7.5	480	3	53	3	19-1/8	MT-375A	S	191660	8	MT-375E2	NS	288956	11	MT-375E4TP	NS	064178	8
7.5	208	1	53	3	19-1/8	MT-375A	NS	322421	8	MT-375E2	NS	322430	11	MT-375E4TP	NS	064186	8
7.5	208	3	53	3	19-1/8	MT-375A	NS	322448	8	MT-375E2	NS	322456	11	MT-375E4TP	NS	064194	8
9	240	1	47	3	24-1/2	MT-390A	NS	191679	12	MT-390E2	NS	288964	15	MT-390E4TP	NS	064207	12
9	480	1	47	3	24-1/2	MT-390A	NS	191687	12	MT-390E2	NS	288980	15	MT-390E4TP	NS	064215	12
9	240	3	47	3	24-1/2	MT-390A	S	191695	12	MT-390E2	NS	288972	15	MT-390E4TP	NS	064223	12
9	480	3	47	3	24-1/2	MT-390A	S	191708	12	MT-390E2	S	288999	15	MT-390E4TP	NS	064231	12
9	208	1	47	3	24-1/2	MT-390A	NS	322464	12	MT-390E2	NS	322472	15	MT-390E4TP	NS	064240	12
9	208	3	47	3	24-1/2	MT-390A	NS	322480	12	MT-390E2	NS	322499	15	MT-390E4TP	NS	064258	12

¹Under the U.S. Federal Safe Drinking Water Act, it is unlawful to install or use this product in any service that comes into contact with water for human consumption (including drinking, food or beverage preparation, hand washing, or teeth brushing). This product is intended exclusively for use in non-potable service.

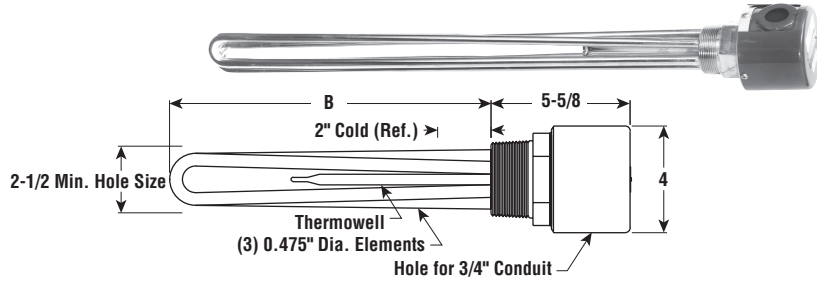
Immersion

MT-3

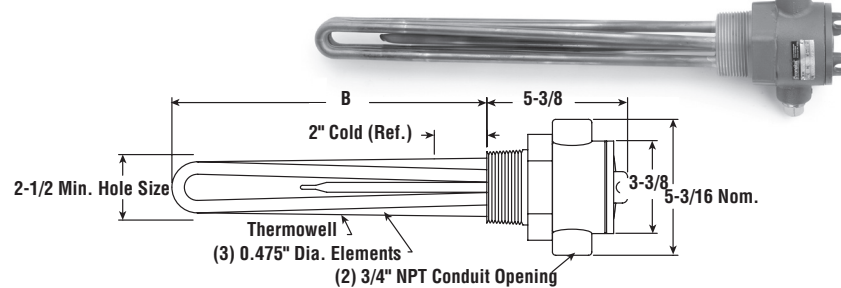
Clean Water Applications (cont'd.)

- 2-1/2" NPT Brass Screw Plug
- Copper Sheath Elements
- High Watt Density (46 - 53 W/in²)
- 3 - 18 kW
- Without Thermostat
- 120, 208 and 480 Volt, 1 and 3 Phase
- General Purpose, Moisture Resistant/Explosion Resistant Terminal Enclosure or Moisture Resistant

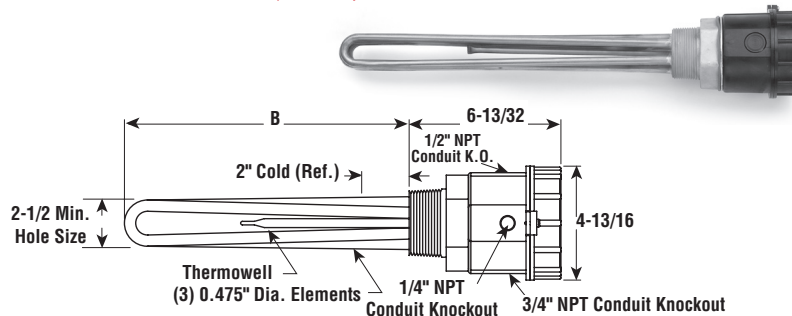
E1 — Dimensions (Inches)



E2 — Dimensions (Inches)



E4TP — Dimensions (Inches)



Specifications and Ordering Information

kW	Volts	Phase	W/in ²	No. Elem.	DIM. B (In.)	E1 General Purpose ¹			E2 Moisture Resistant/Explosion Resistant ²				E4 Moisture Resistant				
						Model	Stock	PCN	Wt. (Lbs.)	Model	Stock	PCN	Wt. (Lbs.)	Model	Stock	PCN	Wt. (Lbs.)
12	208	1	46	3	32-5/16	MT-3120A	NS	322501	13	MT-3120E2	NS	322510	16	MT-3120E4TP	NS	063693	13
12	208	3	46	3	32-5/16	MT-3120A	NS	322528	13	MT-3120E2	NS	322536	16	MT-3120E4TP	NS	063706	13
12	240	1	46	3	32-5/16	MT-3120A	NS	322544	13	MT-3120E2	NS	322552	16	MT-3120E4TP	NS	063714	13
12	240	3	46	3	32-5/16	MT-3120A	NS	322560	13	MT-3120E2	NS	322579	16	MT-3120E4TP	NS	063722	13
12	480	1	46	3	32-5/16	MT-3120A	NS	322587	13	MT-3120E2	NS	322595	16	MT-3120E4TP	NS	063730	13
12	480	3	46	3	32-5/16	MT-3120A	NS	322608	13	MT-3120E2	NS	322616	16	MT-3120E4TP	NS	063749	13
15	208	1	46	3	39-3/4	MT-3150A	NS	322624	14	MT-3150E2	NS	322632	17	MT-3150E4TP	NS	063757	14
15	208	3	46	3	39-3/4	MT-3150A	NS	322640	14	MT-3150E2	NS	322659	17	MT-3150E4TP	NS	063765	14
15	240	1	46	3	39-3/4	MT-3150A	NS	322667	14	MT-3150E2	NS	322675	17	MT-3150E4TP	NS	063773	14
15	240	3	46	3	39-3/4	MT-3150A	NS	322683	14	MT-3150E2	NS	322691	17	MT-3150E4TP	NS	063781	14
15	480	1	46	3	39-3/4	MT-3150A	NS	322704	14	MT-3150E2	NS	322712	17	MT-3150E4TP	NS	063790	14
15	480	3	46	3	39-3/4	MT-3150A	NS	322720	14	MT-3150E2	NS	322739	17	MT-3150E4TP	NS	063802	14
18	208	3	46	3	47-1/4	MT-3180A	NS	322747	15	MT-3180E2	NS	322755	18	MT-3180E4TP	NS	063810	15
18	240	1	46	3	47-1/4	MT-3180A	NS	322763	15	MT-3180E2	NS	322771	18	MT-3180E4TP	NS	063829	15
18	240	3	46	3	47-1/4	MT-3180A	NS	322780	15	MT-3180E2	NS	322798	18	MT-3180E4TP	NS	063837	15
18	480	1	46	3	47-1/4	MT-3180A	NS	322800	15	MT-3180E2	NS	322819	18	MT-3180E4TP	NS	063845	15
18	480	3	46	3	47-1/4	MT-3180A	NS	322827	15	MT-3180E2	NS	322835	18	MT-3180E4TP	NS	063853	15

Specify model, volts, phase, kW, PCN and quantity.

1. Heaters with General Purpose Enclosures are UL Listed and CSA Certified.
2. Heaters with Moisture Resistant/Explosion Resistant Enclosures are CSA NRTL/C Certified.
3. Not UL Listed, CSA Certified or _CCSA_{US}® Certified (Exceeds 48 Amps).



Same-day shipping on stock item orders received before 4 pm CST. 3-day shipping on assembly-stock items.

"Under the U.S. Federal Safe Drinking Water Act, it is unlawful to install or use this product in any service that comes into contact with water for human consumption (including drinking, food or beverage preparation, hand washing, or teeth brushing). This product is intended exclusively for use in non-potable service."