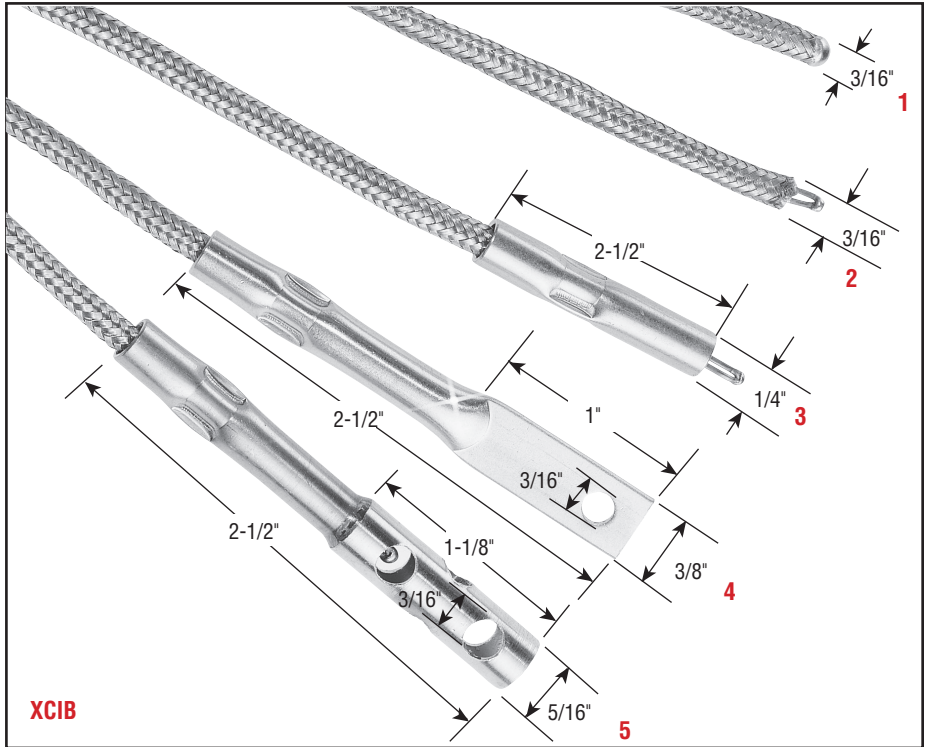


## XCIB

### High-Temp. Overbraided Thermocouples

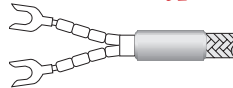
- Withstands Temperatures Up to 2000°F (1093°C)
- High Temperature Ceramic Insulation with INCONEL® Overbraid
- Standard Lengths are 3 and 10 Feet. Additional Lengths Available
- J, K or E Thermocouple Calibrations
- Grounded Junction



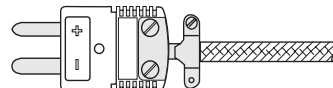
#### In Stock:

Model	PCN
XCIB-K-1-2-3/C	326810
XCIB-K-1-2-10/C	326828
XCIB-K-1-3-10/C	326836
XCIB-K-1-4-3/C	326844
XCIB-K-1-4-10/C	326852
XCIB-K-2-2-3/C	326860
XCIB-K-2-2-10/C	326879
XCIB-K-4-2-10/C	326887
XCIB-K-4-4-3/C	326895
XCIB-J-4-4-3/C	326908
XCIB-K-4-4-10/C	326916
XCIB-J-4-4-10/C	326924

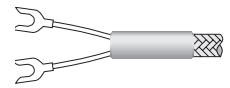
#### Termination Types



1. Ceramic beaded leads with compensated spade lugs.



2. OST standard thermocouple connector (to 425°F)



3. NHHX ceramic connector (to 1200°F)

4. Nextel insulated leads with compensated spade lugs.

#### Specifications and Ordering Information — XCIB

Model	Probe Style	Termination Type	Model	Probe Style	Termination Type
XCIB-( <sup>1</sup> )-1-1-( <sup>2</sup> )/C	1	1	XCIB-( <sup>1</sup> )-3-3-( <sup>2</sup> )/C	3	3
XCIB-( <sup>1</sup> )-1-2-( <sup>2</sup> )/C		2	XCIB-( <sup>1</sup> )-3-4-( <sup>2</sup> )/C		1
XCIB-( <sup>1</sup> )-1-3-( <sup>2</sup> )/C		3	XCIB-( <sup>1</sup> )-4-1-( <sup>2</sup> )/C	4	1
XCIB-( <sup>1</sup> )-1-4-( <sup>2</sup> )/C		4	XCIB-( <sup>1</sup> )-4-2-( <sup>2</sup> )/C		2
XCIB-( <sup>1</sup> )-2-1-( <sup>2</sup> )/C	2	1	XCIB-( <sup>1</sup> )-4-3-( <sup>2</sup> )/C	4	3
XCIB-( <sup>1</sup> )-2-2-( <sup>2</sup> )/C		2	XCIB-( <sup>1</sup> )-4-4-( <sup>2</sup> )/C		4
XCIB-( <sup>1</sup> )-2-3-( <sup>2</sup> )/C		3	XCIB-( <sup>1</sup> )-5-1-( <sup>2</sup> )/C	5	1
XCIB-( <sup>1</sup> )-2-4-( <sup>2</sup> )/C		4	XCIB-( <sup>1</sup> )-5-2-( <sup>2</sup> )/C		2
XCIB-( <sup>1</sup> )-3-1-( <sup>2</sup> )/C	3	1	XCIB-( <sup>1</sup> )-5-3-( <sup>2</sup> )/C	5	3
XCIB-( <sup>1</sup> )-3-2-( <sup>2</sup> )/C		2	XCIB-( <sup>1</sup> )-5-4-( <sup>2</sup> )/C		4

Note — 1. Specify thermocouple type:

2. Specify length in feet (3 or 10 Ft. standard)

J: Iron-Constantan K: Chromel-Alumel E: Chromel-Constantan