

UTUA-LT

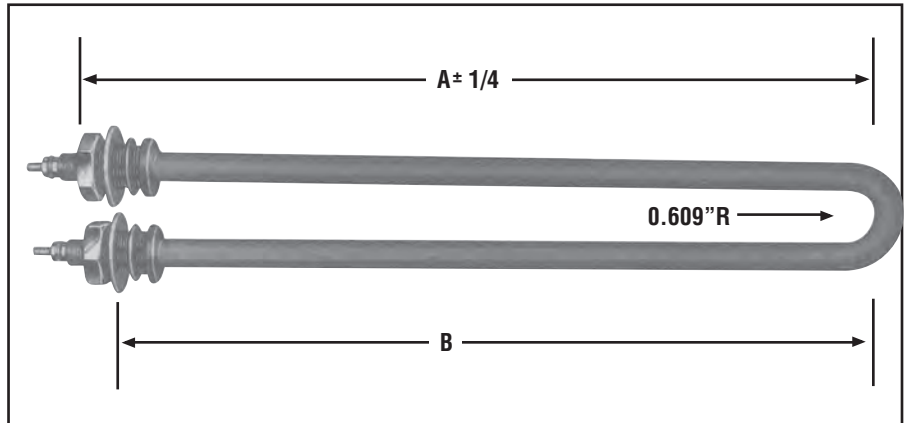
430" Dia.
Round Cross- Section



TUBULAR

- INCOLOY Sheath
- 2000 and 4500 Watts
240 and 480 Volt
- 9/16 - 18 Bulkhead Fittings
- Replacement Element for
Aitken* OH, SH, PPH and
PHX Radiant Heaters

Replacement Elements - Dimensions (Inches)



Applications

Replaces heating elements in radiant comfort heaters manufactured by Aitken Products, Inc. It can also be used in other heating applications where threaded liquid-tight fittings permit mounting for high-velocity air or immersion heating of liquids which are not corrosive to INCOLOY. When used for immersion heating, heated section of element must be immersed at all times.

Advantages

Specially constructed to provide excellent service life in radiant heating applications.

Features

Liquid-Tight Fittings - 9/16-18 Brass for mounting. Nuts, washers and gaskets included.

10-32 Terminals - Stainless steel, complete with nuts and washers.

Work Temperatures - See Tubular Heater overview section for element rated 40 W/In²

Bending - Lengthwise only. See Tubular Heater Overview Section.

Specifications and Ordering Information

40 W/In ² Watts	Volts	Dimensions (In)		Model	Aitken* Part No.	Stock	PCN	Wt. (Lbs)
		A	B					
2000	240	21.5	20.5	UTUA-224LT	HE20240	S	106016	2
2000	480	21.5	20.5	UTUA-248LT	HE20480	S	106024	2
4500	240	43	42	UTUA-424LT	HE45240	S	106032	3
4500	480	43	42	UTUA-448LT	HE45480	S	106040	3

Stock Status: S = stock NS = non-stock

To Order—Specify model, watts, volts, phase and quantity.

*Aitken is a registered trademark of Aitken Products, Inc.