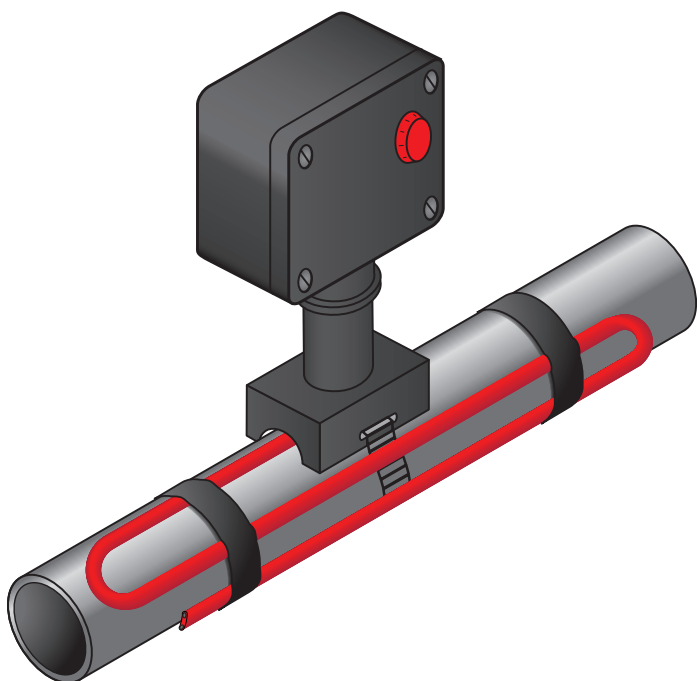


PRODUCT OVERVIEW



The Chromalox® USL power/end seal connection kit with signal light is a NEMA 4X rated and designed for a single SRL, SRP, SRM/ E, or CWM heating cable connection to customer-supplied power wiring, or for terminating a single heating cable, in freeze protection, piping process temperature maintenance, or fluid flow and viscosity maintenance applications. This model includes a universal (120 to 277) voltage LED light that indicates power-on. It provides water-resistant cable entry, enclosure support, terminal block, and corrosion-resistant wiring enclosure with a 3/4-inch (19 mm) opening to accept a conduit hub (Chromalox CCH-2 or equal) and is approved for ordinary area locations. The enclosure is molded of durable, high performance polyphenylene sulfide (PPS) thermoplastic that is corrosion-resistant, non-flammable, impact-resistant, resistant to acids and alkalis, resistant to sunlight and abrasion, exhibits high mechanical strength, provides high-temperature stability, and electrical insulation with its high arc resistance and low arc tracking. A pipe strap (Chromalox PS Series) is required for a complete installation, and a small pipe adapter is available for pipe sizes less than 1 1/2 inch (38 mm).

DESCRIPTION

This kit provides a connection box with one conduit entry and LED signal light, pipe standoff, terminal block and components for above-insulation electrical connections.

KIT CONTENTS

- 1 Molded Junction Box Consisting of:
 - 1 Box with One Conduit Opening and LED signal light
 - 1 DIN Rail
 - 1 Three-Position Terminal Block
 - 1 Cover with 4 Screws
- 1 Compression Fitting
- 1 Locknut
- 1 Silicone Termination Boot
- 1 Pipe Standoff
- 1 Tube of RTV
- 1 O-Ring
- 1 Self-Regulating Cable Grommet
- 1 Constant-Wattage Cable Grommet

MATERIALS

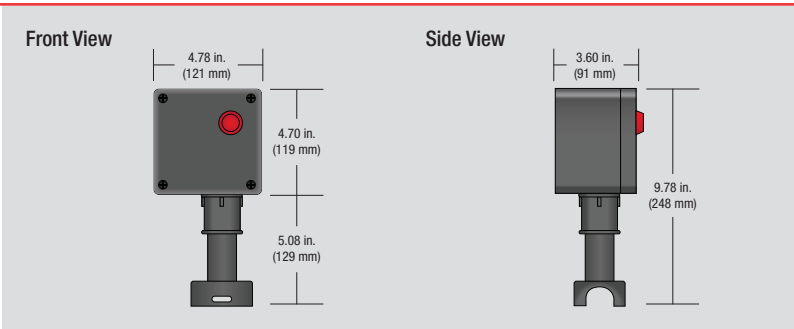
Junction Box, Pipe Standoff	Electrostatic-charge-resistant, glass-filled engineered polymer, black
Self-Regulating Cable Grommet	Silicone rubber, black
Constant-Wattage Cable Grommet	Silicone rubber, orange
Cover Gasket, O-Ring	Silicone rubber, black
Cover Screws (4)	Stainless steel

USL POWER / END SEAL CONNECTION WITH SIGNAL LIGHT

APPROVALS

- Ordinary Areas Only

DIMENSIONS



PRODUCT SPECIFICATIONS

Heating Cable Use	SRL, SRP, SRM/E, CWM
Ingress Protection	IP66
Conduit Hub Size	0.75 in. (19 mm)
Minimal Install Temperature	-40°F (-40°C)
Maximum Pipe Temperature	482°F (250°C)
Terminals	2 for line, 1 for ground
Maximum Voltage	480 V (277 V light)
Maximum Circuit Breaker Rating	40 A
Conductor Size Range	8 - 22 AWG
Weight	4 lb (1.81 kg)

ORDER DETAILS

Catalog Description	USL Power/End Seal Connection with Signal Light
Part Number	393588



1347 Heil Quaker Blvd
LaVergne, TN 37086

TECHNICAL SUPPORT
412-967-3940

email: sales@chromalox.com
www.chromalox.com

*press 1 to be directed to heat trace support