

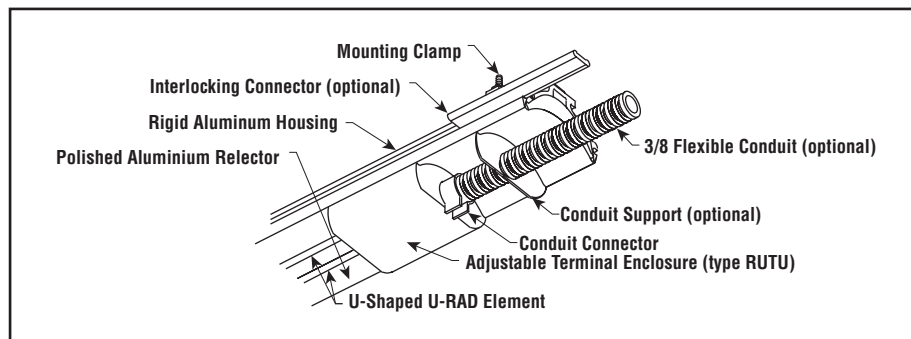
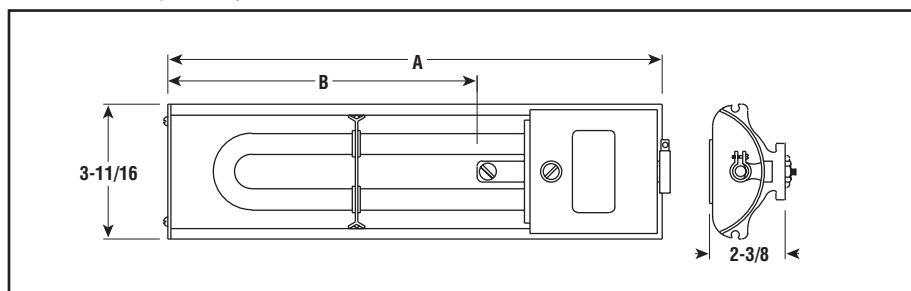
U-RAD[®]

Single Hairpin Element Radiant Heater

- 3.66 kW/Ft²
- 0.8 - 3.6 kW
- 120, 208, 240, 275 and 480 Volt
- 3/8" Dia. INCOLOY[®] Sheath Elements (type UTU)
- 1500°F Max. Sheath Temp.



Dimensions (Inches)



Applications

- Roll Heating
- Shrink Fitting
- Preheat Glass for Polishing, Drying, Sterilizing
- Fast-Moving Webs and other applications where High Temperatures will not damage materials

Features

Complete, Ready-to-Connect Assembly with adjustable terminal housing, which permits easy interchange of elements to accommodate work of varying dimensions.

Movable Mounting Clamps and Bolts are supplied to accommodate many mounting configurations such as banks, tunnels and oven sections.

Process Temperature Control — Radiant heater output may be controlled with Chromalox SCR Power Controllers, Percentage Timing Input Controls and Non-Contact Temperature Sensors. See the Controls section of this catalog.

Additional Sizes and Ratings — Contact your Local Chromalox Sales office for price and availability.

Construction

Enclosed Chromalox Alloy-Sheath Tubular Heating Element is completely isolated and supported on secondary insulation for improved electrical safety. Designed for long life, the element is more resistant to hard blows than quartz lamp or tube and open coil types.

Rigid Extruded Aluminum Housing protects heating element from harsh industrial environments.

Highly Polished Aluminum Reflectors give good reflectivity and heat transfer, and are easily cleaned to maintain energy efficiency.

Accessories

Protective Grille — Optional snap-in sections help protect personnel and work from contact with hot elements.

Companion Reflector — Optional radiant companion reflectors improve oven efficiency. See Radiant Accessories in this section.

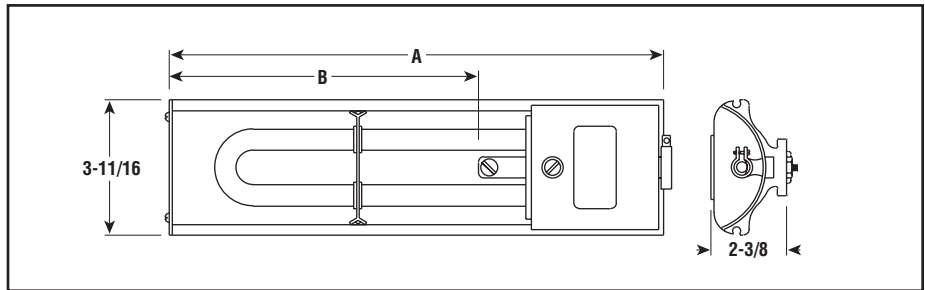
Note: Model U-RAD[®] heaters are not listed for use in fixed electric space heated applications under NEC 424. If they are to be used in such applications, installation must be approved by local code enforcement authorities.

U-RAD[®]

Single Hairpin Element Radiant Heater (cont'd.)



Dimensions (Inches)



Specifications and Ordering Information

kW	Volt	Length (In.)		Model	Stock	PCN	Optional Grille ²	Replacement Elements ¹	Wt. (Lbs.)
		Overall A	Heated B						
0.8	120	12-3/4	8-5/16	U-RAD-2	NS	110672	(1) GR-800	UTU-2	4
0.8	208	12-3/4	8-5/16	U-RAD-2V	NS	110680	(1) GR-800	UTU-2V	4
0.8	240	12-3/4	8-5/16	U-RAD-2	NS	110699	(1) GR-800	UTU-2	4
0.8	275	12-3/4	8-5/16	U-RAD-2V	NS	110701	(1) GR-800	UTU-2V	4
1.1	120	15-7/8	11-7/16	U-RAD-3	NS	110710	(1) GR-800	UTU-3	5
1.1	208	15-7/8	11-7/16	U-RAD-3V	NS	110728	(1) GR-800	UTU-3V	5
1.1	240	15-7/8	11-7/16	U-RAD-3	S	110736	(1) GR-800	UTU-3	5
1.1	275	15-7/8	11-7/16	U-RAD-3V	NS	110744	(1) GR-800	UTU-3V	5
1.8	208	23-13/16	19-3/8	U-RAD-4V	NS	110760	(1) GR-2	UTU-4V	7
1.8	240	23-13/16	19-3/8	U-RAD-4	NS	110752	(1) GR-2	UTU-4	7
1.8	275	23-13/16	19-3/8	U-RAD-4V	NS	110779	(1) GR-2	UTU-4V	7
1.8	480	23-13/16	19-3/8	U-RAD-4	S	114497	(1) GR-2	UTU-4	7
2.5	208	31-1/4	26-13/16	U-RAD-5V	S	110795	(1) GR-3	UTU-5V	8
2.5	240	31-1/4	26-13/16	U-RAD-5	NS	110787	(1) GR-3	UTU-5	8
2.5	275	31-1/4	26-13/16	U-RAD-5V	NS	113793	(1) GR-3	UTU-5V	8
2.5	480	31-1/4	26-13/16	U-RAD-5	S	110808	(1) GR-3	UTU-5	8
3	208	37-1/4	32-13/16	U-RAD-6V	NS	110824	(2) GR-2	UTU-6V	10
3	240	37-1/4	32-13/16	U-RAD-6	NS	110816	(2) GR-2	UTU-6	10
3	275	37-1/4	32-13/16	U-RAD-6V	NS	110840	(2) GR-2	UTU-6V	10
3	480	37-1/4	32-13/16	U-RAD-6	S	110832	(2) GR-2	UTU-6	10
3.6	208	43-3/8	38-15/16	U-RAD-7V	NS	110867	(1) GR-4	UTU-7V	12
3.6	240	43-3/8	38-15/16	U-RAD-7	S	110859	(1) GR-4	UTU-7	12
3.6	275	43-3/8	38-15/16	U-RAD-7V	NS	110883	(1) GR-4	UTU-7V	12
3.6	480	43-3/8	38-15/16	U-RAD-7	S	110875	(1) GR-4	UTU-7	12

METAL SHEATH
RADIANT

Stock Status: S = stock NS = non-stock
To Order — Specify model, PCN, kW, volts, quantity, optional grille and replacement elements (if needed).

1. Refer to Tubular Heaters section.
2. See Accessories in this section for ordering information.

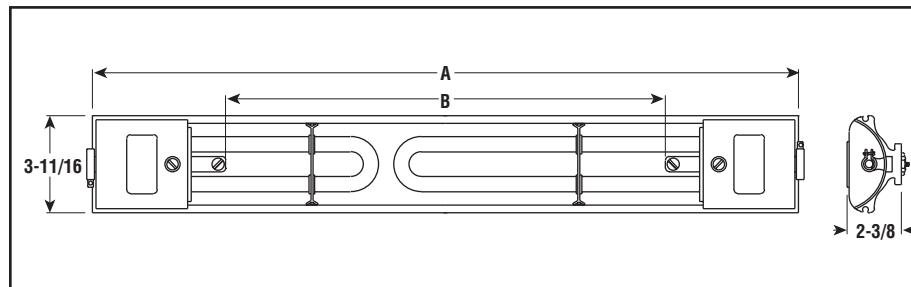
U-RAD[®]

Double Hairpin Element Radiant Heater



- 3.66 kW/Ft²
- 1.6 - 7.2 kW
- 120, 208, 240, 275 and 480 Volt
- 3/8" Dia. INCOLOY[®] Sheath Elements (type UTU)
- 1500°F Max. Sheath Temp.

Dimensions (Inches)



Applications

- Roll Heating
- Shrink Fitting
- Preheat Glass for Polishing, Drying, Sterilizing
- Fast-Moving Webs and other applications where high temperatures will not damage materials

Features

Complete, Ready-to-Connect Assembly with adjustable terminal housing, which permits easy interchange of elements to accommodate work of varying dimensions.

Movable Mounting Clamps and Bolts are supplied to accommodate many mounting configurations such as banks, tunnels and oven sections.

Process Temperature Control — Radiant heater output may be controlled with Chromalox SCR Power Controllers, Percentage Timing Input Controls and Non-Contact Temperature Sensors. See the Controls section of this catalog.

Additional Sizes and Ratings — Contact your Local Chromalox Sales office for price and availability.

Construction

Enclosed Chromalox Alloy-Sheath Tubular Heating Element is completely isolated and supported on secondary insulation for improved electrical safety. Designed for long life, the element is more resistant to hard blows than quartz lamp or tube and open coil types.

Rigid Extruded Aluminum Housing protects heating element from harsh industrial environments.

Highly Polished Aluminum Reflectors give good reflectivity and heat transfer, and are easily cleaned to maintain energy efficiency.

Accessories

Protective Grille — Optional snap-in sections help protect personnel and work from contact with hot elements.

Companion Reflector — Optional radiant companion reflectors improve oven efficiency. See Radiant Accessories in this section.

Specifications and Ordering Information

kW	Volts	Length (In.)		Model	Stock	PCN	Optional Grille ²	Replacement Elements ¹	Wt. (Lbs.)
		Overall A	Heated B						
1.6	120	25-1/2	16-5/8	U-RAD-22	NS	110891	(1) GR-2	(2) UTU-2	8
1.6	208	25-1/2	16-5/8	U-RAD-22V	NS	110904	(1) GR-2	(2) UTU-2V	8
1.6	240	25-1/2	16-5/8	U-RAD-22	NS	110912	(1) GR-2	(2) UTU-2	8
1.6	275	25-1/2	16-5/8	U-RAD-22V	NS	110920	(1) GR-2	(2) UTU-2V	8
1.9	120	28-5/8	19-3/4	U-RAD-32	NS	110939	(1) GR-2	(1) UTU-2, (1) UTU-3	9
1.9	208	28-5/8	19-3/4	U-RAD-32V	NS	110947	(1) GR-2	(1) UTU-2V, (1) UTU-3V	9
1.9	240	28-5/8	19-3/4	U-RAD-32	NS	110955	(1) GR-2	(1) UTU-2, (1) UTU-3	9
1.9	275	28-5/8	19-3/4	U-RAD-32V	NS	110963	(1) GR-2	(1) UTU-2V, (1) UTU-3V	9

U-RAD[®]

Double Hairpin Element Radiant Heater (cont'd.)

Specifications and Ordering Information

kW	Volts	Length (In.)		Model	Stock	PCN	Optional Grille ²	Replacement Elements ¹	Wt. (Lbs.)
		Overall A	Heated B						
2.2	120	31-3/4	22-7/8	U-RAD-33	NS	110971	(1) GR-3	(2) UTU-3	10
2.2	208	31-3/4	22-7/8	U-RAD-33V	NS	110980	(1) GR-3	(2) UTU-3V	10
2.2	240	31-3/4	22-7/8	U-RAD-33	NS	110998	(1) GR-3	(2) UTU-3	10
2.2	275	31-3/4	22-7/8	U-RAD-33V	NS	111000	(1) GR-3	(2) UTU-3V	10
2.6	208	36-9/16	27-11/16	U-RAD-42V	NS	111026	(1) GR-3	(1) UTU-2V, (1) UTU-4V	11
2.6	240	36-9/16	27-11/16	U-RAD-42	NS	111018	(1) GR-3	(1) UTU-2, (1) UTU-4	11
2.6	275	36-9/16	27-11/16	U-RAD-42V	NS	111034	(1) GR-3	(1) UTU-2V, (1) UTU-4V	11
2.9	208	39-11/16	30-13/16	U-RAD-43V	NS	111050	(2) GR-2	(1) UTU-3V, (1) UTU-4V	12
2.9	240	39-11/16	30-13/16	U-RAD-43	NS	111042	(2) GR-2	(1) UTU-3, (1) UTU-4	12
2.9	275	39-11/16	30-13/16	U-RAD-43V	NS	111069	(2) GR-2	(1) UTU-3V, (1) UTU-4V	12
3.6	208	47-9/16	38-11/16	U-RAD-44V	NS	111085	(1) GR-4	(2) UTU-4V	13
3.6	240	47-9/16	38-11/16	U-RAD-44	NS	111077	(1) GR-4	(2) UTU-4	13
3.6	275	47-9/16	38-11/16	U-RAD-44V	NS	111093	(1) GR-4	(2) UTU-4V	13
3.3	208	44	35-1/8	U-RAD-52V	NS	111114	(2) GR-2	(1) UTU-2V, (1) UTU-5V	11
3.3	240	44	35-1/8	U-RAD-52	NS	111106	(2) GR-2	(1) UTU-2, (1) UTU-5	11
3.3	275	44	35-1/8	U-RAD-52V	NS	111122	(2) GR-2	(1) UTU-2V, (1) UTU-5V	11
3.6	208	47-1/8	38-1/4	U-RAD-53V	NS	111149	(1) GR-4	(1) UTU-3V, (1) UTU-5V	12
3.6	240	47-1/8	38-1/4	U-RAD-53	NS	111130	(1) GR-4	(1) UTU-3, (1) UTU-5	12
3.6	275	47-1/8	38-1/4	U-RAD-53V	NS	111157	(1) GR-4	(1) UTU-3V, (1) UTU-5V	12
4.3	208	55-1/16	46-3/16	U-RAD-54V	NS	111173	(3) GR-2	(1) UTU-4V, (1) UTU-5V	14
4.3	240	55-1/16	46-3/16	U-RAD-54	NS	111165	(3) GR-2	(1) UTU-4, (1) UTU-5	14
4.3	275	55-1/16	46-3/16	U-RAD-54V	NS	111181	(3) GR-2	(1) UTU-4V, (1) UTU-5V	14
5	208	62-7/16	53-9/16	U-RAD-55V	NS	111202	(1) GR-5	(2) UTU-5V	15
5	240	62-7/16	53-9/16	U-RAD-55	NS	111190	(1) GR-5	(2) UTU-5	15
5	275	62-7/16	53-9/16	U-RAD-55V	NS	111229	(1) GR-5	(2) UTU-5V	15
5	480	62-7/16	53-9/16	U-RAD-55	NS	111210	(1) GR-5	(2) UTU-5	15
3.8	208	50	41-1/8	U-RAD-62V	NS	111245	(1) GR-2, (1) GR-3	(1) UTU-2V, (1) UTU-6V	13
3.8	240	50	41-1/8	U-RAD-62	NS	111237	(1) GR-2, (1) GR-3	(1) UTU-2, (1) UTU-6	13
3.8	275	50	41-1/8	U-RAD-62V	NS	111253	(1) GR-2, (1) GR-3	(1) UTU-2V, (1) UTU-6V	13
4.1	208	53-1/8	44-1/4	U-RAD-63V	NS	111270	(2) GR-3	(1) UTU-3V, (1) UTU-6V	14
4.1	240	53-1/8	44-1/4	U-RAD-63	NS	111261	(2) GR-3	(1) UTU-3, (1) UTU-6	14
4.1	275	53-1/8	44-1/4	U-RAD-63V	NS	111288	(2) GR-3	(1) UTU-3V, (1) UTU-6V	14
4.8	208	61-1/16	52-3/16	U-RAD-64V	NS	111309	(1) GR-5	(1) UTU-4V, (1) UTU-6V	16
4.8	240	61-1/16	52-3/16	U-RAD-64	NS	111296	(1) GR-5	(1) UTU-4, (1) UTU-6	16
4.8	275	61-1/16	52-3/16	U-RAD-64V	NS	111317	(1) GR-5	(1) UTU-4V, (1) UTU-6V	16
5.5	208	68-1/2	59-5/8	U-RAD-65V	NS	111333	(1) GR-3, (1) GR-4	(1) UTU-5V, (1) UTU-6V	17
5.5	240	68-1/2	59-5/8	U-RAD-65	NS	111325	(1) GR-3, (1) GR-4	(1) UTU-5, (1) UTU-6	17
5.5	275	68-1/2	59-5/8	U-RAD-65V	NS	111350	(1) GR-3, (1) GR-4	(1) UTU-5V, (1) UTU-6V	17
5.5	480	68-1/2	59-5/8	U-RAD-65	NS	111341	(1) GR-3, (1) GR-4	(1) UTU-5, (1) UTU-6	17
6	208	74-1/2	65-5/8	U-RAD-66V	NS	111376	(1) GR-6	(2) UTU-6V	20
6	240	74-1/2	65-5/8	U-RAD-66	NS	111368	(1) GR-6	(2) UTU-6	20
6	275	74-1/2	65-5/8	U-RAD-66V	NS	111392	(1) GR-6	(2) UTU-6V	20
6	480	74-1/2	65-5/8	U-RAD-66	NS	111384	(1) GR-6	(2) UTU-6	20
4.4	208	56-1/8	47-1/4	U-RAD-72V	NS	111413	(1) GR-2, (1) GR-4	(1) UTU-2V, (1) UTU-7V	15
4.4	240	56-1/8	47-1/4	U-RAD-72	NS	111405	(1) GR-2, (1) GR-4	(1) UTU-2, (1) UTU-7	15
4.4	275	56-1/8	47-1/4	U-RAD-72V	NS	111421	(1) GR-2, (1) GR-4	(1) UTU-2V, (1) UTU-7V	15
4.7	208	59-1/4	50-3/8	U-RAD-73V	NS	111448	(3) GR-2	(1) UTU-3V, (1) UTU-7V	16
4.7	240	59-1/4	50-3/8	U-RAD-73	NS	111430	(3) GR-2	(1) UTU-3, (1) UTU-7	16
4.7	275	59-1/4	50-3/8	U-RAD-73V	NS	111456	(3) GR-2	(1) UTU-3V, (1) UTU-7V	16
5.4	208	67-1/8	58-1/4	U-RAD-74V	NS	111472	(1) GR-2, (1) GR-4	(1) UTU-4V, (1) UTU-7V	18
5.4	240	67-1/8	58-1/4	U-RAD-74	NS	111464	(1) GR-2, (1) GR-4	(1) UTU-4, (1) UTU-7	18
5.4	275	67-1/8	58-1/4	U-RAD-74V	NS	111480	(1) GR-2, (1) GR-4	(1) UTU-4V, (1) UTU-7V	18
6.1	208	74-1/2	65-5/8	U-RAD-75V	NS	111501	(1) GR-6	(1) UTU-5V, (1) UTU-7V	19
6.1	240	74-1/2	65-5/8	U-RAD-75	NS	111499	(1) GR-6	(1) UTU-5, (1) UTU-7	19
6.1	275	74-1/2	65-5/8	U-RAD-75V	NS	111528	(1) GR-6	(1) UTU-5V, (1) UTU-7V	19
6.1	480	74-1/2	65-5/8	U-RAD-75	NS	111510	(1) GR-6	(1) UTU-5, (1) UTU-7	19
6.6	208	80-5/8	71-3/4	U-RAD-76V	NS	111544	(1) GR-2, (1) GR-5	(1) UTU-6V, (1) UTU-7V	21
6.6	240	80-5/8	71-3/4	U-RAD-76	NS	111536	(1) GR-2, (1) GR-5	(1) UTU-6, (1) UTU-7	21
6.6	275	80-5/8	71-3/4	U-RAD-76V	NS	111560	(1) GR-2, (1) GR-5	(1) UTU-6V, (1) UTU-7V	21
6.6	480	80-5/8	71-3/4	U-RAD-76	NS	111552	(1) GR-2, (1) GR-5	(1) UTU-6, (1) UTU-7	21
7.2	208	86-3/4	77-7/8	U-RAD-77V	NS	111587	(2) GR-4	(2) UTU-7V	24
7.2	240	86-3/4	77-7/8	U-RAD-77	NS	111579	(2) GR-4	(2) UTU-7	24
7.2	275	86-3/4	77-7/8	U-RAD-77V	NS	111608	(2) GR-4	(2) UTU-7V	24
7.2	480	86-3/4	77-7/8	U-RAD-77	NS	111595	(2) GR-4	(2) UTU-7	24

Stock Status: S = stock NS = non-stock

To Order—Specify model, PCN, kW, volts, quantity, optional grille and replacement elements (if needed).

1. Refer to Tubular Heaters section.

2. See Accessories in this section for ordering information.

METAL SHEATH
RADIANT