

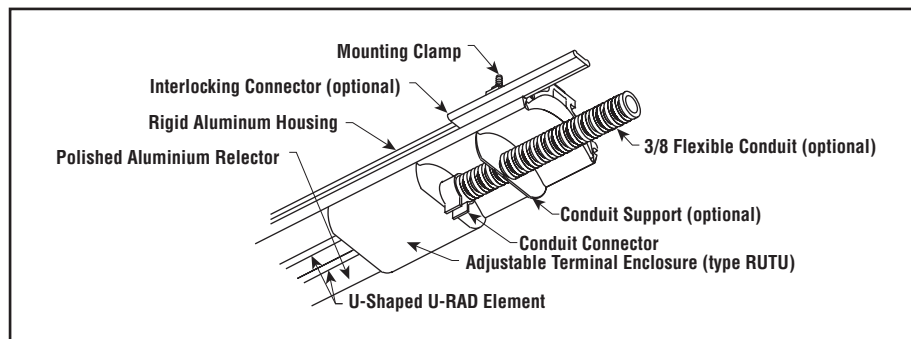
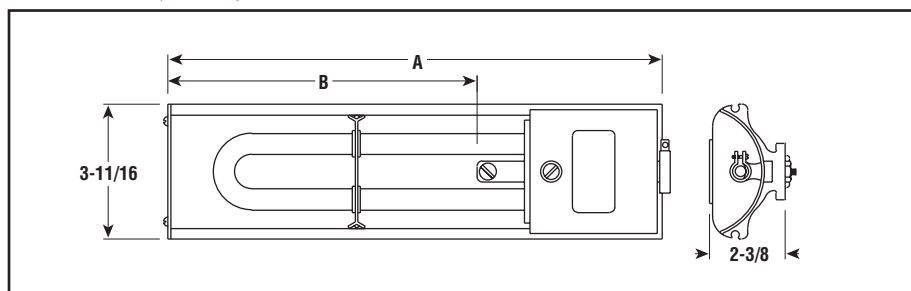
## U-RAD<sup>®</sup>

### Single Hairpin Element Radiant Heater

- 3.66 kW/Ft<sup>2</sup>
- 0.8 - 3.6 kW
- 120, 208, 240, 275 and 480 Volt
- 3/8" Dia. INCOLOY<sup>®</sup> Sheath Elements (type UTU)
- 1500°F Max. Sheath Temp.



#### Dimensions (Inches)



#### Applications

- Roll Heating
- Shrink Fitting
- Preheat Glass for Polishing, Drying, Sterilizing
- Fast-Moving Webs and other applications where High Temperatures will not damage materials

#### Features

**Complete, Ready-to-Connect Assembly** with adjustable terminal housing, which permits easy interchange of elements to accommodate work of varying dimensions.

**Movable Mounting Clamps and Bolts** are supplied to accommodate many mounting configurations such as banks, tunnels and oven sections.

**Process Temperature Control** — Radiant heater output may be controlled with Chromalox SCR Power Controllers, Percentage Timing Input Controls and Non-Contact Temperature Sensors. See the Controls section of this catalog.

**Additional Sizes and Ratings** — Contact your Local Chromalox Sales office for price and availability.

#### Construction

**Enclosed Chromalox Alloy-Sheath Tubular Heating Element** is completely isolated and supported on secondary insulation for improved electrical safety. Designed for long life, the element is more resistant to hard blows than quartz lamp or tube and open coil types.

**Rigid Extruded Aluminum Housing** protects heating element from harsh industrial environments.

**Highly Polished Aluminum Reflectors** give good reflectivity and heat transfer, and are easily cleaned to maintain energy efficiency.

#### Accessories

**Protective Grille** — Optional snap-in sections help protect personnel and work from contact with hot elements.

**Companion Reflector** — Optional radiant companion reflectors improve oven efficiency. See Radiant Accessories in this section.

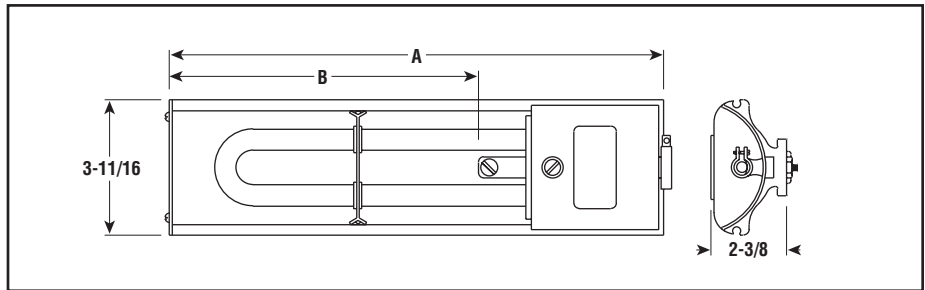
**Note:** Model U-RAD<sup>®</sup> heaters are not listed for use in fixed electric space heated applications under NEC 424. If they are to be used in such applications, installation must be approved by local code enforcement authorities.

## U-RAD<sup>®</sup>

### Single Hairpin Element Radiant Heater (cont'd.)



#### Dimensions (Inches)



#### Specifications and Ordering Information

kW	Volt	Length (In.)		Model	Stock	PCN	Optional Grille <sup>2</sup>	Replacement Elements <sup>1</sup>	Wt. (Lbs.)
		Overall A	Heated B						
0.8	120	12-3/4	8-5/16	U-RAD-2	NS	110672	(1) GR-800	UTU-2	4
0.8	208	12-3/4	8-5/16	U-RAD-2V	NS	110680	(1) GR-800	UTU-2V	4
0.8	240	12-3/4	8-5/16	U-RAD-2	NS	110699	(1) GR-800	UTU-2	4
0.8	275	12-3/4	8-5/16	U-RAD-2V	NS	110701	(1) GR-800	UTU-2V	4
1.1	120	15-7/8	11-7/16	U-RAD-3	NS	110710	(1) GR-800	UTU-3	5
1.1	208	15-7/8	11-7/16	U-RAD-3V	NS	110728	(1) GR-800	UTU-3V	5
1.1	240	15-7/8	11-7/16	<b>U-RAD-3</b>	<b>S</b>	<b>110736</b>	(1) GR-800	UTU-3	5
1.1	275	15-7/8	11-7/16	U-RAD-3V	NS	110744	(1) GR-800	UTU-3V	5
1.8	208	23-13/16	19-3/8	U-RAD-4V	NS	110760	(1) GR-2	UTU-4V	7
1.8	240	23-13/16	19-3/8	U-RAD-4	NS	110752	(1) GR-2	UTU-4	7
1.8	275	23-13/16	19-3/8	U-RAD-4V	NS	110779	(1) GR-2	UTU-4V	7
1.8	480	23-13/16	19-3/8	<b>U-RAD-4</b>	<b>S</b>	<b>114497</b>	(1) GR-2	UTU-4	7
2.5	208	31-1/4	26-13/16	<b>U-RAD-5V</b>	<b>S</b>	<b>110795</b>	(1) GR-3	UTU-5V	8
2.5	240	31-1/4	26-13/16	U-RAD-5	NS	110787	(1) GR-3	UTU-5	8
2.5	275	31-1/4	26-13/16	U-RAD-5V	NS	113793	(1) GR-3	UTU-5V	8
2.5	480	31-1/4	26-13/16	<b>U-RAD-5</b>	<b>S</b>	<b>110808</b>	(1) GR-3	UTU-5	8
3	208	37-1/4	32-13/16	U-RAD-6V	NS	110824	(2) GR-2	UTU-6V	10
3	240	37-1/4	32-13/16	U-RAD-6	NS	110816	(2) GR-2	UTU-6	10
3	275	37-1/4	32-13/16	U-RAD-6V	NS	110840	(2) GR-2	UTU-6V	10
3	480	37-1/4	32-13/16	<b>U-RAD-6</b>	<b>S</b>	<b>110832</b>	(2) GR-2	UTU-6	10
3.6	208	43-3/8	38-15/16	U-RAD-7V	NS	110867	(1) GR-4	UTU-7V	12
3.6	240	43-3/8	38-15/16	<b>U-RAD-7</b>	<b>S</b>	<b>110859</b>	(1) GR-4	UTU-7	12
3.6	275	43-3/8	38-15/16	U-RAD-7V	NS	110883	(1) GR-4	UTU-7V	12
3.6	480	43-3/8	38-15/16	<b>U-RAD-7</b>	<b>S</b>	<b>110875</b>	(1) GR-4	UTU-7	12

METAL SHEATH  
RADIANT

**Stock Status:** S = stock NS = non-stock  
**To Order** — Specify model, PCN, kW, volts, quantity, optional grille and replacement elements (if needed).

1. Refer to Tubular Heaters section.
2. See Accessories in this section for ordering information.