

## TPR

### Heat Trace Freeze Protection Thermostat

- TPR Direct Mount for Freeze Protection (Ambient)
- Fixed Factory Setpoint 40°F(4.4°C)
- 22 Amp Resistive Switch
- Single Pole Double Throw (SPDT) Switch
- High Accuracy
- NEMA 4X & IP 65 Enclosure
- UL, CSA and CE Approved



#### Description

The Chromalox TPR thermostat is designed to control heat tracing systems used for freeze protection in nonhazardous locations. The thermostat has a fixed setpoint of 40°F(5°C) and can be used for ambient sensing or line sensing. It can be used to control a single heat trace circuit or as a pilot controller of a contactor switching multiple circuits.

#### Specifications

Ambient Temperature Limits.....	-30°F to +140°F (-34°C to 60°C)
Media Temperature Limits.....	-40°F to +160°F (-40°C to 71°C)
Enclosure.....	NEMA 4X, IP65
Switch Output.....	One SPDT
Electrical Rating.....	22 Amps 125/250/480 VAC resistive
Weight.....	1.1 lbs. (.5 kg)
Entries.....	One 3/4" (19mm) through hole
Connection.....	Two 14 AWG(2 mm <sup>2</sup> ) pigtails, One ground screw
Temperature Assembly.....	3 ft. tinned plated copper bulb & capillary
Fill.....	Silicone oil filled
Temperature.....	Deadband Typically 3% of range
Bulb Dimensions (TXR & TXL).....	Length 3-1/8", OD 1/16"

**WARNING** — HAZARD OF FIRE. These devices function as temperature controls only. Because they do not fail-safe, an approved temperature and/or pressure safety control must be used for safe operation.

# Heating Cable

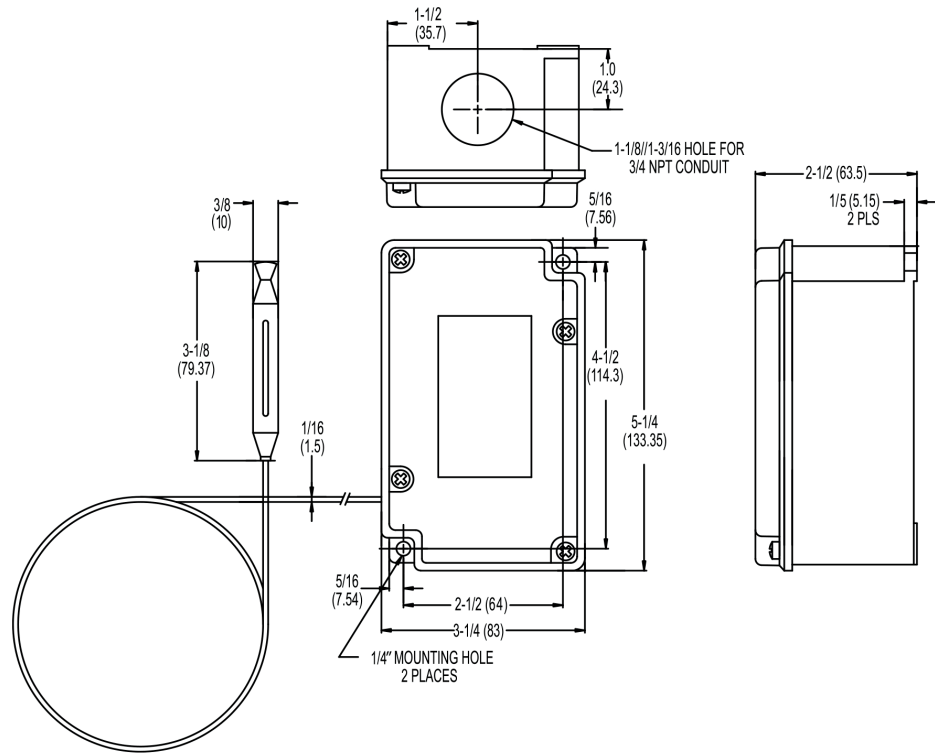
## TPR

Heat Trace Freeze  
Protection Thermostat

*(cont'd.)*

*Dimensions In. (mm)*

*TPR Thermostat*



### Ordering Information

Thermostat Type	Model	Switch Output	Enclosure NEMA	Stock Status	PCN
Freeze Protection 40°F (4.4°C)	TPR	Single Output	4X	<b>S</b>	390221