

## TPR & TPF

### Side Mount Fluoropolymer Coated Metal Thin Blade Heaters

#### TPR — Round Cross Section Elements

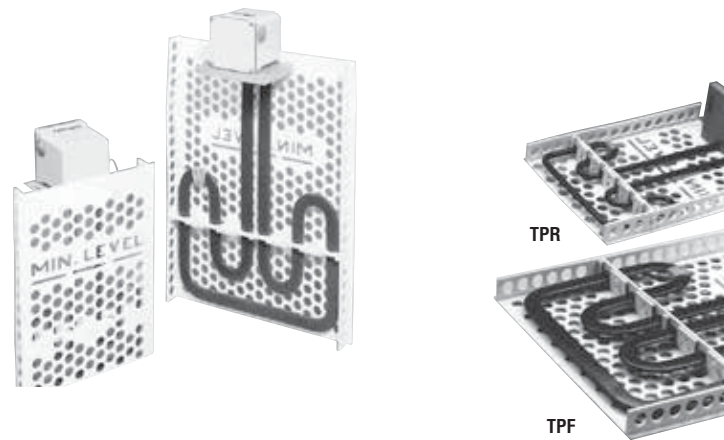
- Fluoropolymer Coated Stainless Steel Elements
- 20 W/In<sup>2</sup>
- 1 - 8 kW
- 120, 240 and 480 Volt, Single Phase
- Moisture Resistant Terminal Enclosure

#### TPF — Flat Elements

- Fluoropolymer Coated Stainless Steel Thinblade Elements
- 20 W/In<sup>2</sup>
- 3 - 10 kW
- 240 and 480 Volt, Three Phase
- Moisture Resistant Terminal Enclosure

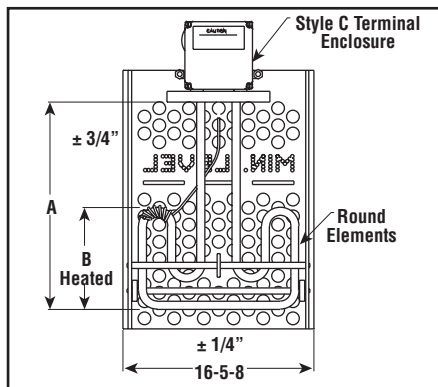
#### Features

- Moisture Resistant Terminal Enclosure
- Standard Polypropylene Guard
- Side Mounted Construction with PVC Mounting Flange
- Overtemperature Protection Integral Manual Reset Cutout (240°F)
- Low Profile, Light Weight

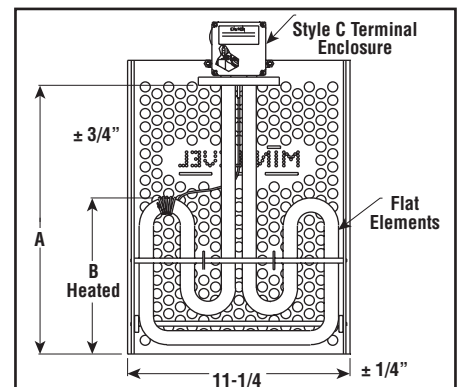


OVER-THE-SIDE

TPR — Dimensions (Inches)



TPF — Dimensions (Inches)



#### Specifications and Ordering Information

kW	Volts	W/In <sup>2</sup>	Phase	Dimensions (In.)		Fluoropolymer			WT. (Lbs.)
				A	B	Model	Stock	PCN	
<b>TPR — Round Cross Section Elements</b>									
1	120	20	1	13	6	TPR-101	S	097287	4
1	240	20	1	13	6	TPR-102	NS	097295	4
2	240	20	1	21	12	TPR-202	S	097308	5
2	480	20	1	21	12	TPR-204	NS	097316	5
3	240	20	1	26	17	TPR-302	S	097324	6
3	480	20	1	26	17	TPR-304	NS	097332	6
4	240	20	1	31	22	TPR-402	S	097340	7
4	480	20	1	31	22	TPR-404	S	097359	7
6	240	20	1	42	33	TPR-602	S	097367	10
6	480	20	1	42	33	TPR-604	NS	097375	10
8	240	20	1	53	44	TPR-802	NS	097383	12
8	480	20	1	53	44	TPR-804	NS	097391	12
<b>TPF — Flat Elements</b>									
3	240	20	3	20	11	TPF-302	S	097439	8
3	480	20	3	20	11	TPF-304	S	097447	8
4	240	20	3	23	14	TPF-402	NS	097455	9
4	480	20	3	23	14	TPF-404	S	097463	9
6	240	20	3	30	21	TPF-602	S	097471	11
6	480	20	3	30	21	TPF-604	S	097480	11
8	240	20	3	37	28	TPF-802	S	097498	12
8	480	20	3	37	28	TPF-804	S	097500	12
10	240	20	3	44	35	TPF-1002	S	097535	14
10	480	20	3	44	35	TPF-1004	S	097543	14

Stock Status: S = stock NS = non-stock  
To Order—Specify model, PCN, kW, volts, phase and quantity.

Note: 480 Volt units not UL Listed or CSA Certified