

THR, THL, TXR & TXL

Heat Trace/Freeze Protection Thermostats

- THL & TXL Direct Mount for Freeze Protection (Ambient)
- THR & TXR Remote Mount for Heat Trace (Bulb & Capillary)
- 22 Amp Resistive Switch
- Single and Dual Output Models
- $\pm 1\%$ Setpoint Repeatability
- Fast Response for Protection of Valves and Piping
- NEMA 4X, 7 and 9 Enclosures

Applications

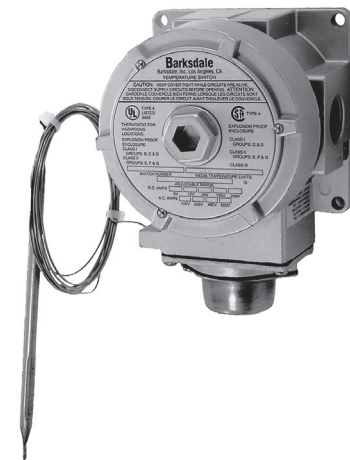
- THR NEMA 4X Line or Pipe Sensing
- THL NEMA 4X Ambient Air Sensing
- TXR NEMA 7 Line or Pipe Sensing
- TXL NEMA 7 Ambient Air Sensing

WARNING: Hazard of Fire. These devices function as temperature controls only. Because they do not fail-safe, an approved temperature and/or pressure safety control must be used for safe operation.

THR & THL
NEMA 4X



TXR & TXL
NEMA 7



Description

Maintaining proper viscosity and flow is critical in heat trace or freeze protection applications. The THR remote mount thermostats utilize a stainless steel bulb and capillary design to accurately sense temperature at key points along a pipe. The THL direct mount thermostats feature liquid-filled thermal assemblies and sense air

temperatures from 15 to 140°F. Both models are epoxy coated to seal from moisture and contaminants in compliance with NEMA 4X requirements. NEMA 7 stats TXR and TXL are designed for Class I, Division I and 2, Groups B, C, D, and Class 2, Division I and 2, Group E, F, G.

Specifications

Ambient Temperature Limits	-40° to +160°F (THR, TXR); -58°F to +160°F (THL & TXL) (-40 to +71°C); set point typically shifts
Switch Output	One SPDT (All types)
Electrical Rating	22 Amps 125/250/480
Weight	Types THR, THL: 1.9 lbs., 30.4 oz (.9 kg) Types TXR & TXL: 3.8 lbs., 60.8 oz (1.7 kg.)
Electrical Connection	All Models, 3 Pole Terminal Block
Temperature Assembly	THR, TXR: 10' Stainless Steel Bulb & Capillary THL, TXL: Direct Mount 8" Stainless Steel Bulb
Fill	Non-toxic oil filled
Temperature Deadband	Typically 2% of range
Bulb Dimensions (TXR & TXL) (THL & TXL)	Length 8", OD 5/16" Length 8", OD 5/16"

THR, THL, TXR & TXL

Heat Trace/Freeze Protection Thermostats (*cont'd.*)

Barksdale T-Stats Approval Ratings

Model #	PCN	Approvals	UL	CSA	FM	ATEX	IECEX
THL	387049	UL, CSA	Ordinary Areas	Ordinary Areas	n/a	n/a	n/a
THR	387080	UL, CSA	Ordinary Areas	Ordinary Areas	n/a	n/a	n/a
TXL	387022	UL, CSA, FM, CE, ATEX, IECEX	Class 1, Groups B, C & D Class 2, Groups E, F & G	Class 1, Groups B, C & D Class 2, Groups E, F & G Class 3 T-Coded T4 or T5 Type 4	XP/I/1/BCD/T6 Ta = 60°C DIP/II,III/1/EFG/T6 Ta = 60°C Type 4	Ex II 2 G D Version without Relay: Ex d IIC T6 Gb Ex tb IIIC T80°C Db IP66	Version without Relay: Ex d IIC T6 Gb Ex tb IIIC T80°C Db IP66
TXR	387014	UL, CSA, FM, CE, ATEX, IECEX	Class 1, Groups B, C & D Class 2, Groups E, F & G	Class 1, Groups B, C & D Class 2, Groups E, F & G Class 3 T-Coded T4 or T5 Type 4	XP/I/1/BCD/T4 Ta = 60°C DIP/II,III/1/EFG/T4 Ta = 60°C Type 4	Ex II 2 G D Version without Relay: Ex d IIC T6 Gb Ex tb IIIC T80°C Db IP66	Version without Relay: Ex d IIC T6 Gb Ex tb IIIC T80°C Db IP66

Ordering Information

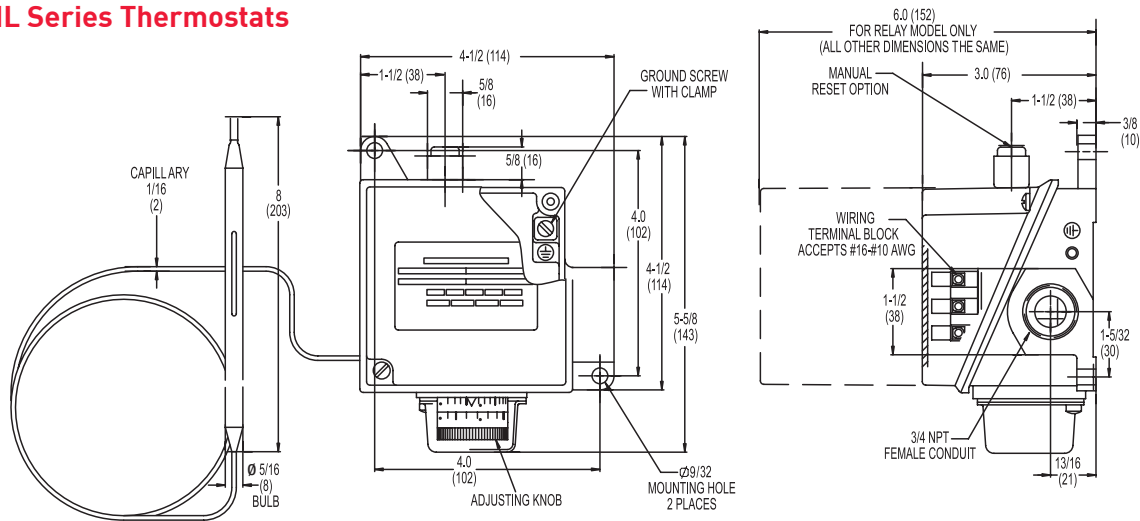
Thermostat Type	Model	Switch Output	Enclosure NEMA	Stock Status	PCN
Heat Trace, Remote Bulb and Capillary 25 - 325°F (-5 to +163°C)	THR	Single Output	4X	S	387030
	TXR	Single Output	4X,7,9	S	387049
Freeze Protection Direct Mount 15 - 140°F (-10 to +60°C)	THL	Single Output	4X	S	387014
	TXL	Single Output	4X,7,9	S	387022

THR, THL, TXR & TXL

Heat Trace/Freeze Protection Thermostats (*cont'd.*)

Dimensions (In.)

THR & THL Series Thermostats



TXR & TXL Series Thermostats

