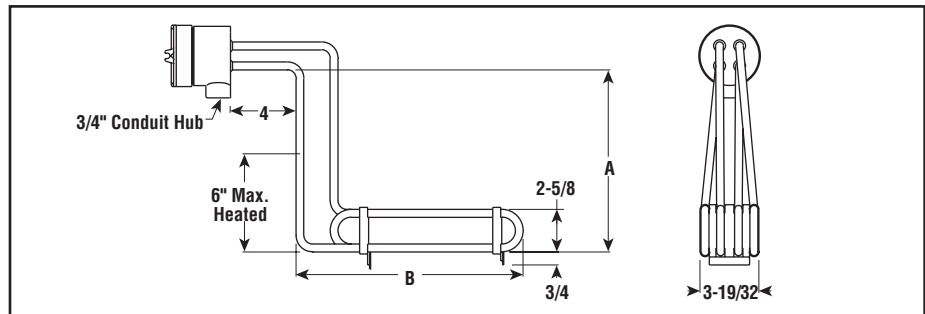


TBL & TBL-A Salt Bath Heaters

- Steel and INCOLOY® Sheath Elements
- 20 W/In²
- 3, 4.5, 6 and 7.5 kW
- 240 and 480 Volt, Single Phase



Dimensions (Inches)



Features

- Cast Iron Moisture Resistant Terminal Enclosure
- Bottom Mounted L-Shaped Construction
- Sludge Legs, order separately (factory installed)

Applications

- Primarily for use in Salt Baths

Specifications and Ordering Information

| kW | Volts | W/In ² | Phase | Dimensions (In.) | | Model | Stock | PCN | Wt. (Lbs.) |
|-----------------------------------------------|-------|-------------------|-------|------------------|---------|-----------|-------|--------|------------|
| | | | | A | B | | | | |
| TBL – Steel (20 W/In²) | | | | | | | | | |
| 3 | 240 | 20 | 1 | 11-1/8 | 13-7/8 | TBL-1301 | NS | 192735 | 18 |
| 3 | 480 | 20 | 1 | 11-1/8 | 13-7/8 | TBL-1301 | NS | 192727 | 18 |
| 4.5 | 240 | 20 | 1 | 11-1/8 | 15 | TBL-4501 | NS | 192743 | 21 |
| 4.5 | 480 | 20 | 1 | 11-1/8 | 15 | TBL-4501 | NS | 192751 | 21 |
| 6 | 240 | 20 | 1 | 11-7/8 | 20-5/16 | TBL-6001 | NS | 192760 | 27 |
| 6 | 480 | 20 | 1 | 11-7/8 | 20-5/16 | TBL-6001 | NS | 192778 | 27 |
| 7.5 | 240 | 20 | 1 | 14-5/8 | 25-9/16 | TBL-7501 | NS | 192786 | 35 |
| 7.5 | 480 | 20 | 1 | 14-5/8 | 25-9/16 | TBL-7501 | NS | 192794 | 35 |
| TBL-A – INCOLOY® (20 W/In²) | | | | | | | | | |
| 3 | 240 | 20 | 1 | 11-1/8 | 13-7/8 | TBL-A-131 | NS | 192807 | 18 |
| 3 | 480 | 20 | 1 | 11-1/8 | 13-7/8 | TBL-A-131 | NS | 192815 | 18 |
| 4.5 | 240 | 20 | 1 | 11-1/8 | 15 | TBL-A-451 | NS | 192823 | 21 |
| 4.5 | 480 | 20 | 1 | 11-1/8 | 15 | TBL-A-451 | NS | 192831 | 21 |
| 6 | 240 | 20 | 1 | 11-7/8 | 20-5/16 | TBL-A-601 | NS | 192840 | 27 |
| 6 | 480 | 20 | 1 | 11-7/8 | 20-5/16 | TBL-A-601 | NS | 192851 | 27 |
| 7.5 | 240 | 20 | 1 | 14-5/8 | 25-9/16 | TBL-A-751 | NS | 192866 | 35 |
| 7.5 | 480 | 20 | 1 | 14-5/8 | 25-9/16 | TBL-A-751 | NS | 192874 | 35 |

Stock Status: S = stock NS = non-stock
To Order—Specify model, PCN, kW, volts, phase and quantity.