

Surface Plate Thermocouples

Type J, K, and T Thermocouples

- Grounded

Plate Size

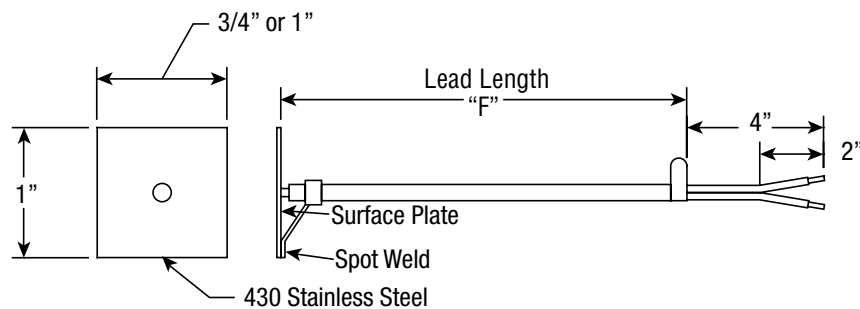
- 1" X 1"
- 3/4" X 1"

Termination Options

- T/C Wire with Stripped Leads
- Spade Lugs
- Thermocouple Plugs



Dimensions - SPT (Surface Plate Thermocouple)



Description

Surface Plate Thermocouples are ideal for measuring the temperature of a flat surface such as a grill plate or oven wall. A wide selection of sensors, lead wire termination options and accessories is available from stock or can quickly be manufactured to customer specifications.

Applications

- Grill Plates
- Oven Walls

Surface Plate Thermocouples

Ordering Information

SPT Surface Plate Thermocouple						
CODE	Thermocouple Alloy	Min Temp F.	Max Temp F.			
J	Iron/Constantan	32	700			
K	Chromel/Alumel	32	1600			
T	Copper/Constantan	-328	400			
CODE	Lead Wire Type 20 Gauge Standed Conductor			Thermocouple Types		
F4	Fiberglass insulation - Stranded conductor			J,K		
F6	Fiberglass insulation - Stranded conductor - stainless steel overbraided			J,K,T		
T3	Teflon insulation - Stranded conductor			J,K,T		
CODE	Lead Length "F" Dimension					
XXX	XXX = Lead Length in inches					
CODE	Plate Size					
A	1" x 1"					
B	3/4" x 1"					
CODE	Termination Options	Thermocouple Types				
01	None	J,K,T				
02	Leads stripped 2"	J,K,T				
03	Leads stripped 2" with spade lugs	J,K,T				
04	Leads stripped 2" with 1/2" NPT Bx connector	J,K,T				
05	Leads stripped 2" with spade lugs & 1/2" NPT Bx connector	J,K,T				
06	Standard thermocouple plug*	J,K,T				
07	Standard thermocouple jack*	J,K,T				
08	Standard thermocouple plug with mating connector*	J,K,T				
09	Standard thermocouple jack with mating connector*	J,K,T				
10	Miniature thermocouple plug*	J,K				
11	Miniature thermocouple jack*	J,K				
12	Miniature thermocouple plug with mating connector*	J,K				
13	Miniature thermocouple jack with mating connector*	J,K				
* Plugs and Jacks 500°F maximum temperature						
SPT-	J	F6	036	A	02	Typical Model Number