

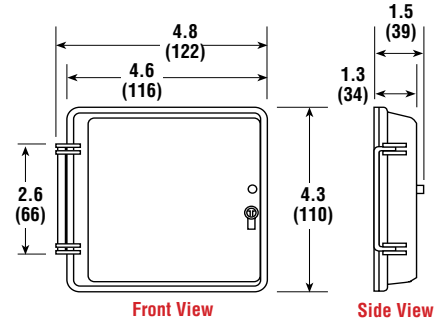
Splash Guard Instrument Cover

Protects 1/4 DIN Panel Mounted Instruments Against:

- Mechanical Damage
- Unauthorized Operation
- Dust and Splashwater



Dimensions



Ordering Information

Description	Part Number	PCN
Splash-Guard	0148-00012	314421

Features

- High impact strength, high temperature plastic
- Heat Resistant up to 266°F (130°C)
- Protection to DIN 40050, dust-tight and splashproof IP54
- Supplied with 2 keys
- Use with 1/4" DIN models

All Dimensions in Inches (mm)
Note: Controllers not included.

Super Splash Guard Instrument Cover Model 0076-12034

NEMA 4 Protection

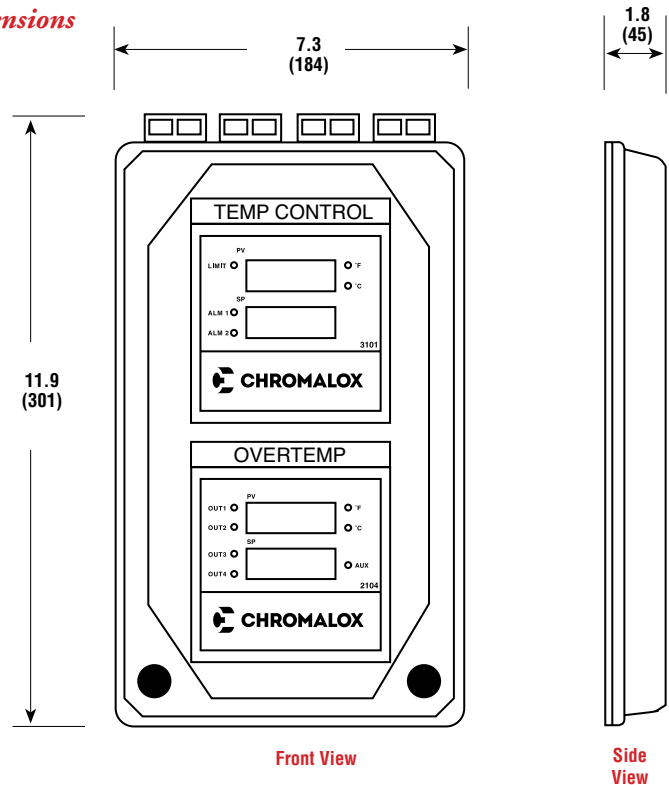
Protects Two 1/4 DIN Panel Mounted Instruments Against:

- Mechanical Damage
- Unauthorized Operation
- Dust and Splashwater

Features

- High impact strength, high temperature plastic
- Heat Resistant up to 266°F (130°C)
- NEMA 4 Protection
- Supplied with 2 keys

Dimensions



Ordering Information

Description	Part Number	PCN
Splash-Guard	0076-12034	321939

All Dimensions in Inches (mm)
Note: Controllers not included.