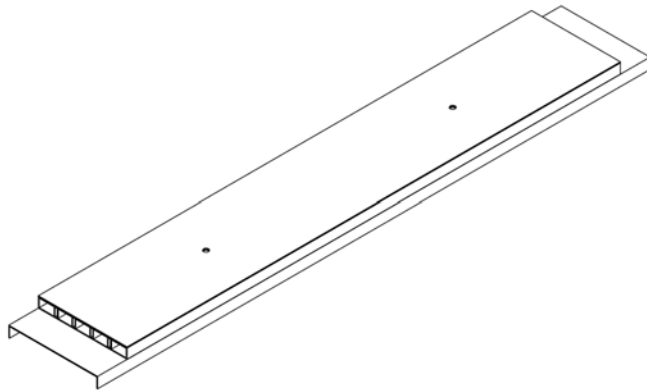


Heating Cable

SMP

Snow Melt Panel

- Long Term Snow Melting Solution
- Mechanically protects the Heat Trace
- Conceals Heat Trace so it is more aesthetically pleasing
- Solution for heavy snow load areas
- 9" (229 mm) Width
- Maximum 50" (2.3 mm) Length
- Utilizes SRM/E heating cable
- Constructed of aluminum for uniform heating across surface

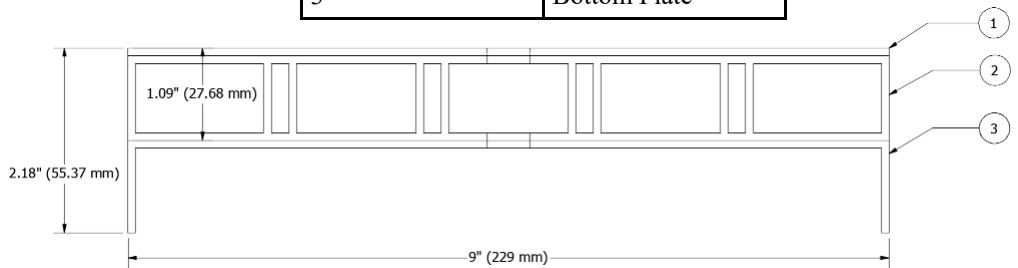


Description

The Chromalox Snow Melt Panels (SMP) are designed to melt snow on suspended surfaces such as metal stairs, catwalks, walkways etc. The SMP panels are mounted underneath these types of surfaces to ensure maximum thermal transfer between the panel and the heated surface.

The SMP consists of a top plate, aluminum channels that provide a path for the SRM/E heating cable, and a bottom plate with 1" closed cell foam insulation to minimize heat loss from the bottom surface of the SMP. The SMP uses 4 runs of SRM/E 20-CT Heating cable.

1	Top Plate
2	Aluminum Channels
3	Bottom Plate



Note: Junction boxes, conduits and studs for attachment are provided by others. Appropriate control and monitoring systems should be used with the SMP system. For heating cable specs refer to the SRM/E datasheet.

Model	PCN
SMP	394345