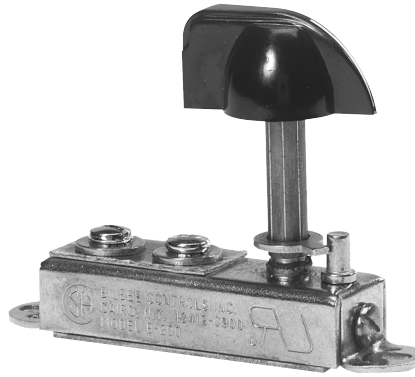


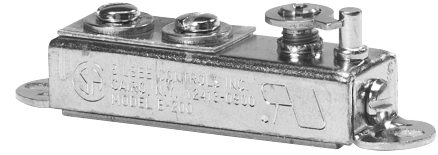
SA Low Wattage (Appliance) Thermostat



- 100 - 600°F Temperature Range
- Non-Indicating
- 120 and 240 Vac, Single Phase



Adjusting Knob Type



Set Screw Type

Application

- Appliances
- Any device which permits direct contact with heated surface.

Features

- Temperature adjustment via knob or set-screw
- Mounts firmly to heated surface

- Temperature differential of approximately 5 to 20°F depending on rate of temperature change, location, mounting, etc.
- Slow make and break single pole, single throw (SPST) switch cannot be used for pilot duty with a magnetic contactor.
- To prevent excessive arcing of contacts on 240 Vac use of 0.1 to 0.25 µf capacitor may be required. Obtain from radio supply outlet.

WARNING: Hazard of Fire. These devices function as temperature controls only. Because they do not fail-safe, an approved temperature and/or pressure safety control must be used for safe operation.

Dimensions

Fig. 1 — Adjusting Knob Type

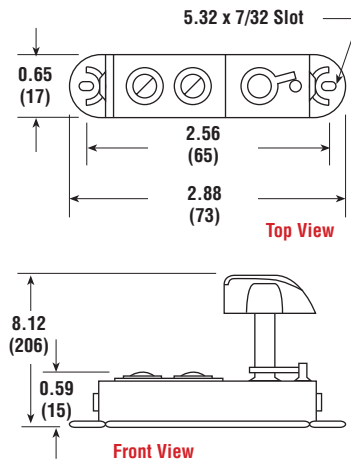
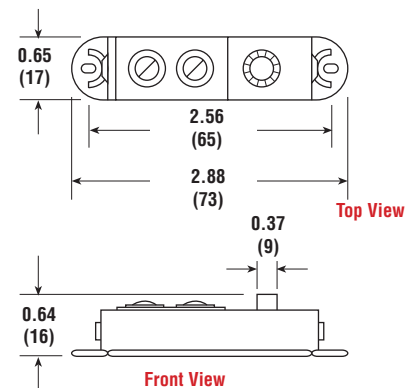


Fig. 2 — Set Screw Type



All Dimensions in Inches (mm)

Specifications and Ordering Information

Temp. Range (°F)	Max. Capacity Watts	Max. Current			Model	Stock	PCN	Wt. (Lbs.)
		120V	240V	Style				
100 - 450	1500	12	6	Fig.1	SA-501	S	263193	0.17
100 - 600	1500	12	6	Fig. 2	SA-501A	S	263222	0.17
200 - 550	1500	12	6	Fig. 1	SA-601	S	263206	0.17
250 - 600	1500	12	6	Fig. 1	SA-701	S	263214	0.17

Stock Status: S = stock AS = assembly stock NS = non-stock

1. Range specified is the useable range. Minimum and maximum limits may extend beyond the specified range.