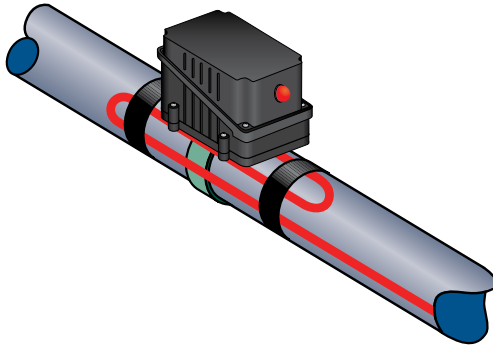


PRODUCT OVERVIEW



Chromalox® RTST-SL splice and tee box with signal light is a NEMA 4X rated junction box designed to make straight or tee splices for CPR, CPM and CZH, and are approved for ordinary and hazardous location areas. These models provide water resistant cable entry for two cables for a splice or three cables for a tee, enclosure support, terminal block, and a water and corrosion resistant wiring enclosure. The enclosure is molded of durable, high performance polyphenylene sulfide (PPS) thermoplastic that is corrosion resistant, non-flammable, impact resistant, resistant to acids and alkalis, resistant to sunlight and abrasion, exhibits high strength, and provides high temperature stability. Hardware is stainless steel to ensure the integrity of the system. A pipe strap (PS Series) is required for a complete installation of this product. A small pipe adapter is available for pipe sizes less than 1½ inch (38 mm).

DESCRIPTION

This kit provides a splice and tee junction box with an LED signal light and three conduit entries.

KIT CONTENTS

- 1 Molded Junction Box Consisting of:
 - 1 Base
 - 1 Box with Conduit Opening
 - 1 Lid with LED Signal Light (120-277V)
- 1 Three-Position Terminal Block
- 1 Black Cable Grommet
- 1 Orange Cable Grommet
- 1 Cover Gasket
- 4 Cover Screws
- 4 Box Screws
- 1 Mounting Screw for Terminal Block

MATERIALS

Junction Box	Electrostatic-charge-resistant, glass-filled engineered polymer, black
Self-Regulating Cable Grommet	Silicone rubber, black
Constant-Wattage Cable Grommet	Silicone rubber, orange
Cover Gasket, O-Ring	Silicone rubber, black
Cover Screws (4)	Stainless steel

COMMERCIAL RTST-SL SPLICE & TEE BOX WITH SIGNAL LIGHT

APPROVALS



- Ordinary Areas
- Class I, Division 2, Groups B, C, D
- Class II, Division 2, Groups E, F, G
- Class III
- T-Rating*

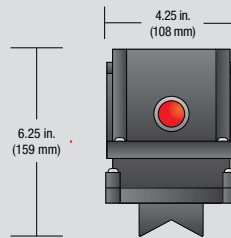


- Ordinary Areas

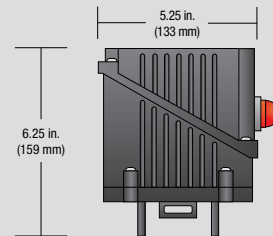
*See cable schedule

DIMENSIONS

Front View



Side View



PRODUCT SPECIFICATIONS

Heating Cable Use	CPR, CPM CZH
Ingress Protection	IP66
Conduit Hub Size	3/4 in. (19 mm)
Minimal Install Temperature	-40°F (-40°C)
Maximum Pipe Temperature	482°F (250°C)
Terminals	2 for line, 1 for ground
Maximum Voltage	500 V,
Maximum Current	32 A (steady-state)
Conductor Size Range	12 - 22 AWG
Weight	4 lb (1.81 kg)

ORDER DETAILS

Catalog Description	Commercial RTST-SL Splice and Tee Box With Signal Light
Part Number (RTST-SL1).....	513156 (120V LED)
Part Number (RTST-SL2).....	513164 (208-240V LED)
Part Number (RTST-SL3).....	513172 (277V LED)



1347 Heil Quaker Blvd
LaVergne, TN 37086

TECHNICAL SUPPORT
412-967-3940

email: sales@chromalox.com
www.chromalox.com

*press 1 to be directed to heat trace support