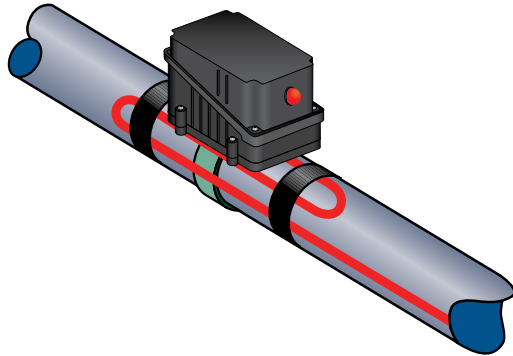


## PRODUCT OVERVIEW



Chromalox® RTPC-SL power connection box with signal light is a NEMA 4X rated junction box for connecting SRL, SRM/E and CWM heating cables to customer-supplied wiring for freeze protection, piping process temperature maintenance, and fluid flow and viscosity maintenance applications. This kit provides water resistant cable entry for up to three cables, enclosure support, terminal block and a water resistant, corrosion resistant wiring enclosure with a ¾-inch (19 mm) opening to accept a conduit hub (Chromalox CCH-2 or equal), and is approved for ordinary and hazardous are locations. The enclosure is molded of durable, high-performance polyphenylene sulfide (PPS) thermoplastic that is corrosion-resistant, non-flammable, impact-resistant, resistant to acids and alkalies, resistant to sunlight and abra-sion, exhibits high strength, and provides high-temperature stability. Hardware is stainless steel to ensure the integrity of the system. A pipe strap (Chromalox PS Series) is required for a complete installation of this product. A small pipe adapter is available for pipe sizes less than 1½ inch (38 mm).

## DESCRIPTION

This kit provides a junction box with an LED signal light and one conduit entry.

## KIT CONTENTS

- 1 Molded Junction Box Consisting of:
  - 1 Base
  - 1 Box with Conduit Opening
  - 1 Lid with LED Signal Light Installed
- 1 Three-Position Terminal Block\*
- 1 Black Cable Grommet
- 1 Orange Cable Grommet
- 1 Cover Gasket
- 4 Cover Screws
- 4 Box Screws
- 1 Mounting Screw for Terminal Block

## MATERIALS

<b>Junction Box</b> .....	Electrostatic-charge-resistant, glass-filled engineered polymer, black
<b>Self-Regulating Cable Grommet</b> .....	Silicone rubber, black
<b>Constant-Wattage Cable Grommet</b> .....	Silicone rubber, orange
<b>Cover Gasket, O-Ring</b> .....	Silicone rubber, black
<b>Cover Screws (4)</b> .....	Stainless steel

# INDUSTRIAL RTPC-SL POWER CONNECTION BOX WITH SIGNAL LIGHT

## APPROVALS



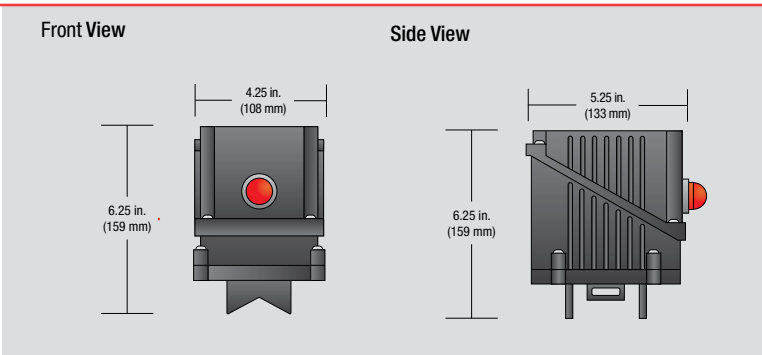
- Ordinary Areas
- Class I, Division 2, Groups B, C, D
- Class II, Division 2, Groups E, F, G
- Class III
- T-Rating\*



- Ordinary Areas

\*See cable schedule

## DIMENSIONS



## PRODUCT SPECIFICATIONS

Heating Cable Use .....	SRL, SRM/E, CWM
Ingress Protection .....	IP66
Conduit Hub Size .....	3/4 in. (19 mm)
Minimal Install Temperature .....	-40°F (-40°C)
Maximum Pipe Temperature .....	482°F (250°C)
Terminals .....	2 for line, 1 for ground
Maximum Voltage .....	500 V,
Maximum Current .....	32 A (steady-state)
Conductor Size Range .....	12 - 22 AWG
Weight .....	4 lb (1.81 kg)

## ORDER DETAILS

Catalog Description .....	Industrial RTPC-SL Power Connection Box With Signal Light
Part Number (RTPC-SL1).....	389626 (120V LED)
Part Number (RTPC-SL2).....	389634 (208-240V LED)
Part Number (RTPC-SL3).....	389642 (277V LED)



1347 Heil Quaker Blvd  
LaVergne, TN 37086

TECHNICAL SUPPORT  
412-967-3940

email: [sales@chromalox.com](mailto:sales@chromalox.com)  
[www.chromalox.com](http://www.chromalox.com)

\*press 1 to be directed to heat trace support