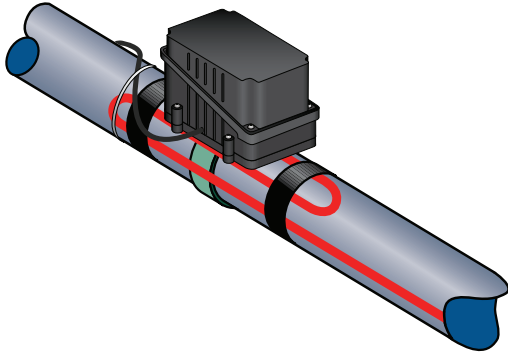


PRODUCT OVERVIEW



Chromalox® RTBC Line Sensing Thermostat combines temperature control and a power connection in a convenient, easy-to-use package for process maintenance applications in ordinary areas for SRL, SRM/E and CWM heating cables. The thermostat is mounted within the enclosure and the capillary is brought out through one of the openings in the bottom of the box. This design provides extra protection for the capillary, especially when the control is mounted on a pipe for heat tracing applications. The 3 ft (0.9 m) long stainless steel capillary provides flexibility for different mounting locations. The NEMA 4X rated enclosures are molded of durable, weather and corrosion-resistant polyphenylene sulfide (PPS), designed to keep moisture from reaching the electrical connections.

DESCRIPTION

These kits provide a line-sensing thermostat as well as termination for process maintenance applications.

KIT CONTENTS

- 1 Molded Junction Box Consisting of:
 - 1 Base
 - 1 Box with Conduit Opening
 - 1 Lid
- 1 Three-Position Terminal Block
- 1 Black Cable Grommet
- 1 Orange Cable Grommet
- 1 Cover Gasket
- 4 Cover Screws
- 4 Box Screws
- 1 Mounting Screw for Terminal Block
- 1 8-in. (203-mm) length of 14 AWG insulated wire
- 1 Capillary Grommet
- 1 Ring Connector
- 1 Uninsulated Barrel Connector
- 1 Thermostat

MATERIALS

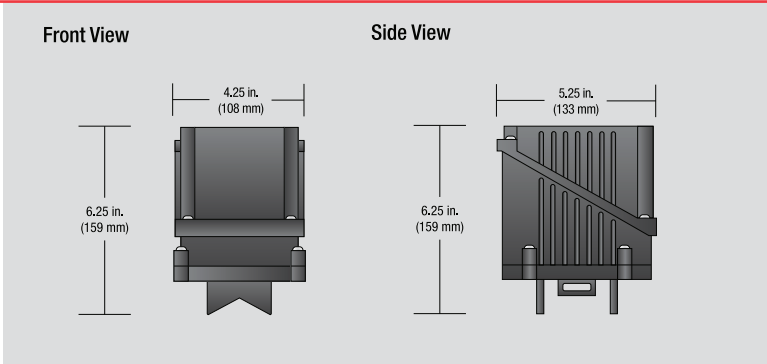
Junction Box, Pipe Standoff	Electrostatic-charge-resistant, glass-filled engineered polymer, black
Temperature Probe	Stainless Steel
Self-Regulating Cable Grommet	Silicone rubber, black
Constant-Wattage Cable Grommet	Silicone rubber, orange
Cover Gasket	Silicone Rubber, black
Cover Screws (4)	Stainless Steel

INDUSTRIAL RTBC LINE SENSING THERMOSTAT

APPROVALS

-  • Ordinary Areas
-  • Ordinary Areas
-  • Ordinary Areas

DIMENSIONS



PRODUCT SPECIFICATIONS

Heating Cable Use	SRL, SRM/E, CWM
Ingress Protection	IP66
Entries	0.75 in (19 mm)
Operating Temperature Range	-40° to 160°F (-40° to 71°C)
Temperature Setpoint	0°F to 225°F (-18° to 107°C)
Temperature Assembly Dimensions	0.25 in (6.4 mm) diameter 7.25 in (184 mm) long 3 ft (0.91 m) capillary
Minor Scale Division	10°F (5.6°C)
Maximum Sensor Exposure Temperature	450°F (230°C)
Switch Rating	SPDT, 22A, 120-480V
Conductor Size Range	8 - 22 AWG
Maximum Circuit Breaker Rating	40 A
Maximum Circuit Breaker Rating	4 lb (1.81 kg)

ORDER DETAILS

Catalog Description	Industrial RTBC Line Sensing Thermostat
Part Number	389600



1347 Heil Quaker Blvd
LaVergne, TN 37086

TECHNICAL SUPPORT
412-967-3940

email: sales@chromalox.com
www.chromalox.com

*press 1 to be directed to heat trace support