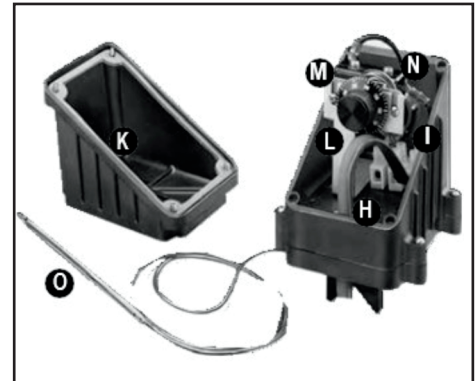
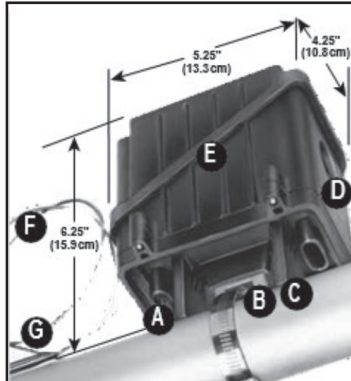




## RTBC-FS Fire Sprinkler Connection Kit

- Line Sensing Thermostat for Fire Sprinkler
- 30A ElectroMechanical Control
- Rugged, Corrosion Resistant Construction
- NEMA 4X Enclosure
- Bulb & Capillary
  - 120 - 277 VAC
  - 0 - 400°F Setpoint Range
  - 1/4" OD x 7-1/4" SS Bulb and 3 In. Capillary
  - UL Approval for Fire Sprinkler Branch Lines



### Description

RTBC-FS is a power connection kit with an integral line-sensing thermostat which is used to monitor the temperature of the fire sprinkler branch lines for compliance with IEEE 515.1.

The NEMA 4X power connection enclosure is constructed of corrosion resistant Ryton®, that features an oblique-sided box to allow easy access to terminal block and thermostat settings. The enclosure includes a 3/4" opening on the side for customer provided conduit hub. The RTBC-FS base features a waterproof cableway for the heating cable and capillary to enter the enclosure from underneath to protect the cables and thermostat from damage. The base includes a stainless steel tie down to mounting tab to strap the kit to the fire sprinkler piping with a stainless steel pipe strap (PS). Inside the enclosure is a three position terminal block for connecting the line voltage and heating cable together and the line-sensing thermostat that includes a dial temperature control knob. The RTBC-FS lid is sealed with a gasket and screws on each corner.

### Construction

- A** Strategically placed cable entries allow maximum flexibility for insulation (Heating cable cut away for clarity).
- B** Stainless steel tiedown support provides positive attachment to pipes.<sup>1</sup>
- C** Heavy duty support legs give stable pipe mounting and provide conduit clearance for applications with up to three inches of insulation.
- D** Opening for 3/4" (20 mm) conduit hub.<sup>1</sup>
- E** Stainless steel sheath temperature sensor.
- F** Cable grommets provide water-tight seal between base, box and cable. Use GRSR with all self-regulating cables. Use GRCW with constant wattage cables. One of each grommet included in kit. See table below for spare grommets.
- G** Three position terminal block for easy wiring.
- H** Power wiring entry. Conduit hub not included.
- I** Gasket provides water-tight seal between box and lid. It is affixed to the lid and holds the mounting hardware during assembly.
- J** Thermostat switch.
- K** Setpoint adjustment knob.
- L** Setpoint indicator.

### Spare Grommets

		PCN
GRS	RTD/Capillary type	513287
GRO	Blank	513295
GRSR	Self Regulating type	513308

### Approvals<sup>1</sup>

UL Listed for ordinary areas

### Notes —

1. Ryton® is a registered trade name of Phillips Chemical Company.

### Ordering Information

Model	PCN	Switch Rating (Amps/Volts)	Max. Continuous Exposure Temp.		Max. Intermittent Exposure Temp.		Wt. (Lbs.)
			°F	°C	°F	°C	
RTBC-FS	514394	30A @ 120 - 480	400	200	500	260	2

**Stock Status:** S = stock NS = non-stock  
**To Order —** Specify model, PCN and quantity.