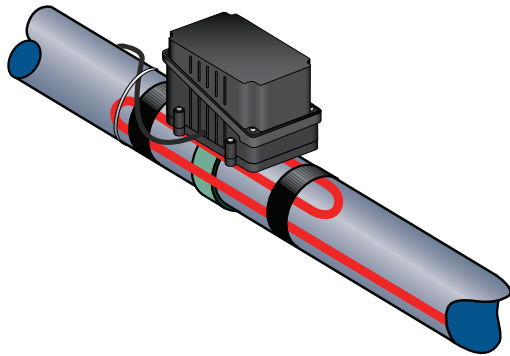


## PRODUCT OVERVIEW



Chromalox® RTBC Line Sensing Thermostat combines temperature control and a power connection in a convenient, easy-to-use package for process maintenance applications in ordinary areas for CPR, CPM and CZH heating cables. The thermostat is mounted within the enclosure and the capillary is brought out through one of the openings in the bottom of the box. This design provides extra protection for the capillary, especially when the control is mounted on a pipe for heat tracing applications. The 3 ft (0.9 m) long stainless steel capillary provides flexibility for different mounting locations. The NEMA 4X rated enclosure is molded of durable, weather and corrosion-resistant polyphenylene sulfide (PPS), designed to keep moisture from reaching the electrical connections.

## DESCRIPTION

These kits provide a line-sensing thermostat as well as termination for process maintenance applications.

## KIT CONTENTS

- 1 Molded Junction Box Consisting of:
  - 1 Base
  - 1 Box with Conduit Opening
  - 1 Lid
- 1 Three-Position Terminal Block
- 1 Black Cable Grommet
- 1 Orange Cable Grommet
- 1 Cover Gasket
- 4 Cover Screws
- 4 Box Screws
- 1 Mounting Screw for Terminal Block
- 1 8-in. (203-mm) length of 14 AWG insulated wire
- 1 Capillary Grommet
- 1 Ring Connector
- 1 Uninsulated Barrel Connector
- 1 Thermostat

## MATERIALS

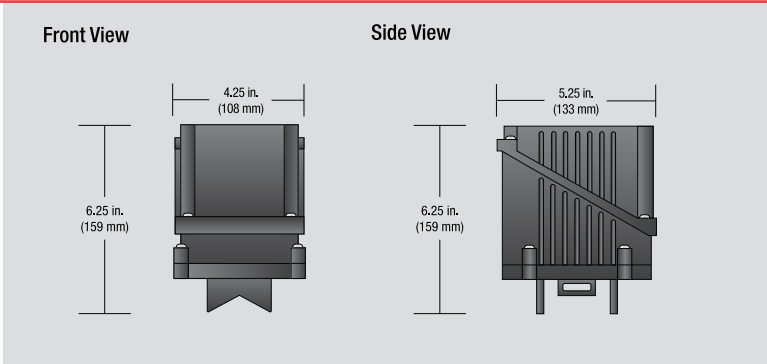
<b>Junction Box, Pipe Standoff</b> .....	Electrostatic-charge-resistant, glass-filled engineered polymer, black
<b>Temperature Probe</b> .....	Stainless Steel
<b>Self-Regulating Cable Grommet</b> .....	Silicone rubber, black
<b>Constant-Wattage Cable Grommet</b> .....	Silicone rubber, orange
<b>Cover Gasket</b> .....	Silicone Rubber, black
<b>Cover Screws (4)</b> .....	Stainless Steel

# COMMERCIAL RTBC LINE SENSING THERMOSTAT

## APPROVALS

-  • Ordinary Areas
-  • Ordinary Areas
-  • Ordinary Areas

## DIMENSIONS



## PRODUCT SPECIFICATIONS

<b>Heating Cable Use</b> .....	CPR, CPM, CZH
<b>Ingress Protection</b> .....	IP66
<b>Entries</b> .....	0.75 in (19 mm)
<b>Operating Temperature Range</b> .....	-40° to 160°F (-40° to 71°C)
<b>Temperature Setpoint</b> .....	0°F to 225°F (-18° to 107°C)
<b>Temperature Assembly Dimensions</b> .....	0.25 in (6.4 mm) diameter 7.25 in (184 mm) long 3 ft (0.91 m) capillary
<b>Minor Scale Division</b> .....	10°F (5.6°C)
<b>Maximum Sensor Exposure Temperature</b> .....	450°F (230°C)
<b>Switch Rating</b> .....	SPDT, 22A, 120-480V
<b>Conductor Size Range</b> .....	8 - 22 AWG
<b>Maximum Circuit Breaker Rating</b> .....	40 A
<b>Maximum Circuit Breaker Rating</b> .....	4 lb (1.81 kg)

## ORDER DETAILS

<b>Catalog Description</b> .....	Commercial RTBC Line Sensing Thermostat
<b>Part Number</b> .....	513201



1347 Heil Quaker Blvd  
LaVergne, TN 37086

TECHNICAL SUPPORT  
412-967-3940

email: [sales@chromalox.com](mailto:sales@chromalox.com)  
[www.chromalox.com](http://www.chromalox.com)

\*press 1 to be directed to heat trace support