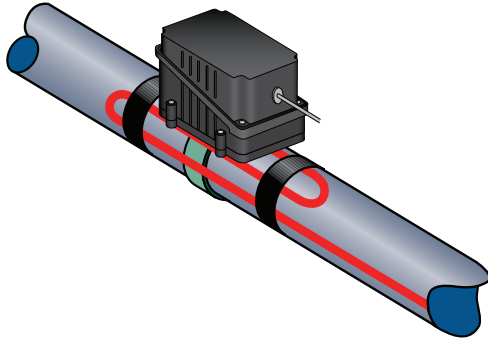


PRODUCT OVERVIEW



Chromalox® RTAS Ambient Sensing Thermostat combines temperature control and power connection in a convenient, easy-to-use package for freeze protection applications in ordinary areas for SRL, SRM/E and CWM heating cables. The thermostat is mounted through the end of the oblique sided enclosure lid, and there's room to terminate multiple heating cables. The stainless steel sheathed, inverted bellows probe provides high sensitivity, resulting in more accurate control. The NEMA 4X rated enclosure is molded of durable, weather and corrosion-resistant polyphenylene sulfide (PPS), designed to keep moisture from reaching the electrical connections.

DESCRIPTION

These kits provide an ambient-sensing thermostat as well as termination for freeze protection applications.

KIT CONTENTS

- 1 Molded Junction Box Consisting of:
 - 1 Base
 - 1 Box with Conduit Opening
 - 1 Lid
- 1 Three-Position Terminal Block
- 1 Black Cable Grommet
- 1 Orange Cable Grommet
- 1 Cover Gasket
- 4 Cover Screws
- 4 Box Screws
- 1 Mounting Screw for Terminal Block
- 1 6-in. (152-mm) length of insulating tubing
- 1 8-in. (203-mm) length of 14 AWG insulated wire
- 1 Ring connector
- 1 Uninsulated Barrel Connector
- 1 Thermostat

MATERIALS

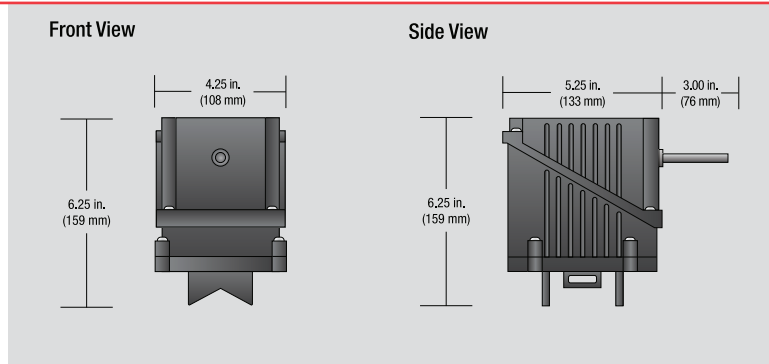
Junction Box, Pipe Standoff	Electrostatic-charge-resistant, glass-filled engineered polymer, black
Temperature Probe	Stainless Steel
Self-Regulating Cable Grommet	Silicone rubber, black
Constant-Wattage Cable Grommet	Silicone rubber, orange
Cover Gasket	Silicone Rubber, black
Cover Screws (4)	Stainless Steel

INDUSTRIAL RTAS AMBIENT SENSING THERMOSTAT

APPROVALS



DIMENSIONS



PRODUCT SPECIFICATIONS

Heating Cable Use	SRL, SRM/E, CWM
Ingress Protection	IP66
Entries	0.75 in (19 mm)
Operating Temperature Range	-40° to 160°F (-40° to 71°C)
Temperature Setpoint	0°F to 225°F (-18° to 107°C)
Temperature Assembly Dimensions	0.562 in (14.3 mm) diameter 3.0" (76.2 mm) long
Minor Scale Division	10°F (5.6°C)
Maximum Sensor Exposure Temperature	250°F (121°C)
Switch Rating	SPDT, 22A, 120-480V
Conductor Size Range	8 - 22 AWG
Maximum Circuit Breaker Rating	40 A
Maximum Circuit Breaker Rating	4 lb (1.81 kg)

ORDER DETAILS

Catalog Description	Industrial RTAS Ambient Sensing Thermostat
Part Number	389589



1347 Heil Quaker Blvd
LaVergne, TN 37086

TECHNICAL SUPPORT
412-967-3940

email: sales@chromalox.com
www.chromalox.com

*press 1 to be directed to heat trace support