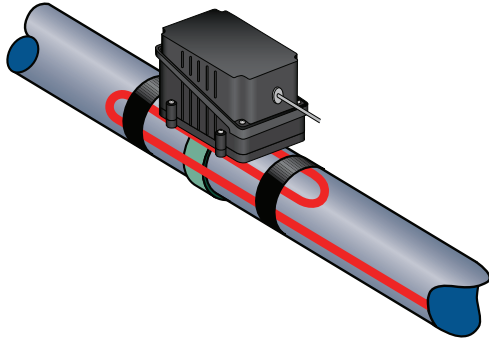


PRODUCT OVERVIEW



Chromalox® RTAS-EP is a modified version of the RTAS Ambient Sensing Thermostat. In addition to combining temperature control and power connection in a convenient, easy-to-use package for freeze protection applications, it contains a hermetically sealed switch. Since the switch has no arcing contacts, it can be used in hazardous areas for CPR, CPM, HWM and CZH heating cables. Like the RTAS, the thermostat is mounted through the end of the oblique sided enclosure lid, and there's room to terminate multiple heating cables. The stainless steel sheathed, inverted bellows probe provides high sensitivity, resulting in more accurate control. The NEMA 4X rated enclosure is molded of durable, weather and corrosion-resistant polyphenylene sulfide (PPS), designed to keep moisture from reaching the electrical connections.

DESCRIPTION

These kits provide an ambient-sensing thermostat with hermetically sealed switch, as well as termination, for freeze protection applications.

KIT CONTENTS

- 1 Molded Junction Box Consisting of:
 - 1 Base
 - 1 Box with Conduit Opening
 - 1 Lid
- 1 Three-Position Terminal Block
- 1 Black Cable Grommet
- 1 Orange Cable Grommet
- 1 Cover Gasket
- 4 Cover Screws
- 4 Box Screws
- 1 Mounting Screw for Terminal Block
- 1 6-in. (152-mm) length of insulating tubing
- 1 Uninsulated Barrel Connector
- 1 Thermostat

MATERIALS

| | |
|---|--|
| Junction Box, Pipe Standoff | Electrostatic-charge-resistant, glass-filled engineered polymer, black |
| Temperature Probe | Stainless Steel |
| Self-Regulating Cable Grommet | Silicone rubber, black |
| Constant-Wattage Cable Grommet | Silicone rubber, orange |
| Cover Gasket | Silicone Rubber, black |
| Cover Screws (4) | Stainless Steel |

COMMERCIAL RTAS-EP AMBIENT SENSING THERMOSTAT

APPROVALS



- Ordinary Areas



- Ordinary Areas
- Class I, Division 2, Groups B, C, D
- Class II, Division 2, Groups E, F, G
- Class III
- T-Rating*

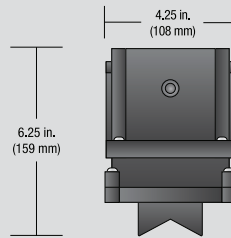


- Ordinary Areas
- Class I, Division 2 Groups B, C, D
- Class II, Division 2, Groups E*, F, G
- Class III, Division 1* (Type 4X)*
- Class III, Division 2*
- T-Rating*

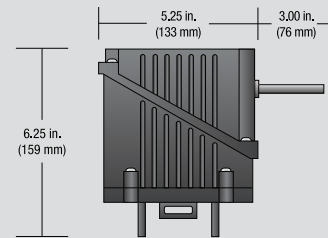
*See cable schedule

DIMENSIONS

Front View



Side View



PRODUCT SPECIFICATIONS

| | |
|--|--|
| Heating Cable Use | CPR, CPM, HWM, CZH |
| Ingress Protection | IP66 |
| Entries | 0.75 in (19 mm) |
| Operating Temperature Range | -40° to 160°F (-40° to 71°C) |
| Temperature Setpoint | 0°F to 225°F (-18° to 107°C) |
| Temperature Assembly Dimensions | 0.562 in (14.3 mm) diameter 3.0" (76.2 mm) long |
| Minor Scale Division | 10°F (5.6°C) |
| Maximum Sensor Exposure Temperature | 250°F (121°C) |
| Switch Rating | SPDT, 11A, 120-480V |
| Conductor Size Range | 8 - 22 AWG |
| Maximum Circuit Breaker Rating | 40 A |
| Maximum Circuit Breaker Rating | 4 lb (1.81 kg) |

ORDER DETAILS

| | |
|----------------------------------|---|
| Catalog Description | Commercial RTAS-EP Ambient Sensing Thermostat |
| Part Number | 513210 |



1347 Heil Quaker Blvd
LaVergne, TN 37086

TECHNICAL SUPPORT
412-967-3940

email: sales@chromalox.com
www.chromalox.com

*press 1 to be directed to heat trace support