

RBC-3 Fixed Overhead Radiant Space Heater



- 1.2 - 3.6 kW
- 4,094 - 12,283 Btuh
- 208, 240 and 480 Volt
- 1 or 3 Phase
- Moisture Resistant



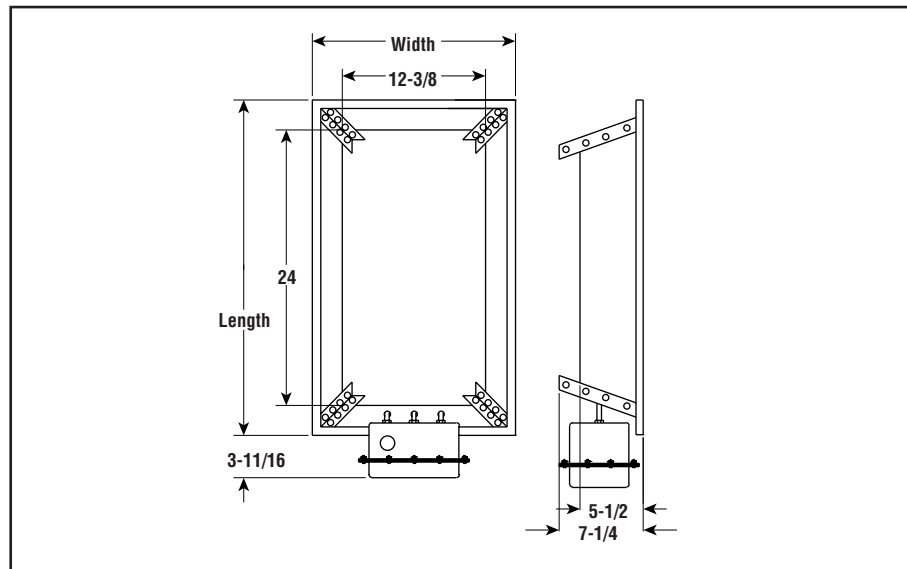
Description

RBC-3 Infrared radiant heaters are ideal for providing supplemental heat in damp locations or under-heated areas. The heater assembly can be hosed down to remove dust and dirt accumulations found in many heavy industrial locations.

Applications

- Garages
- Machine Shops
- Store Rooms
- Warehouses
- Factories
- Work Stations
- Parts Counters
- Maintenance Areas
- Shipping and Receiving Areas, Loading Docks

Dimensions (Inches)



Construction

Housing — 0.050" polished aluminum for high efficiency radiant reflectivity, re-enforced at the corners for added strength.

Heating Elements — One, two or three single ended 0.475" diameter alloy sheathed tubular heaters with liquid-tight brass threaded fittings connected to the terminal enclosure.

Field Wiring — Includes a gasketed, moisture resistant terminal enclosure allowing the heater to be hosed down to remove dust and dirt.

Mounting — No. 2 size chain and S hooks supplied for suspension.

CAUTION — Hazard of Fire. Minimum spacing from front of heater case to combustible material is 4 ft. Do not operate any radiant heater where flammable vapors, gases or liquids are present.

Advantages

- Minimum Maintenance
- Easy Installation
- No Toxic Byproducts of Combustion
- No Fuel Lines to Break
- Safer, No Open Flames

Refer to
WR-80, WR-90, VCF, VCS, VCR,
HCP in the Controls section.

RBC-3

Fixed Overhead Radiant Space Heater (cont'd.)

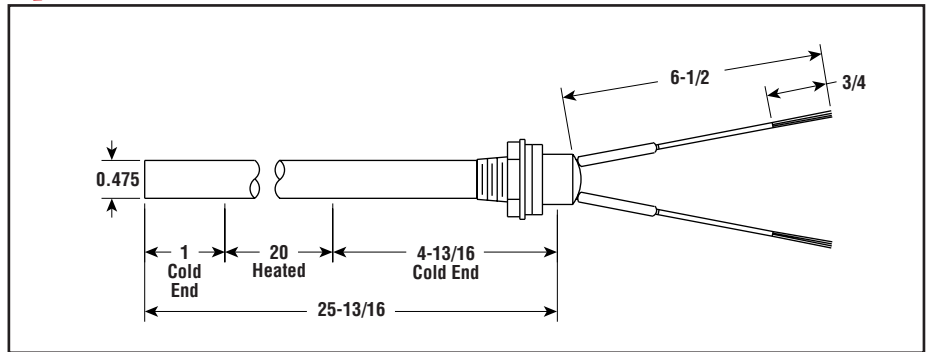
Specifications and Ordering Information

Electrical					Dimensions (In.)			Ordering			Wt. (Lbs.)
kW	Volts	Phase	No. Elem.	Btuh	Height	Width	Length	Model	Stock	PCN	
1.2	208	1	1 ¹	4,094	5-1/2	17-9/16	32-3/4	RBC-31280	NS	115043	30
1.2	240	1	1 ¹	4,094	5-1/2	17-9/16	32-3/4	RBC-31220	NS	115051	30
1.2	480	1	1 ¹	4,094	5-1/2	17-9/16	32-3/4	RBC-31240	NS	115060	30
2.4	208	2	2 ²	8,188	5-1/2	17-9/16	32-3/4	RBC-32480	NS	115078	30
2.4	240	2	2 ²	8,188	5-1/2	17-9/16	32-3/4	RBC-32420	NS	115086	30
2.4	480	2	2 ²	8,188	5-1/2	17-9/16	32-3/4	RBC-32440	NS	115094	30
3.6	208	3	3 ²	12,283	5-1/2	17-9/16	32-3/4	RBC-33680	NS	115107	30
3.6	240	3	3 ²	12,283	5-1/2	17-9/16	32-3/4	RBC-33620	NS	115115	30
3.6	480	3	3 ²	12,283	5-1/2	17-9/16	32-3/4	RBC-33640	NS	115123	30

Stock Status: S = stock AS = assembly stock NS = non-stock
To Order—Specify model, PCN, kW, volts, phase and quantity.

1. For supply connections use 75°C wire minimum.
2. For supply connections use 90°C wire minimum.

Replacement Elements — Dimensions (Inches)



RBC-3 Replacement Elements — Specifications and Ordering Information

kW	Volts	W/In ²	Part No.	Stock	PCN	Wt. (Lbs.)
1.2	208	40	322-874016-003	NS	114796	2
1.2	240	40	322-874016-001	NS	114761	2
1.2	480	40	322-874016-002	NS	114753	2

Stock Status: S = stock AS = assembly stock NS = non-stock
To Order—Specify Part Number, PCN, volts, kW and quantity.

Note — These elements are not to be used for direct immersion in liquids.