

RADD Double Element Radiant Heater (cont'd.)

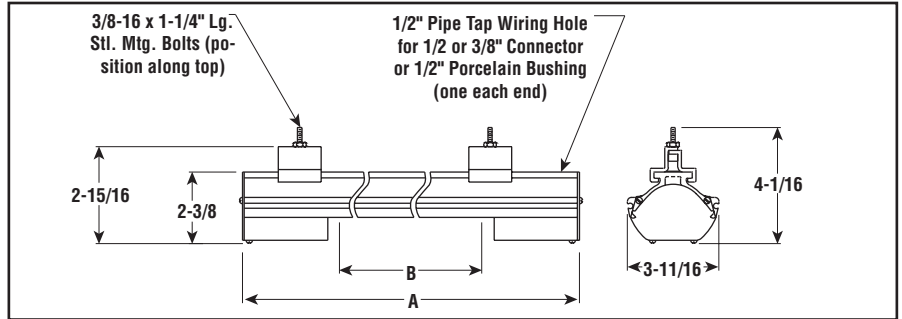


- 3.66 kW/Ft²
- 1.6 - 13 kW
- 120, 208, 240, 275 and 480 Volt
- 3/8" Dia. INCOLOY® Sheath Elements (Type RTU)
- 1500°F Max. Sheath Temp.

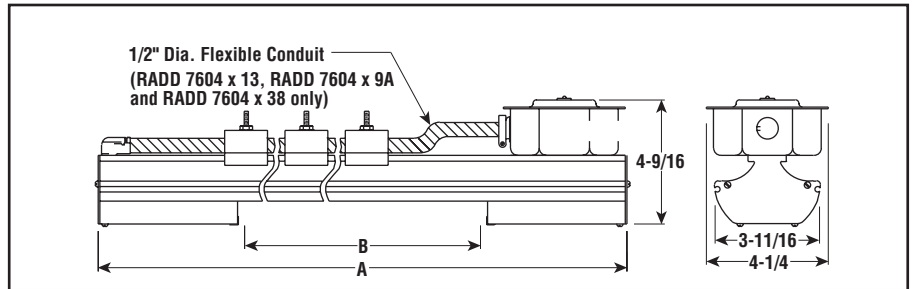
Applications

- Shrink Fitting
- Preheat Glass for Polishing, Drying, Sterilizing
- Fast-Moving Webs

Dimensions (Inches)



Dimensions (Inches)



Features

Complete, Ready-to-Connect Assembly available in various lengths to accommodate work of varying dimensions.

Movable Mounting Clamps and Bolts are supplied to accommodate many mounting configurations such as banks, tunnels and oven sections.

Process Temperature Control — Radiant heater output may be controlled with Chromalox SCR Controllers, Percentage Timing Input Controls and Non-Contact Temperature Sensors. See the Controls section of this catalog.

Additional Sizes and Ratings — Contact your Local Chromalox Sales office for price and availability.

Single Ended Wiring — Heaters may be furnished single-end wired with 18" leads as standard. Add the suffix SE to model number.

Construction

Enclosed Chromalox Alloy-Sheath Tubular Heating Element is completely isolated and supported on secondary insulation for improved electrical safety. Designed for long life, the element is more resistant to hard blows than quartz lamp or tube and open coil types.

Rigid Extruded Aluminum Housing protects heating element from harsh industrial environments.

Highly Polished Aluminum Reflectors give good reflectivity and heat transfer, and are easily cleaned to maintain energy efficiency.

Accessories

Protective Grille — Optional snap-in sections help protect personnel and work from contact with hot elements.

Companion Reflector — Optional radiant companion reflectors improve oven efficiency. See Radiant Accessories in this section.

Pipe Plug — Used to close tapped wiring entry holes. See Radiant Accessories in this section.

Note: Model RADD heaters are not listed for use in fixed electric space heated applications under NEC 424. If they are to be used in such applications, installation must be approved by local code enforcement authorities.

RADD

Two Element Radiant Heater (*cont'd.*)

Specifications and Ordering Information

| kW | Volts | Length (In.) | | Model | Stock | PCN | Optional Grille ³ | Replacement Elements ¹ | Wt. (Lbs.) |
|-----|----------------------|--------------|----------|------------------|----------|---------------|------------------------------|-----------------------------------|------------|
| | | Overall A | Heated B | | | | | | |
| 1.6 | 120 | 24-3/8 | 16-1/2 | RADD-2164 | NS | 110277 | (1) GR-2 | RTU-2083A | 7 |
| 1.6 | 208 | 24-3/8 | 16-1/2 | RADD-2164V | NS | 110285 | (1) GR-2 | RTU-2083AV | 7 |
| 1.6 | 240 | 24-3/8 | 16-1/2 | RADD-2164 | S | 110293 | (1) GR-2 | RTU-2083A | 7 |
| 1.6 | 275 | 24-3/8 | 16-1/2 | RADD-2164V | NS | 110306 | (1) GR-2 | RTU-2083AV | 7 |
| 2.2 | 120 | 30-5/8 | 22-3/4 | RADD-3224 | NS | 110314 | (1) GR-3 | RTU-3113A | 9 |
| 2.2 | 208 | 30-5/8 | 22-3/4 | RADD-3224V | NS | 110322 | (1) GR-3 | RTU-3113AV | 9 |
| 2.2 | 240 | 30-5/8 | 22-3/4 | RADD-3224 | S | 110330 | (1) GR-3 | RTU-3113A | 9 |
| 2.2 | 275 | 30-5/8 | 22-3/4 | RADD-3224V | NS | 110349 | (1) GR-3 | RTU-3113AV | 9 |
| 2.6 | 208 | 35-7/8 | 28-5/16 | RADD-3264V | NS | 115140 | (1) GR-3 | RTU-3133AV | 10 |
| 2.6 | 240 | 35-7/8 | 28-5/16 | RADD-3264 | NS | 115131 | (1) GR-3 | RTU-3133A | 10 |
| 2.6 | 275 | 35-7/8 | 28-5/16 | RADD-3264V | NS | 115158 | (1) GR-3 | RTU-3133AV | 10 |
| 2.6 | 480 | 35-7/8 | 28-5/16 | RADD-3264 | NS | 115166 | (1) GR-3 | RTU-3133A | 10 |
| 3.6 | 208 | 46-5/8 | 38-1/2 | RADD-4364V | NS | 110365 | (1) GR-4 | RTU-4183AV | 11 |
| 3.6 | 240 | 46-5/8 | 38-1/2 | RADD-4364 | NS | 110357 | (1) GR-4 | RTU-4183A | 11 |
| 3.6 | 275 | 46-5/8 | 38-1/2 | RADD-4364V | NS | 110381 | (1) GR-4 | RTU-4183AV | 11 |
| 3.6 | 480 | 46-5/8 | 38-1/2 | RADD-4364 | S | 110373 | (1) GR-4 | RTU-4183A | 11 |
| 4.3 | 208 | 53-7/8 | 45-7/16 | RADD-5434V | NS | 115174 | (1) GR-4 | RTU-5213AV | 13 |
| 4.3 | 240 | 53-7/8 | 45-7/16 | RADD-5434 | NS | 115182 | (1) GR-4 | RTU-5213A | 13 |
| 4.3 | 275 | 53-7/8 | 45-7/16 | RADD-5434V | NS | 115190 | (1) GR-4 | RTU-5213AV | 13 |
| 4.3 | 480 | 53-7/8 | 45-7/16 | RADD-5434 | NS | 115203 | (1) GR-4 | RTU-5213A | 13 |
| 5 | 208 | 61-3/8 | 53-3/8 | RADD-5504V | NS | 110402 | (1) GR-5 | RTU-5253AV | 14 |
| 5 | 240 | 61-3/8 | 53-3/8 | RADD-5504 | NS | 110390 | (1) GR-5 | RTU-5253A | 14 |
| 5 | 275 | 61-3/8 | 53-3/8 | RADD-5504V | NS | 110429 | (1) GR-5 | RTU-5253AV | 14 |
| 5 | 480 | 61-3/8 | 53-3/8 | RADD-5504 | S | 110410 | (1) GR-5 | RTU-5253A | 14 |
| 5.4 | 208 | 65-7/8 | 58-1/4 | RADD-6544V | NS | 115211 | (1) GR-5 | RTU-6273AV | 17 |
| 5.4 | 240 | 65-7/8 | 58-1/4 | RADD-6544 | NS | 115220 | (1) GR-5 | RTU-6273A | 17 |
| 5.4 | 275 | 65-7/8 | 58-1/4 | RADD-6544V | NS | 115238 | (1) GR-5 | RTU-6273AV | 17 |
| 5.4 | 480 | 65-7/8 | 58-1/4 | RADD-6544 | NS | 115246 | (1) GR-5 | RTU-6273A | 17 |
| 6 | 208 | 73-3/4 | 65-3/4 | RADD-6604V | NS | 110445 | (1) GR-6 | RTU-6303AV | 16 |
| 6 | 240 | 73-3/4 | 65-3/4 | RADD-6604 | NS | 110437 | (1) GR-6 | RTU-6303A | 16 |
| 6 | 275 | 73-3/4 | 65-3/4 | RADD-6604V | NS | 110461 | (1) GR-6 | RTU-6303AV | 16 |
| 6 | 480 | 73-3/4 | 65-3/4 | RADD-6604 | S | 110453 | (1) GR-6 | RTU-6303A | 16 |
| 6.7 | 208 | 79-7/8 | 72-1/4 | RADD-7674V | NS | 115254 | (1) GR-6 | RTU-7333AV | 21 |
| 6.7 | 240 | 79-7/8 | 72-1/4 | RADD-7674 | NS | 115262 | (1) GR-6 | RTU-7333A | 21 |
| 6.7 | 275 | 79-7/8 | 72-1/4 | RADD-7674V | NS | 115270 | (1) GR-6 | RTU-7333AV | 21 |
| 6.7 | 480 | 79-7/8 | 72-1/4 | RADD-7674 | NS | 115289 | (1) GR-6 | RTU-7333A | 21 |
| 7.2 | 208 | 85-3/4 | 78 | RADD-7724V | NS | 110488 | (2) GR-4 | RTU-7363AV | 18 |
| 7.2 | 240 | 85-3/4 | 78 | RADD-7724 | NS | 110470 | (2) GR-4 | RTU-7363A | 18 |
| 7.2 | 275 | 85-3/4 | 78 | RADD-7724V | NS | 110509 | (2) GR-4 | RTU-7363AV | 18 |
| 7.2 | 480 | 85-3/4 | 78 | RADD-7724 | S | 110496 | (2) GR-4 | RTU-7363A | 18 |
| 9 | 208 | 106 | 97-1/2 | RADD-8904V | NS | 115297 | (2) GR-4, (1) GR-2 | RTU-8453AV | 26 |
| 9 | 240 | 106 | 97-1/2 | RADD-8904 | NS | 115300 | (2) GR-4, (1) GR-2 | RTU-8453A | 26 |
| 9 | 275 | 106 | 97-1/2 | RADD-8904V | NS | 115318 | (2) GR-4, (1) GR-2 | RTU-8453AV | 26 |
| 9 | 480 | 106 | 97-1/2 | RADD-8904 | NS | 115326 | (2) GR-4, (1) GR-2 | RTU-8453A | 26 |
| 8 | 240/480 ² | 114-1/8 | 106 | RADD-7604X10 | NS | 110517 | (2) GR-5 | RTU-7303AX10 | 34 |
| 10 | 240/480 ² | 141 | 132 | RADD-7604X13 | NS | 110550 | (2) GR-6 | RTU-7303AX13 | 40 |
| 11 | 240/480 ² | 160-5/8 | 150 | RADD-7604X9A | NS | 110592 | (1) GR-4, (2) GR-5 | RTU-7303AX9A | 45 |
| 13 | 240/480 ² | 185-5/8 | 174 | RADD-7724X38 | NS | 110630 | (1) GR-4, (2) GR-6 | RTU-7363AX38 | 52 |

Stock Status: S = stock NS = non-stock

To Order—Specify model, PCN, kW, volts, quantity and interlocking connectors (if required).

1. Refer to Tubular Heaters section.

2. Shipped as 480V. Convert to 240V by changing jumpers. (See instructions included with heater.)

3. See Accessories in this section for ordering information.