

## QM & QM3 Side Mount Quartz Tube Heaters



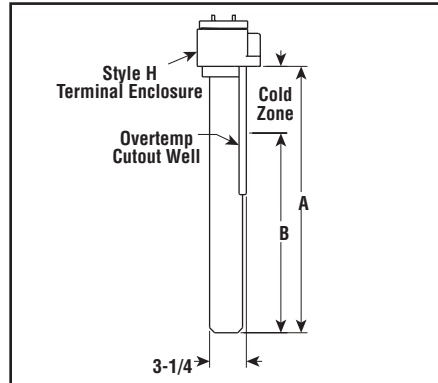
### QM – Single Unit

- INCOLOY® Sheath Elements Enclosed in Quartz Tube
- 25 W/In<sup>2</sup>
- 1 - 10 kW
- 120, 240 and 480 Volt, 1 or 3 Phase
- Moisture Resistant Terminal Enclosure

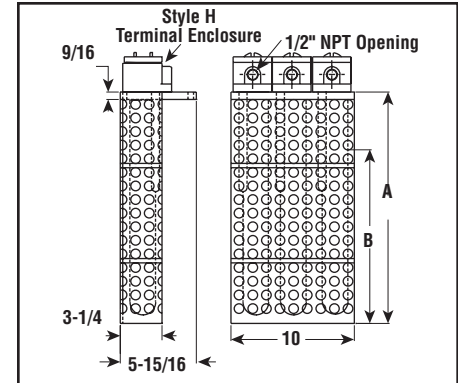
### QM3 – Triple Units

- INCOLOY® Sheath Elements Enclosed in Quartz Tube
- 25 W/In<sup>2</sup>
- 3 - 30 kW
- 120, 240 and 480 Volt, 1 or 3 Phase
- Moisture Resistant Terminal Enclosure

### QM – Dimensions (Inches)



### QM3 – Dimensions (Inches)



### Specifications and Ordering Information

kW	Volts	W/In <sup>2</sup>	Phase	DIM (In.)		Model	Stock	Element PCN	Quartz Tube PCN	Guard PCN	Wt. (Lbs.)
				A	B						
<b>QM – Single Unit</b> Order 1 Element + 1 Quartz Tube + 1 Guard											
1	120	25	1	11	7	QM-11	S	054973	056012	055132	10
1	240	25	1	11	7	QM-12	NS	054981			10
2	240	25	1	17	12	QM-22	NS	054990	056020	055140	11
2	480	25	1	17	12	QM-24	S	055001			11
3	240	25	1	23	18	QM-32	NS	055010	056039	055159	14
3	480	25	1	23	18	QM-34	NS	055028			14
4	240	25	1	35	28	QM-42	S	055036	056047	055167	20
4	480	25	1	35	28	QM-44	NS	055044			20
5	240	25	1	41	33	QM-52	NS	055052	056071	055175	23
5	480	25	1	41	33	QM-54	NS	055060			23
6	240	25	1	47	39	QM-62	NS	055079	056080	055183	26
6	480	25	1	47	39	QM-64	NS	055087			26
8	240	25	1	59	49	QM-82	NS	055095	056098	055191	31
8	480	25	1	59	49	QM-84	NS	055108			31
10	240	25	1	71	62	QM-102	NS	055116	056100	055204	34
10	480	25	1	71	62	QM-104	NS	055124			34
<b>QM3 – Three Units</b> Order 3 Elements + 3 Quartz Tubes + 1 Guard											
3	120	25	1	11	7	QM3-31	NS	054973	056012	055458	22
3	240	25	1	11	7	QM3-32	NS	054981			22
6	240	25	1	17	12	QM3-62	NS	054990	056029	055466	26
6	480	25	1	17	12	QM3-64	NS	055001			26
9	240	25	1	23	18	QM3-92	NS	055010	056039	055474	30
9	480	25	1	23	18	QM3-94	NS	055028			30
12	240	25	1	35	28	QM3-122	NS	055036	056047	055482	38
12	480	25	1	35	28	QM3-124	NS	055044			38
15	240	25	1	41	33	QM3-152	NS	055052	056071	055490	44
15	480	25	1	41	33	QM3-154	NS	055060			44
18	240	25	1	47	39	QM3-182	NS	055079	056080	055503	48
18	480	25	1	47	39	QM3-184	NS	055087			48
24	240	25	1	59	49	QM3-242	NS	055095	056098	055511	55
24	480	25	1	59	49	QM3-244	NS	055108			55
30	240	25	1	71	62	QM3-302	NS	055116	056100	055520	65
30	480	25	1	71	62	QM3-304	NS	055124			65

Stock Status: S = stock    NS = non-stock

To Order—Specify model, PCN, kW, volts, phase and quantity.

Notes —

- A. Individual single phase heaters can be field wired for three phase.
- B. Guard (not shown), required for tank mounting. Order separately by PCN.
- C. Elements, quartz tube and guard shipped separately.

### Features

- Moisture Resistant Terminal Enclosure
- Side Mounted Construction with Mounting Flange (Guard required for tank mounting)
- Single Use Overtemperature Protection Thermal Fuse Supplied as Standard, for Process Temperatures up to 180°F (82°C)/ Fuse Temperature 219°F (104°C) Limit. For Higher Process/Fuse Temperature Limits, Consult Factory. Field Replaceable
- Resettable Overtemperature Protection Thermal Fuses also Available
- Polypropylene Guard (order separately) (Only one guard required for all three heaters for QM3 only)
- 1 or 3 Phase field wired. Each heater supplied with conduit (QM3 only)
- Custom Heights and Other Configurations available