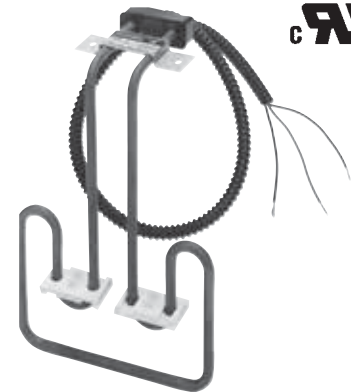


PTH & PTHT Side Mount Metal Sheath Heaters



- Passivated 316 Stainless Steel and Titanium Sheath Elements
- 1 - 9 kW
- 20 - 35 W/In²
- 120, 240 and 480 Volt, Single Phase
- Moisture Resistant Terminal Enclosure

Features

Heavy Duty, Non-Fragile and will not break due to thermal shock.

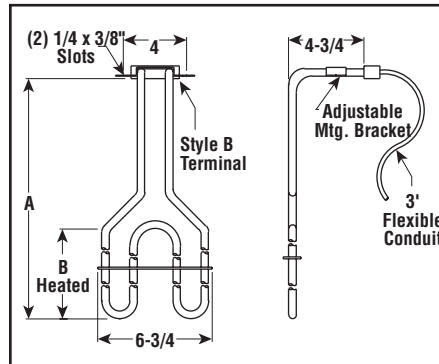
Flat Profile consumes little tank work area space, is easily removed for cleaning or for use in another tank.

Spacer Bar prevents element from touching the tank wall.

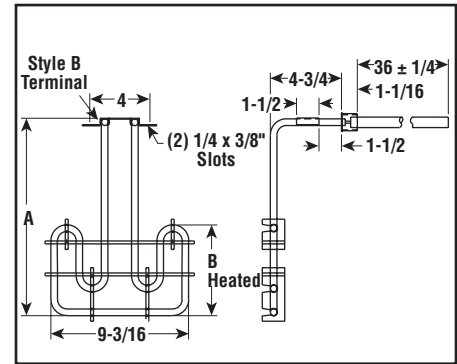
Long Life Construction — Compacted magnesium oxide construction with passivated type 316 stainless steel or Titanium sheath provides longer life than the large diameter probe type heaters.

Vapor-Tight Terminal Enclosure and 3-foot long flexible conduit containing two power leads and a ground wire.

PTH — Dimensions (Inches)



PTHT — Dimensions (Inches)



Specifications and Ordering Information

kW	Volts	W/In ²	Phase	Dimensions (In.)		Model	Stock	PCN	Wt. (Lbs.)	
				A	B					
PTH — Passivated 316 Stainless Steel										
1	120	21	1	14	8	PTH-101	S	326043	4	
1	240	21	1	14	8	PTH-102	S	326051	4	
2	240	31	1	21	11	PTH-202	S	326060	4	
2	480	31	1	21	11	PTH-204	S	326078	4	
3	240	32	1	26	16	PTH-302	S	326086	5	
3	480	32	1	26	16	PTH-304	S	326094	5	
4	240	34	1	30	20	PTH-402	S	326107	5	
4	480	34	1	30	20	PTH-404	S	326115	5	
6	240	34	1	40	30	PTH-602	S	326123	6	
6	480	34	1	40	30	PTH-604	S	326131	6	
9	240	34	1	54	44	PTH-902	NS	326140	8	
9	480	34	1	54	44	PTH-904	S	326158	8	
PTHT — Titanium										
1	120	20	1	13	6	PTHT-101	NS	098976	4	
1	240	20	1	13	6	PTHT-102	NS	098984	4	
2	240	30	1	21	12	PTHT-202	NS	098992	4	
2	480	30	1	21	12	PTHT-204	NS	099004	4	
3	240	30	1	26	17	PTHT-302	NS	099012	5	
3	480	30	1	26	17	PTHT-304	NS	099020	5	
4	240	35	1	31	22	PTHT-402	NS	099039	5	
4	480	35	1	31	22	PTHT-404	NS	099047	5	
6	240	35	1	42	33	PTHT-602	NS	099055	6	
6	480	35	1	42	33	PTHT-604	NS	099063	6	
8	240	35	1	53	44	PTHT-802	NS	099071	8	
8	480	35	1	53	44	PTHT-804	NS	099080	8	

Stock Status: S = stock NS = non-stock

To Order—Specify model, PCN, kW, volts, phase and quantity.

Notes —

- Liquid level should be above B dimension.
- Also available in other sheath materials and electrical ratings. Contact your Local Chromalox Sales office.
- If used in solutions that develop a scale on the sheath, periodic cleaning is required.