

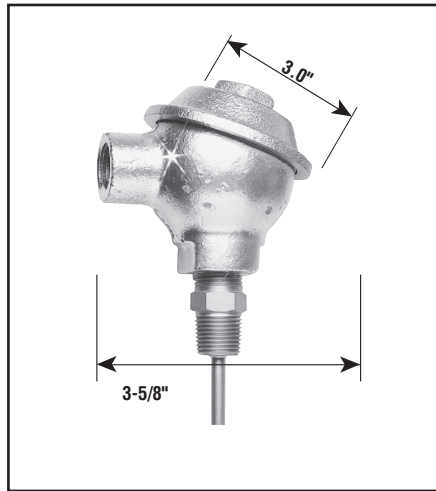
PR

RTD Probes with Connection Head

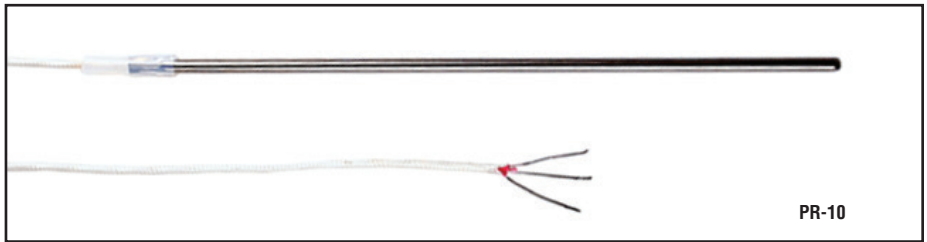
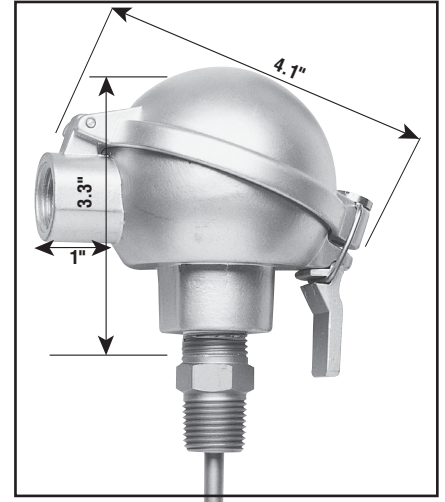
- Precision 100 Ohm Platinum RTD Element
- Rugged Design Offers Variety of Protection Heads with 1/2" NPT Mounting Threads
- 304 SS Sheath
- Spring Loaded Styles Available
- Available with PFA Teflon® Coating
- 6, 9, 12, 18 and 24" Lengths

- PR-12 — Cast Iron Protection Head with Internal Terminal Block
- PR-18 — Aluminum Head, Convenient Snap-Lock Design with Internal Terminal Block

PR-12— Cast Iron



PR-18 — Aluminum w/Snap-Lock



Stock PR-11s with Compatible Compression Fittings (SSLK)

Model	PCN	1/8 NPT Compression Fitting	PCN	1/4 NPT Compression Fitting	PCN
PR-10H-3-100-1/4-6	309251	SSLK-14-18-TEFLON/C	308750	SSLK-14-14-TEFLON/C	XXXXXX

* For details on SSLK Compression Fitting, see separate catalog sheet.

Stock PR-18 with Compatible Thermowells (260S, 260L)

Model	PCN	Thermowell Match	PCN	Thermowell Match	PCN
PR-18H-3-100-1/4-6	309260	3/4-260S-U4 1/2-304SS/C 3/4-260S-U4 1/2-316SS/C	308662 308697	1/2-260S-U4 1/2-304SS/C 1/2-260S-U4 1/2-316SS/C	NS NS
PR-18H-3-100-1/4-12	309278	3/4-260S-U10 1/2-304SS/C 3/4-260S-U10 1/2-316SS/C	308670 308700	1/2-260S-U10 1/2-304SS/C 1/2-260S-U10 1/2-316SS/C	327361 327370

*HNSL designates Spring Loaded probe

PR

RTD Probes with Connection Head

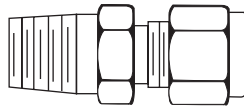
(cont'd.)

Ordering Information

CODE	DESCRIPTION
PR-10	Stainless Steel Transition with 40" of Leadwires
PR-12	Cast Iron Connection Head with Screw Top
PR-18	Aluminum Connection Head with Snap Lock
CODE	Temperature Range
L	Low temp -50 to 250°C (-58 to 482°F)
H	Medium temp -50 to 450°C (-58 to 842°F)
E	Extreme temp -200 to 600°F (-328 to 1112)
CODE	RTD Type
3-100	3-Wire 100 ohm Platinum RTD.
CODE	O.D. Sheath Dimensions
116	1/16 Inch
18	1/8 Inch
316	3/16 Inch
14	1/4 Inch
CODE	Probe Length
6	Inches
9	Inches
12	Inches
18	Inches
24	Inches
** Custom Length - Specify (Min. 2")	
PR-18	-L- 3-100 18 6 Typical Model Number

Compression Fittings

- Ferrule Design for Positive Pressure Seal
- Fits Probe Diameters from 1/16" to 1/2"
- Heavy Duty Brass or Stainless Steel Construction



In Stock:

Model	PCN
SSLK-18-18-TEFLON/C	308718
SSLK-18-14-TEFLON/C	308726
SSLK-316-18-TEFLON/C	308734
SSLK-316-14-TEFLON/C	308742
SSLK-14-18-TEFLON/C	308750
SSLK-14-14-TEFLON/C	308769
SSLK-18-18/C	277405

Ordering Information — Compression Fittings ¹

Probe OD	NPT Thread	316SS
1/16"	1/16"	SSLK-116-116/C
1/16"	1/8"	SSLK-116-18/C
1/8"	1/8"	SSLK-18-18/C
1/8"	1/4"	SSLK-18-14/C
3/16"	1/8"	SSLK-316-18/C
3/16"	1/4"	SSLK-316-14/C
1/4"	1/8"	SSLK-14-18/C
1/4"	1/4"	SSLK-14-14/C
5/16"	1/4"	SSLK-516-14/C
3/8"	1/4"	SSLK-38-14/C
3/8"	3/8"	SSLK-38-38/C
3/8"	1/2"	SSLK-38-12/C
1/2"	1/2"	SSLK-12-12/C

1. Fittings have metal ferrules and are non-readjustable. Adjustable Teflon models are available and in stock.