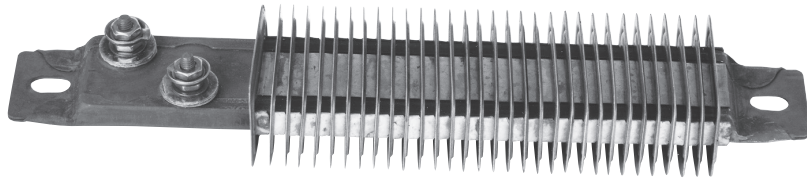
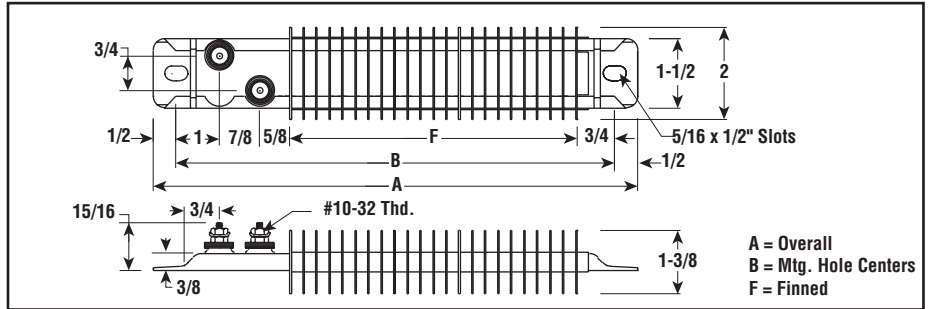


OTF Finstrip® Air Heater

- Rust-Resisting Iron or Chrome Steel Sheath
- 250 - 4,150 Watts
- 120 and 240 Volt
- Single Phase
- 225 - 565°F Max. Work Temp.
- 1-1/2" Strip with Fins 2" Wide



Dimensions (Inches)



Applications

- Mount across Air Stream within Forced Air Ducts
- Use in Dryers, Ovens and other Process Air Heating Equipment
- Comfort Heating in Ducts, Load Banks and Humidity Controls
- Many Air Blast and Convection requirements can be accommodated by the wide range of lengths, wattages and watt densities available.

Application & Selection Guidelines

Maximum Work Temperatures — Finstrip® elements can generally be used in the applications above, at maximum temperatures, without exceeding their capability, if properly installed according to instructions packed with heater.

Air Velocity (Ft./Sec.)	Max. Outlet Air Temp. (°F)	
	Iron Sheath	Chrome Steel Sheath
Free Air	225	315
16	460	565

Note — Maximum temperatures are based on 15 W/In² density for iron sheath and 20 W/In² density for chrome steel sheath. If elements have a lower watt density, work temperature may be increased; if watt density is higher, work temperature should be lower.

See Allowable Watt Density & Finstrip® Heater Selection Graphs G-107S and G-108S in the Technical section of this catalog.

Specifications and Ordering Information

Watts	W/In ²	Volts	Dimensions (In.)			Model	Stock	PCN	Wt. (Lbs.)
			A	B	F				
Rust-Resisting Iron Sheath — for Max. Sheath Temp. to 750°F									
250	11	120	10-1/2	9-1/2	6-1/4	OTF-10	S	128004	2
350	15	120	10-1/2	9-1/2	6-1/4	OTF-10	S	128012	2
600	26	120	10-1/2	9-1/2	6-1/4	OTF-10	S	128020	2
250	11	240	10-1/2	9-1/2	6-1/4	OTF-10	S	128039	2
350	15	240	10-1/2	9-1/2	6-1/4	OTF-10	S	128047	2
600	26	240	10-1/2	9-1/2	6-1/4	OTF-10	S	128055	2
500	18	120	12	11	7-3/4	OTF-12	S	128063	2
750	27	120	12	11	7-3/4	OTF-12	S	128071	2
250	9	240	12	11	7-3/4	OTF-12	S	128080	2
500	18	240	12	11	7-3/4	OTF-12	S	128098	2
750	27	240	12	11	7-3/4	OTF-12	S	128100	2
900	24	120	14	13	9-3/4	OTF-14	S	128119	2
500	13	240	14	13	9-3/4	OTF-14	NS	128127	2
900	24	240	14	13	9-3/4	OTF-14	S	128135	2
325	8	120	15-1/4	14-1/4	11	OTF-15	S	128143	3
1,000	25	120	15-1/4	14-1/4	11	OTF-15	S	128151	3
1,000	25	240	15-1/4	14-1/4	11	OTF-15	S	128160	3
500	10	120	17-7/8	16-7/8	13-5/8	OTF-18	S	128178	3
1,000	20	120	17-7/8	16-7/8	13-5/8	OTF-18	S	128186	3
1,300	26	120	17-7/8	16-7/8	13-5/8	OTF-18	NS	128194	3
500	10	240	17-7/8	16-7/8	13-5/8	OTF-18	S	128207	3
1,000	20	240	17-7/8	16-7/8	13-5/8	OTF-18	S	128215	3
1,300	26	240	17-7/8	16-7/8	13-5/8	OTF-18	S	128223	3
1,000	17	240	19-1/2	18-1/2	15-1/4	OTF-19	S	128240	3
1,500	26	120	19-1/2	18-1/2	15-1/4	OTF-19	S	128231	3
1,500	26	240	19-1/2	18-1/2	15-1/4	OTF-19	S	128258	3
1,000	16	240	21	20	16-3/4	OTF-21	NS	128266	3
1,550	26	240	21	20	16-3/4	OTF-21	NS	128274	3
750	10	240	23-3/4	22-3/4	19-1/2	OTF-24	S	128282	4
1,000	14	240	23-3/4	22-3/4	19-1/2	OTF-24	NS	128290	4
1,800	25	240	23-3/4	22-3/4	19-1/2	OTF-24	S	128303	4
1,250	16	240	25-1/2	24-1/2	21-1/4	OTF-25	NS	128602	4
2,000	26	240	25-1/2	24-1/2	21-1/4	OTF-25	S	128610	4
700	8	120	26-3/4	25-3/4	22-1/2	OTF-26	NS	128629	4
700	8	240	26-3/4	25-3/4	22-1/2	OTF-26	NS	128637	4
1,350	16	240	26-3/4	25-3/4	22-1/2	OTF-26	S	128645	4
2,000	24	240	26-3/4	25-3/4	22-1/2	OTF-26	NS	128653	4
1,500	16	240	30-1/2	29-3/8	25-1/4	OTF-30	S	128952	4
2,350	25	240	30-1/2	29-3/8	25-1/4	OTF-30	S	128670	4
1,000	9	240	35-7/8	34-7/8	30-5/8	OTF-36	S	128688	5
1,800	16	240	35-7/8	34-7/8	30-5/8	OTF-36	NS	128696	5
2,850	26	240	35-7/8	34-7/8	30-5/8	OTF-36	NS	128709	5
2,000	16	240	38-1/2	37-5/8	33-1/4	OTF-38	S	128960	5
3,100	25	120	38-1/2	37-5/8	33-1/4	OTF-38	NS	128717	5
3,100	25	240	38-1/2	37-5/8	33-1/4	OTF-38	S	128725	5
3,450	26	240	42-1/2	41-3/8	37-1/4	OTF-43	S	128733	6

FINSTRIP®

OTF Finstrip® Air Heater (cont'd.)

Features

Durability is assured by rugged Chromalox strip heater with locked-on aluminized steel fins.

Rapid Heat Transfer to air from large finned area.

Large Selection of lengths, wattages and watt densities.

Options

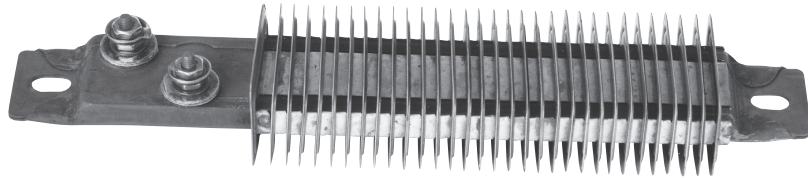
Secondary Insulation Bushings are needed at each end of Finstrip® elements when connected in series on line voltages 300V and above. To accommodate bushings, a 17/32 x 11/16" mounting hole in tabs should be specified for elements. A secondary bushing set (PCN 255716) should be specified. Each set includes two bushings and hardware for one heater.

Removable Terminal Covers (OT-AC-1) — Shipped unassembled (PCN 129242).

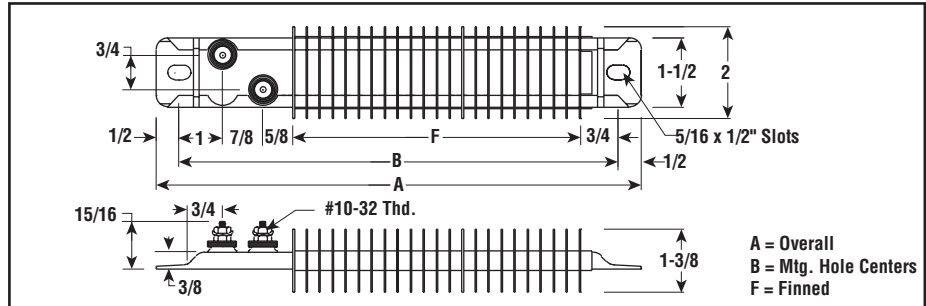
Ceramic Post Terminal Insulators — Nickel plated steel hardware (PCN 259805). Stainless Steel hardware (PCN 255732).

Extra Long Finstrips — Available in 48, 54, 64 or 72" length.

MONEL® Sheath and Fins — Contact your Local Chromalox Sales office for price and availability.



Dimensions (Inches)



Specifications and Ordering Information

Watts	W/in ²	Volts	Dimensions (In.)			Model	Stock	PCN	Wt. (Lbs.)
			A	B	F				
Chrome Steel Sheath — for Max. Sheath Temp. to 950°F									
475	21	120	10-1/2	9-1/2	6-1/4	OTF-100	S	128311	2
725	32	120	10-1/2	9-1/2	6-1/4	OTF-100	S	128320	2
475	21	240	10-1/2	9-1/2	6-1/4	OTF-100	NS	128346	2
350	15	240	10-1/2	9-1/2	6-1/4	OTF-100	NS	128338	2
725	32	240	10-1/2	9-1/2	6-1/4	OTF-100	S	128354	2
700	25	120	12	11	7-3/4	OTF-120	NS	128362	2
900	32	120	12	11	7-3/4	OTF-120	S	128370	2
700	25	240	12	11	7-3/4	OTF-120	S	128389	2
900	32	240	12	11	7-3/4	OTF-120	S	128397	2
750	21	120	14	13	9-3/4	OTF-140	S	128400	2
1,100	31	120	14	13	9-3/4	OTF-140	S	128418	2
750	21	240	14	13	9-3/4	OTF-140	NS	128426	2
1,100	31	240	14	13	9-3/4	OTF-140	S	128433	2
850	20	240	15-1/4	14-1/4	11	OTF-150	S	128442	3
1,250	30	240	15-1/4	14-1/4	11	OTF-150	S	128450	3
750	15	240	17-7/8	16-7/8	13-5/8	OTF-180	S	128469	3
1,000	20	240	17-7/8	16-7/8	13-5/8	OTF-180	S	128477	3
1,550	31	240	17-7/8	16-7/8	13-5/8	OTF-180	S	128485	3
1,000	18	208	19-1/2	18-1/2	15-1/4	OTF-190	NS	128493	3
1,000	18	240	19-1/2	18-1/2	15-1/4	OTF-190	NS	128506	3
1,250	23	240	19-1/2	18-1/2	15-1/4	OTF-190	S	128514	3
1,700	31	240	19-1/2	18-1/2	15-1/4	OTF-190	S	128522	3
1,250	20	240	21	20	16-3/4	OTF-210	NS	128549	3
750	12	240	21	20	16-3/4	OTF-210	NS	128530	3
1,900	30	240	21	20	16-3/4	OTF-210	S	128557	3
2,200	31	240	23-3/4	22-3/4	19-1/2	OTF-240	S	128581	4
1,000	14	240	23-3/4	22-3/4	19-1/2	OTF-240	S	128565	4
1,450	20	240	23-3/4	22-3/4	19-1/2	OTF-240	NS	128573	4
1,500	19	240	25-1/2	24-1/2	21-1/4	OTF-250	NS	128750	4
2,400	30	240	25-1/2	24-1/2	21-1/4	OTF-250	S	128768	4
1,600	19	240	26-3/4	25-3/4	22-1/2	OTF-260	S	128776	4
2,500	30	240	26-3/4	25-3/4	22-1/2	OTF-260	S	128784	4
1,800	19	240	30-1/2	29-3/8	25-1/4	OTF-300	S	128792	4
2,800	30	240	30-1/2	29-3/8	25-1/4	OTF-300	S	128805	4
2,100	20	240	33-1/2	32-3/8	28-1/4	OTF-330	NS	128944	5
3,150	30	120	33-1/2	32-3/8	28-1/4	OTF-330	NS	128813	5
3,150	30	240	33-1/2	32-3/8	28-1/4	OTF-330	S	128821	5
1,500	13	240	35-7/8	34-7/8	30-5/8	OTF-360	NS	128830	5
2,300	20	240	35-7/8	34-7/8	30-5/8	OTF-360	NS	128848	5
3,450	30	240	35-7/8	34-7/8	30-5/8	OTF-360	S	128856	5
2,450	20	240	38-1/2	37-3/8	33-1/4	OTF-380	S	128864	5
3,600	30	240	38-1/2	37-3/8	33-1/4	OTF-380	NS	128872	5
4,150	30	240	42-1/2	41-3/8	37-1/4	OTF-430	S	128880	6
2,250	15	240	48	47	42-3/4	OTF-480	S	128979	8

Stock Status: S = stock NS = non-stock
To Order—Specify model, PCN, watts, volts and quantity.