

NWHJR Booster Heater-Water Applications

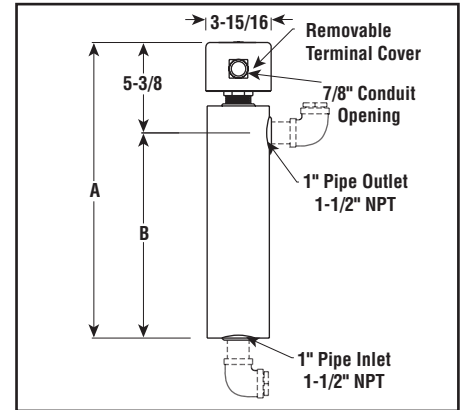
- Heavy Wall Galvanized Steel
- 1.5 - 3 kW
- 120 and 240V, Single Phase
- 0.315" Dia. Copper Sheath Elements (80 W/In²)
- General Purpose or Moisture Resistant Terminal Enclosure
- Integral Thermostat (60 - 180°F)

Applications

Type NWHJR (Junior) can be used to supply hot water or boost water temperature anywhere in a water distribution system.



Dimensions (Inches)



Features

Terminal Enclosure — E1 General Purpose is standard. E4 Moisture Resistant available.

Elements — Seamless 0.315" diameter copper sheath heating element brazed to a 1" brass screw plug.

Vessel — Standard with galvanized steel.

Thermostat — Integral thermostat with 60 to 180°F temperature range located inside the terminal enclosure.

Mounting — Easy to install; minimal size and weight, no supporting brackets are required.

Third Party — UL Listed - CSA Certification available (except NWHJRG-01-003P-E1 120V).

CLEAN WATER

Specifications and Ordering Information

kW	Volts	Ckt & Phase	DIM (In.)		Model	Stock	PCN	Wt. (Lbs.)
			A	B				
150 lb carbon steel pipe body — 1 copper element (80 W/In²)								
1.5	120	1-1	18	12-3/8	NWHJRG-01-01P5-E1	S	197720	14
1.5	240	1-1	18	12-3/8	NWHJRG-01-01P5-E1	S	197739	14
2	120	1-1	18	12-3/8	NWHJRG-01-002P-E1	S	197747	14
2	240	1-1	18	12-3/8	NWHJRG-01-002P-E1	S	197755	14
2.5	120	1-1	22	16-3/8	NWHJRG-01-02P5-E1	S	197763	16
2.5	240	1-1	22	16-3/8	NWHJRG-01-02P5-E1	S	197771	16
3	120	1-1	22	16-3/8	NWHJRG-01-003P-E1	S	106825	16
3	240	1-1	22	16-3/8	NWHJRG-01-003P-E1	S	197780	16

Stock Status: S = stock NS = non-stock
To Order—Specify model, volts, phase, kW, PCN and quantity.

"Under the U.S. Federal Safe Drinking Water Act, it is unlawful to install or use this product in any service that comes into contact with water for human consumption (including drinking, food or beverage preparation, hand washing, or teeth brushing). This product is intended exclusively for use in non-potable service."

Ordering Information

To Order — Complete the Model Number using the Matrix provided.

Model	Water Booster Heater			
NWHJRG	Water Circulation Heater Galvanized Tank			
	Code	Number of Elements		
JRG	01	One		
		Code	kW	
	01P5	1.5	02P5	2.5
	002P	2	003P	3
		Code	Terminal Enclosure	
		E1	General Purpose	
		E4	Moisture Resistant	
NWHJRG	01	003P	E1	Typical Model Number