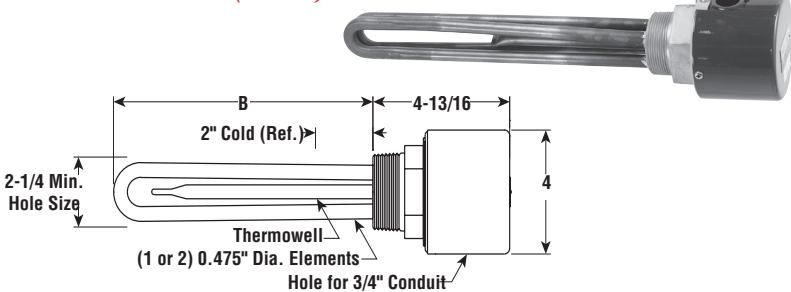


# Immersion

## MTS-2 Process Water Applications

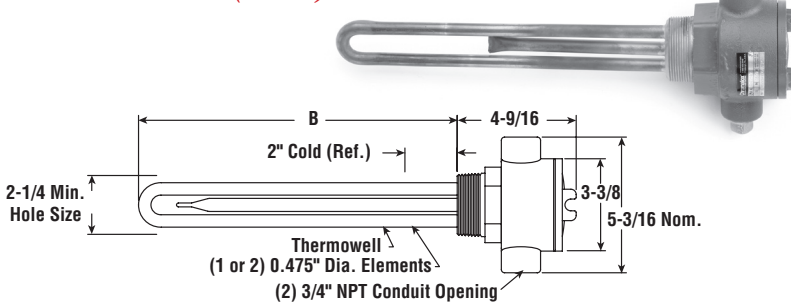
- 2" NPT Stainless Steel Passivated Screw Plug
- Stainless Steel Passivated Sheath Elements
- High Watt Density (43 - 51 W/in<sup>2</sup>)
- 1.5 - 15 kW
- Without Thermostat
- 120, 208, 240 and 480 Volt, Single Phase
- General Purpose, Moisture Resistant/Explosion Resistant Terminal Enclosure or Moisture Resistant

E1 — Dimensions (Inches)

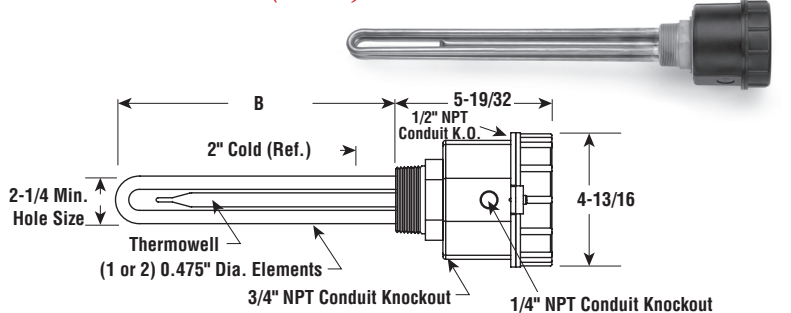


SCREW PLUG

E2 — Dimensions (Inches)



E4TP — Dimensions (Inches)



Same-day shipping on stock item orders received before 4 pm CST.  
3-day shipping on assembly-stock items.

### Specifications and Ordering Information

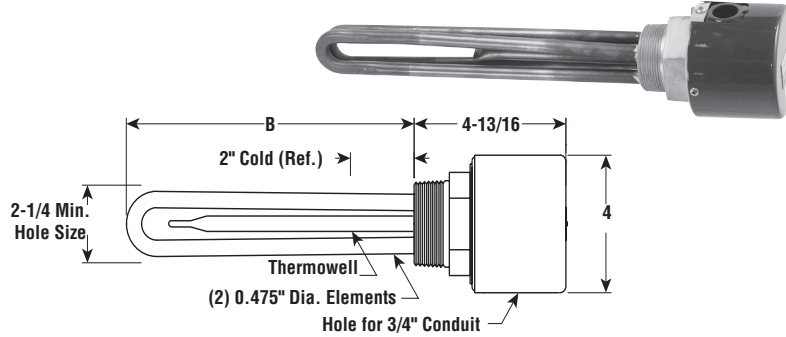
						E1 General Purpose <sup>1</sup>				E2 Moisture Resistant/Explosion Resistant <sup>2</sup>				E4 Moisture Resistant			
kW	Volts	Phase	W/in <sup>2</sup>	No. Elem.	DIM B (In.)	Model	Stock	PCN	Wt. (Lbs.)	Model	Stock	PCN	Wt. (Lbs.)	Model	Stock	PCN	Wt. (Lbs.)
1.5	120	1	48	1	11-7/16	MTS-215A	NS	139942	3	MTS-215E2	NS	289502	6	MTS-215E4TP	NS	063378	3
1.5	208	1	48	1	11-7/16	MTS-215A	NS	186503	3	MTS-215E2	NS	186511	6	MTS-215E4TP	NS	063407	3
1.5	240	1	48	1	11-7/16	MTS-215A	NS	139950	3	MTS-215E2	NS	289510	6	MTS-215E4TP	NS	063386	3
1.5	480	1	48	1	11-7/16	MTS-215A	NS	139969	3	MTS-215E2	NS	186520	6	MTS-215E4TP	NS	063394	3
2	120	1	48	1	17-1/2	MTS-220A	NS	139977	4	MTS-220E2	NS	186538	7	MTS-220E4TP	NS	063423	4
2	208	1	48	1	17-1/2	MTS-220A	NS	186546	4	MTS-220E2	NS	186554	7	MTS-220E4TP	NS	063415	4
2	240	1	48	1	17-1/2	MTS-220A	NS	139985	4	MTS-220E2	NS	289529	7	MTS-220E4TP	NS	063431	4
2	480	1	48	1	17-1/2	MTS-220A	NS	139993	4	MTS-220E2	NS	186562	7	MTS-220E4TP	NS	063440	4
2	120	1	51	2	7-1/2	MTS-220-3A	NS	190019	4	MTS-220-3E2	NS	289537	7	MTS-220-3E4TP	NS	063458	4
2	208	1	51	2	7-1/2	MTS-220-3A	NS	186570	4	MTS-220-3E2	NS	186589	7	MTS-220-3E4TP	NS	063482	4
2	240	1	51	2	7-1/2	MTS-220-3A	NS	190027	4	MTS-220-3E2	NS	289545	7	MTS-220-3E4TP	NS	063466	4
2	480	1	51	2	7-1/2	MTS-220-3A	NS	190035	4	MTS-220-3E2	NS	289553	7	MTS-220-3E4TP	NS	063474	4
2.5	120	1	47	2	9	MTS-225A	NS	190043	4	MTS-225E2	NS	186597	7	MTS-225E4TP	NS	063490	4
2.5	240	1	47	2	9	<b>MTS-225A</b>	<b>S</b>	<b>190051</b>	4	MTS-225E2	NS	289561	7	MTS-225E4TP	NS	063503	4
2.5	480	1	47	2	9	MTS-225A	NS	190060	4	MTS-225E2	NS	289570	7	MTS-225E4TP	NS	063511	4
3	120	1	43	2	11-1/2	MTS-230A	NS	190078	5	MTS-230E2	NS	186600	8	MTS-230E4TP	NS	063538	5
3	208	1	43	2	11-1/2	MTS-230A	NS	186618	5	MTS-230E2	NS	186626	8	MTS-230E4TP	NS	063520	5
3	240	1	43	2	11-1/2	<b>MTS-230A</b>	<b>S</b>	<b>190086</b>	5	MTS-230E2	NS	289588	8	MTS-230E4TP	NS	063546	5
3	480	1	43	2	11-1/2	<b>MTS-230A</b>	<b>S</b>	<b>190094</b>	5	MTS-230E2	NS	289596	8	MTS-230E4TP	NS	063554	5
4	120	1	44	2	17-1/2	MTS-240A	NS	190107	5	MTS-240E2	NS	186634	8	MTS-240E4TP	NS	063570	5
4	208	1	44	2	17-1/2	MTS-240A	NS	186642	5	MTS-240E2	NS	186650	8	MTS-240E4TP	NS	063562	5
4	240	1	44	2	17-1/2	<b>MTS-240A</b>	<b>S</b>	<b>190115</b>	5	MTS-240E2	NS	289609	8	MTS-240E4TP	NS	063589	5
4	480	1	44	2	17-1/2	<b>MTS-240A</b>	<b>S</b>	<b>190123</b>	5	MTS-240E2	NS	289617	8	MTS-240E4TP	NS	063597	5
5	120	1	45	2	19	MTS-250A	NS	190131	5	MTS-250E2	NS	186669	8	MTS-250E4TP	NS	063618	5
5	208	1	45	2	19	MTS-250A	NS	186677	5	MTS-250E2	NS	186685	8	MTS-250E4TP	NS	063600	5
5	240	1	45	2	19	<b>MTS-250A</b>	<b>S</b>	<b>190140</b>	5	MTS-250E2	NS	289625	8	MTS-250E4TP	NS	063626	5
5	480	1	45	2	19	MTS-250A	NS	190158	5	MTS-250E2	NS	289633	8	MTS-250E4TP	NS	063634	5

## MTS-2

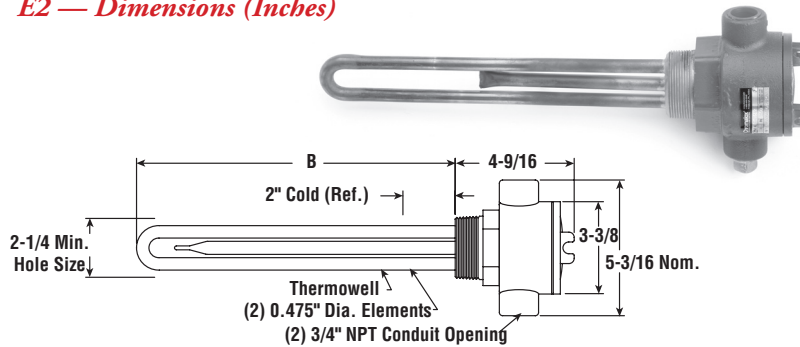
### Process Water Applications (cont'd.)

- 2" NPT Stainless Steel Passivated Screw Plug
- Stainless Steel Passivated Sheath Elements
- High Watt Density (43 - 51 W/in<sup>2</sup>)
- 1.5 - 15 kW
- Without Thermostat
- 208, 240 and 480 Volt, Single Phase
- General Purpose or Moisture Resistant/Explosion Resistant Terminal Enclosure or Moisture Resistant

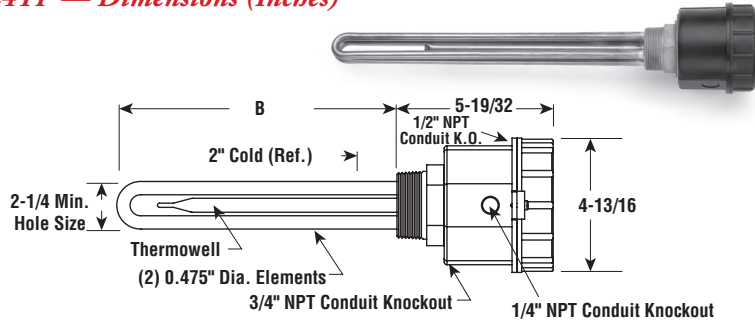
E1 — Dimensions (Inches)



E2 — Dimensions (Inches)



E4TP — Dimensions (Inches)



### Specifications and Ordering Information

						E1 General Purpose <sup>1</sup>				E2 Moisture Resistant/Explosion Resistant <sup>2</sup>				E4 Moisture Resistant			
kW	Volts	Phase	W/in <sup>2</sup>	No. Elem.	DIM B (In.)	Model	Stock	PCN	Wt. (Lbs.)	Model	Stock	PCN	Wt. (Lbs.)	Model	Stock	PCN	Wt. (Lbs.)
6	208	1	46	2	24-1/2	MTS-260A	NS	186693	5	MTS-260E2	NS	186706	8	MTS-260E4TP	NS	063642	5
6	240	1	46	2	24-1/2	MTS-260A	S	190166	5	MTS-260E2	NS	289641	8	MTS-260E4TP	NS	063650	5
6	480	1	46	2	24-1/2	MTS-260A	S	190174	5	MTS-260E2	NS	289650	8	MTS-260E4TP	NS	063669	5
7	240	1	46	2	27-1/2	MTS-270A	S	190182	6	MTS-270E2	NS	289676	9	MTS-270E4TP	NS	063677	6
7	480	1	46	2	27-1/2	MTS-270A	NS	190190	6	MTS-270E2	NS	289684	9	MTS-270E4TP	NS	063685	6
10	208	1	46	2	40	MTS-2100A	NS	186714	8	MTS-2100E2	NS	186722	11	MTS-2100E4TP	NS	063298	8
10	240	1	46	2	40	MTS-2100A	NS	190203	8	MTS-2100E2	NS	289692	11	MTS-2100E4TP	NS	063300	8
10	480	1	46	2	40	MTS-2100A	NS	190211	8	MTS-2100E2	NS	289705	11	MTS-2100E4TP	NS	063319	8
12	208	1	46	2	48	MTS-2120A*	NS	186730	8	MTS-2120E2*	NS	186749	11	MTS-2120E4TP*	NS	063327	8
12	240	1	46	2	48	MTS-2120A*	NS	190220	8	MTS-2120E2*	NS	289713	11	MTS-2120E4TP*	NS	063335	8
12	480	1	46	2	48	MTS-2120A	NS	190238	8	MTS-2120E2	NS	289721	11	MTS-2120E4TP	NS	063343	8
15	240	1	50	2	54	MTS-2150A*	NS	190246	8	MTS-2150E2*	NS	289730	11	MTS-2150E4TP*	NS	063351	8
15	480	1	50	2	54	MTS-2150A	NS	190254	8	MTS-2150E2	NS	289748	11	MTS-2150E4TP	NS	063360	8

Stock Status: S = stock NS = non-stock  
To Order—Specify model, volts, phase, kW, PCN and quantity.

1. Heaters with General Purpose Enclosures are UL Listed and CSA Certified except Models with \*(Exceeds 48 Amps).
2. Heaters with Moisture Resistant/Explosion Resistant Enclosures are CSA<sub>US</sub> Certified except Models with \*(Exceeds 48 Amps).

**FASTSHIP**

Same-day shipping on stock item orders received before 4 pm CST.  
3-day shipping on assembly-stock items.