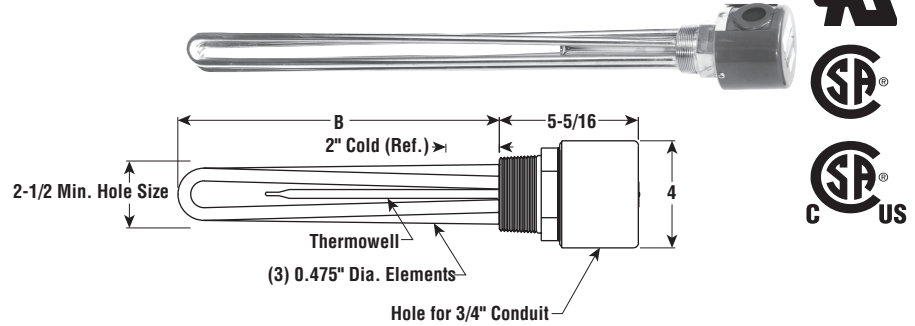


Immersion

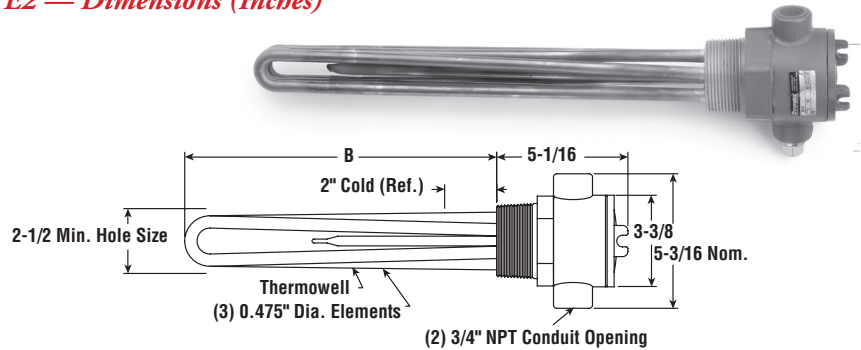
MTO-3 Medium Weight Oil Applications

- 2-1/2" NPT Steel Screw Plug
- Steel Sheath Elements
- 15 W/in²
- 3 - 9 kW
- Without Thermostat
- 240 and 480 Volt, Three Phase
- General Purpose, Moisture Resistant/Explosion Resistant Terminal Enclosure or Moisture Resistant

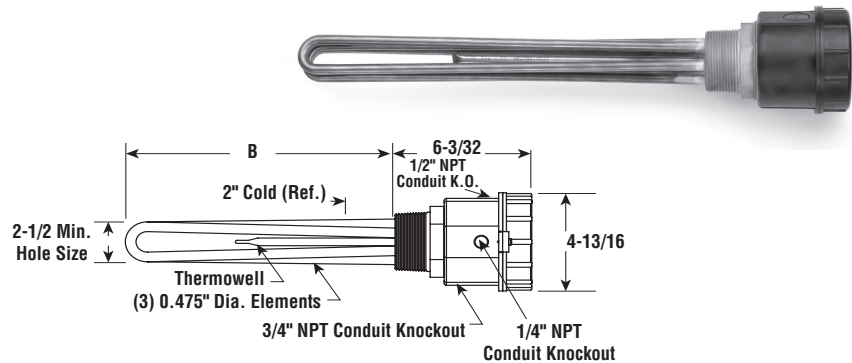
E1 — Dimensions (Inches)



E2 — Dimensions (Inches)



E4TP — Dimensions (Inches)



Specifications and Ordering Information

						E1 General Purpose ¹				E2 Moisture Resistant/ Explosion Resistant ²				E4 Moisture Resistant			
kW	Volts	Phase	W/in ²	No. Elem.	DIM B (In.)	Model	Stock	PCN	Wt. (Lbs.)	Model	Stock	PCN	Wt. (Lbs.)	Model	Stock	PCN	Wt. (Lbs.)
3	240	3	15	3	24-3/8	MTO-303	NS	324021	6	MTO-303E2	NS	324030	9	MTO-303E4TP	NS	064426	12
3	480	3	15	3	24-3/8	MTO-303	NS	324048	6	MTO-303E2	NS	324056	9	MTO-303E4TP	NS	064434	12
4	240	3	15	3	32-1/4	MTO-304	NS	324064	9	MTO-304E2	NS	324072	12	MTO-304E4TP	NS	064442	15
4	480	3	15	3	32-1/4	MTO-304	NS	324080	9	MTO-304E2	NS	324099	12	MTO-304E4TP	NS	064450	15
5	240	3	15	3	39-3/4	MTO-305	NS	324101	10	MTO-305E2	NS	324110	13	MTO-305E4TP	NS	064469	16
6	240	3	15	3	47-1/4	MTO-306	NS	324128	11	MTO-306E2	NS	324136	14	MTO-306E4TP	NS	064477	17
6	480	3	15	3	47-1/4	MTO-306	NS	324144	11	MTO-306E2	NS	324152	14	MTO-306E4TP	NS	064485	17
7.5	240	3	15	3	57	MTO-307	NS	324160	14	MTO-307E2	NS	324179	17	MTO-307E4TP	NS	064493	20
9	240	3	15	3	67-1/4	MTO-309	NS	324187	15	MTO-309E2	NS	324195	18	MTO-309E4TP	NS	064506	21

Stock Status: S = stock NS = non-stock
To Order—Specify model, volts, phase, kW, PCN and quantity.

1. Heaters with General Purpose Enclosures are UL Recognized and CSA Certified.
2. Heaters with Moisture Resistant/Explosion Resistant Enclosures are ^CCSA_{US}® Certified.

FASTShip

Same-day shipping on stock item orders received before 4 pm CST.
 3-day shipping on assembly-stock items.