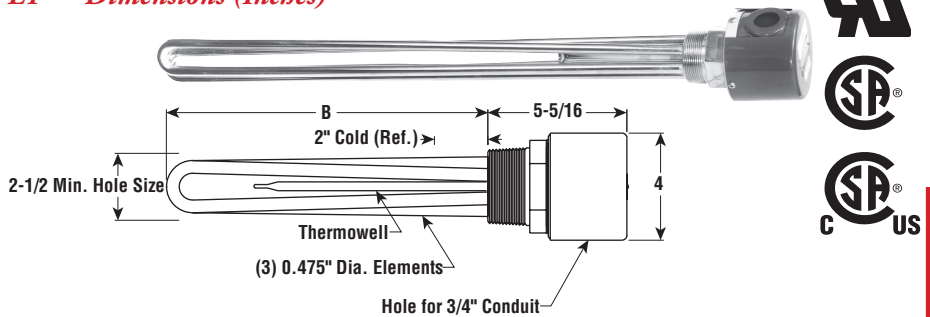


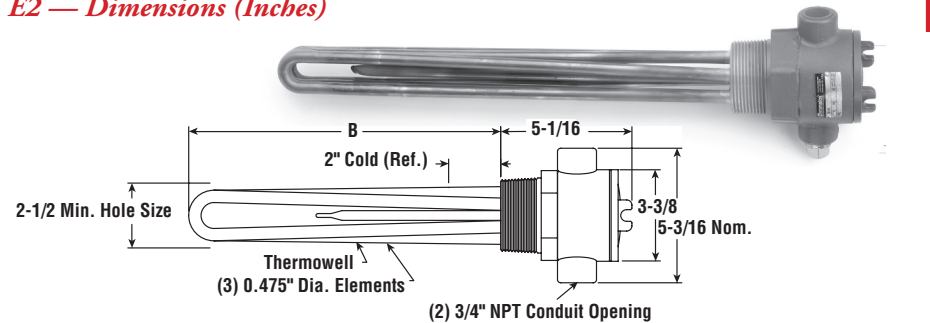
## MTO-3 Light Weight Oil Applications

- 2-1/2" NPT Steel Screw Plug
- Steel Sheath Elements
- 23 - 26 W/in<sup>2</sup>
- 3 - 9 kW
- Without Thermostat
- 120, 208, 240 and 480 Volt, 1 and 3 Phase
- General Purpose, Moisture Resistant/Explosion Resistant Terminal Enclosure or Moisture Resistant

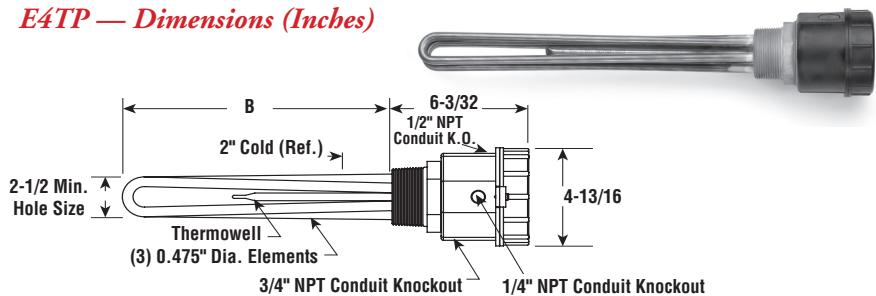
E1 — Dimensions (Inches)



E2 — Dimensions (Inches)



E4TP — Dimensions (Inches)



SCREW PLUG



Same-day shipping on stock item orders received before 4 pm CST.  
3-day shipping on assembly-stock items.

### Specifications and Ordering Information

						E1 General Purpose <sup>1</sup>				E2 Moisture Resistant/ Explosion Resistant <sup>2</sup>				E4 Moisture Resistant			
kW	Volts	Phase	W/in <sup>2</sup>	No. Elem.	DIM B (In.)	Model	Stock	PCN	Wt. (Lbs.)	Model	Stock	PCN	Wt. (Lbs.)	Model	Stock	PCN	Wt. (Lbs.)
3	120	1	24	3	17-1/4	MTO-330A	NS	191716	6	MTO-330E2	NS	310869	9	MTO-330E4TP	NS	064514	12
3	240	1	24	3	17-1/4	MTO-330A	S	191724	6	MTO-330E2	NS	289107	9	MTO-330E4TP	NS	064522	12
3	480	1	24	3	17-1/4	MTO-330A	S	191732	6	MTO-330E2	NS	289123	9	MTO-330E4TP	NS	064530	12
3	240	3	24	3	17-1/4	MTO-330A	NS	191759	6	MTO-330E2	NS	289115	9	MTO-330E4TP	NS	064549	12
3	480	3	24	3	17-1/4	MTO-330A	S	191767	6	MTO-330E2	S	289131	9	MTO-330E4TP	NS	064557	12
3	208	1	24	3	17-1/4	MTO-330A	NS	322000	6	MTO-330E2	NS	322018	9	MTO-330E4TP	NS	064565	12
3	208	3	24	3	17-1/4	MTO-330A	NS	322026	6	MTO-330E2	NS	322034	9	MTO-330E4TP	NS	064573	12
3.75	120	1	26	3	19-1/16	MTO-337A	NS	191775	6	MTO-337E2	NS	310877	9	MTO-337E4TP	NS	064581	12
3.75	240	1	26	3	19-1/16	MTO-337A	NS	191783	6	MTO-337E2	NS	289140	9	MTO-337E4TP	NS	064590	12
3.75	480	1	26	3	19-1/16	MTO-337A	S	191791	6	MTO-337E2	NS	289166	9	MTO-337E4TP	NS	064602	12
3.75	240	3	26	3	19-1/16	MTO-337A	NS	191812	6	MTO-337E2	NS	289158	9	MTO-337E4TP	NS	064610	12
3.75	480	3	26	3	19-1/16	MTO-337A	S	191820	6	MTO-337E2	NS	289174	9	MTO-337E4TP	NS	064629	12
3.75	208	1	26	3	19-1/16	MTO-337A	NS	322042	6	MTO-337E2	NS	322050	9	MTO-337E4TP	NS	064637	12
3.75	208	3	26	3	19-1/16	MTO-337A	NS	322069	6	MTO-337E2	NS	322077	9	MTO-337E4TP	NS	064645	12
4.5	120	1	24	3	24-3/8	MTO-345A	NS	191839	6	MTO-345E2	NS	310885	9	MTO-345E4TP	NS	064653	12
4.5	240	1	24	3	24-3/8	MTO-345A	NS	191847	6	MTO-345E2	NS	289182	9	MTO-345E4TP	NS	064661	12
4.5	480	1	24	3	24-3/8	MTO-345A	S	191855	6	MTO-345E2	NS	289203	9	MTO-345E4TP	NS	064670	12
4.5	240	3	24	3	24-3/8	MTO-345A	NS	191871	6	MTO-345E2	NS	289190	9	MTO-345E4TP	NS	064688	12
4.5	480	3	24	3	24-3/8	MTO-345A	S	191880	6	MTO-345E2	S	289211	9	MTO-345E4TP	NS	064696	12
4.5	208	1	24	3	24-3/8	MTO-345A	NS	322085	6	MTO-345E2	NS	322093	9	MTO-345E4TP	NS	064709	12
4.5	208	3	24	3	24-3/8	MTO-345A	NS	322106	6	MTO-345E2	NS	322114	9	MTO-345E4TP	NS	064717	12
6	120	1	23	3	32-1/4	MTO-360A	NS	191898	9	MTO-360E2	NS	310893	12	MTO-360E4TP	NS	064725	15
6	240	1	23	3	32-1/4	MTO-360A	NS	191900	9	MTO-360E2	NS	289220	12	MTO-360E4TP	NS	064733	15
6	480	1	23	3	32-1/4	MTO-360A	S	191919	9	MTO-360E2	NS	289246	12	MTO-360E4TP	NS	064741	15
6	240	3	23	3	32-1/4	MTO-360A	NS	191935	9	MTO-360E2	NS	289238	12	MTO-360E4TP	NS	064750	15
6	480	3	23	3	32-1/4	MTO-360A	S	191943	9	MTO-360E2	S	289254	12	MTO-360E4TP	NS	064768	15
6	208	1	23	3	32-1/4	MTO-360A	NS	322122	9	MTO-360E2	NS	322130	12	MTO-360E4TP	NS	064776	15
6	208	3	23	3	32-1/4	MTO-360A	NS	322149	9	MTO-360E2	NS	322157	12	MTO-360E4TP	NS	064784	15

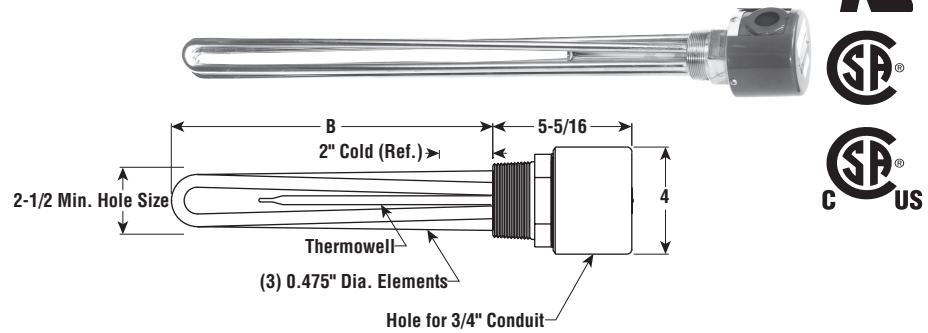
# Immersion

## MTO-3

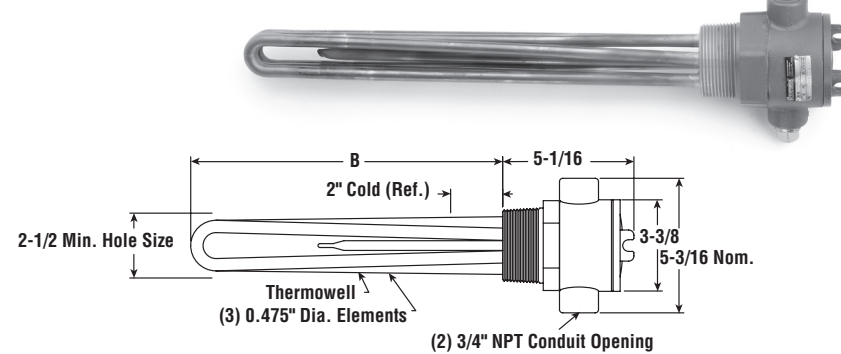
### Light Weight Oil Applications (cont'd.)

- 2-1/2" NPT Steel Screw Plug
- Steel Sheath Elements
- 23 - 26 W/in<sup>2</sup>
- 3 - 9 kW
- Without Thermostat
- 120, 208, 240 and 480 Volt, 1 and 3 Phase
- General Purpose, Moisture Resistant/Explosion Resistant Terminal Enclosure or Moisture Resistant

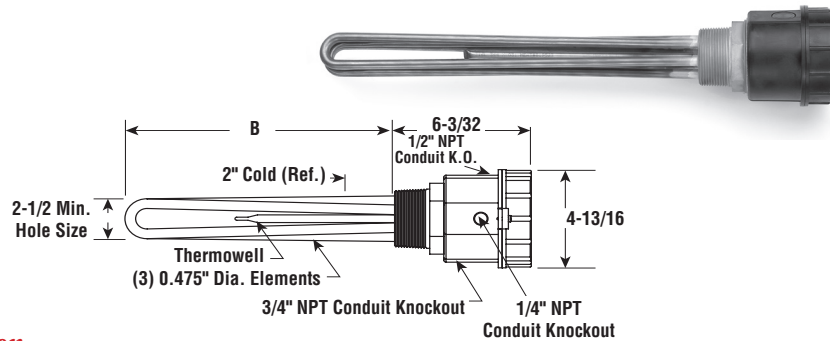
E1 — Dimensions (Inches)



E2 — Dimensions (Inches)



E4TP — Dimensions (Inches)



### Specifications and Ordering Information

						E1 General Purpose <sup>1</sup>				E2 Moisture Resistant/ Explosion Resistant <sup>2</sup>				E4 Moisture Resistant			
kW	Volts	Phase	W/in <sup>2</sup>	No. Elem.	DIM B (In.)	Model	Stock	PCN	Wt. (Lbs.)	Model	Stock	PCN	Wt. (Lbs.)	Model	Stock	PCN	Wt. (Lbs.)
7.5	240	1	23	3	39-3/4	MTO-375A	NS	191951	10	MTO-375E2	NS	289262	13	MTO-375E4TP	NS	064792	16
7.5	480	1	23	3	39-3/4	MTO-375A	NS	191960	10	MTO-375E2	NS	289289	13	MTO-375E4TP	NS	064805	16
7.5	240	3	23	3	39-3/4	<b>MTO-375A S</b>	<b>191978</b>	10	MTO-375E2	NS	289270	13	MTO-375E4TP	NS	064813	16	
7.5	480	3	23	3	39-3/4	<b>MTO-375A S</b>	<b>191986</b>	10	MTO-375E2	NS	289297	13	MTO-375E4TP	NS	064821	16	
7.5	208	1	23	3	39-3/4	MTO-375A	NS	322165	10	MTO-375E2	NS	322173	13	MTO-375E4TP	NS	064830	16
7.5	208	3	23	3	39-3/4	MTO-375A	NS	322181	10	MTO-375E2	NS	322190	13	MTO-375E4TP	NS	064848	16
9	240	1	23	3	47-1/4	MTO-390A	NS	191994	11	MTO-390E2	NS	289300	14	MTO-390E4TP	NS	064856	17
9	480	1	23	3	47-1/4	MTO-390A	NS	192006	11	MTO-390E2	NS	289326	14	MTO-390E4TP	NS	064864	17
9	240	3	23	3	47-1/4	<b>MTO-390A S</b>	<b>192014</b>	11	MTO-390E2	NS	289318	14	MTO-390E4TP	NS	064872	17	
9	480	3	23	3	47-1/4	<b>MTO-390A S</b>	<b>192022</b>	11	<b>MTO-390E2 S</b>	<b>289334</b>	14	MTO-390E4TP	NS	064880	17		
9	208	1	23	3	47-1/4	MTO-390A	NS	322202	11	MTO-390E2	NS	322210	14	MTO-390E4TP	NS	064899	17
9	208	3	23	3	47-1/4	MTO-390A	NS	322229	11	MTO-390E2	NS	322237	14	MTO-390E4TP	NS	064901	17

Stock Status: S = stock NS = non-stock  
To Order—Specify model, volts, phase, kW, PCN and quantity.

**FASTShip**

1. Heaters with General Purpose Enclosures are UL Recognized and CSA Certified.
2. Heaters with Moisture Resistant/Explosion Resistant Enclosures are <sub>c</sub>CSA<sub>us</sub>® Certified.

Same-day shipping on stock item orders received before 4 pm CST, 3-day shipping on assembly-stock items.