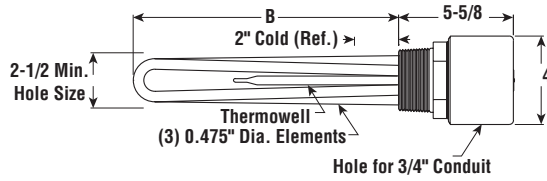


Immersion

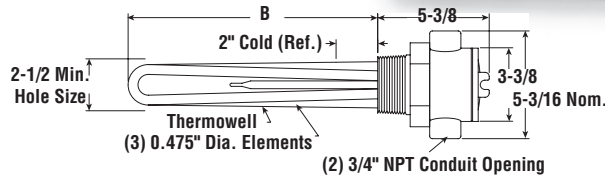
MT-3 Clean Water Applications

- 2-1/2" NPT Brass Screw Plug
- Copper Sheath Elements
- High Watt Density (46 - 53 W/in²)
- 3 - 18 kW
- Without Thermostat
- 120, 208, 240 and 480 Volt, 1 and 3 Phase
- General Purpose, Moisture Resistant/Explosion Resistant Terminal Enclosure or Moisture Resistant

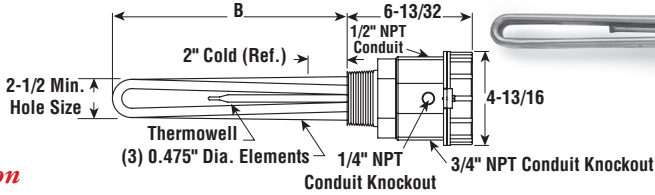
E1 — Dimensions (Inches)



E2 — Dimensions (Inches)



E4TP — Dimensions (Inches)



SCREW PLUG



Specifications and Ordering Information

						E1 General Purpose ¹				E2 Moisture Resistant/ Explosion Resistant ²				E4 Moisture Resistant			
kW	Volts	Phase	W/in ²	No. Elem.	DIM B (In.)	Model	Stock	PCN	Wt. (Lbs.)	Model	Stock	PCN	Wt. (Lbs.)	Model	Stock	PCN	Wt. (Lbs.)
3	120	1	51	3	7-3/8	MT-330A	NS	191396	5	MT-330E2	NS	310800	8	MT-330E4TP	NS	063861	5
3	240	1	51	3	7-3/8	MT-330A	NS	191409	5	MT-330E2	NS	288809	8	MT-330E4TP	NS	063870	5
3	480	1	51	3	7-3/8	MT-330A	NS	191417	5	MT-330E2	NS	310818	8	MT-330E4TP	NS	063888	5
3	240	3	51	3	7-3/8	MT-330A	S	191433	5	MT-330E2	NS	288817	8	MT-330E4TP	NS	063896	5
3	480	3	51	3	7-3/8	MT-330A	S	191441	5	MT-330E2	NS	322288	8	MT-330E4TP	NS	063909	5
3	208	1	51	3	7-3/8	MT-330A	NS	322245	5	MT-330E2	NS	322253	8	MT-330E4TP	NS	063917	5
3	208	3	51	3	7-3/8	MT-330A	NS	322261	5	MT-330E2	NS	322270	8	MT-330E4TP	NS	063925	5
3.75	120	1	52	3	8-7/8	MT-337A	NS	191450	6	MT-337E2	NS	310826	9	MT-337E4TP	NS	063933	6
3.75	240	1	52	3	8-7/8	MT-337A	NS	191468	6	MT-337E2	NS	288825	9	MT-337E4TP	NS	063941	6
3.75	480	1	52	3	8-7/8	MT-337A	NS	191476	6	MT-337E2	NS	310834	9	MT-337E4TP	NS	063950	6
3.75	240	3	52	3	8-7/8	MT-337A	NS	191492	6	MT-337E2	NS	288833	9	MT-337E4TP	NS	063968	6
3.75	480	3	52	3	8-7/8	MT-337A	S	191505	6	MT-337E2	NS	322333	9	MT-337E4TP	NS	063976	6
3.75	208	1	52	3	8-7/8	MT-337A	NS	322296	6	MT-337E2	NS	322309	9	MT-337E4TP	NS	063984	6
3.75	208	3	52	3	8-7/8	MT-337A	NS	322317	6	MT-337E2	NS	322325	9	MT-337E4TP	NS	063992	6
4.5	120	1	48	3	11-3/8	MT-345A	NS	191513	6	MT-345E2	NS	310842	9	MT-345E4TP	NS	064004	6
4.5	240	1	48	3	11-3/8	MT-345A	S	191521	6	MT-345E2	NS	288841	9	MT-345E4TP	NS	064012	6
4.5	480	1	48	3	11-3/8	MT-345A	NS	191530	6	MT-345E2	NS	288868	9	MT-345E4TP	NS	064020	6
4.5	240	3	48	3	11-3/8	MT-345A	S	191556	6	MT-345E2	NS	288850	9	MT-345E4TP	NS	064039	6
4.5	480	3	48	3	11-3/8	MT-345A	S	191564	6	MT-345E2	NS	288876	9	MT-345E4TP	NS	064047	6
4.5	208	1	48	3	11-3/8	MT-345A	NS	322341	6	MT-345E2	NS	322350	9	MT-345E4TP	NS	064055	6
4.5	208	3	48	3	11-3/8	MT-345A	NS	322368	6	MT-345E2	NS	322376	9	MT-345E4TP	NS	064063	6
6	120	1	48	3	17-3/8	MT-360A	NS	191572	8	MT-360E2	NS	310850	11	MT-360E4TP	NS	064071	8
6	240	1	48	3	17-3/8	MT-360A	NS	191580	8	MT-360E2	NS	288884	11	MT-360E4TP	NS	064080	8
6	480	1	48	3	17-3/8	MT-360A	NS	191599	8	MT-360E2	NS	288905	11	MT-360E4TP	NS	064098	8
6	240	3	48	3	17-3/8	MT-360A	S	191610	8	MT-360E2	NS	288892	11	MT-360E4TP	NS	064100	8
6	480	3	48	3	17-3/8	MT-360A	S	191628	8	MT-360E2	NS	322392	11	MT-360E4TP	NS	064119	8
6	208	1	48	3	17-3/8	MT-360A	NS	322384	8	MT-360E2	NS	288913	11	MT-360E4TP	NS	064127	8
6	208	3	48	3	17-3/8	MT-360A	NS	322405	8	MT-360E2	NS	322413	11	MT-360E4TP	NS	064135	8
7.5	240	1	53	3	19-1/8	MT-375A	NS	191636	8	MT-375E2	NS	288921	11	MT-375E4TP	NS	064143	8
7.5	480	1	53	3	19-1/8	MT-375A	NS	191644	8	MT-375E2	NS	288948	11	MT-375E4TP	NS	064151	8
7.5	240	3	53	3	19-1/8	MT-375A	S	191652	8	MT-375E2	NS	288930	11	MT-375E4TP	NS	064160	8
7.5	480	3	53	3	19-1/8	MT-375A	S	191660	8	MT-375E2	NS	288956	11	MT-375E4TP	NS	064178	8
7.5	208	1	53	3	19-1/8	MT-375A	NS	322421	8	MT-375E2	NS	322430	11	MT-375E4TP	NS	064186	8
7.5	208	3	53	3	19-1/8	MT-375A	NS	322448	8	MT-375E2	NS	322456	11	MT-375E4TP	NS	064194	8
9	240	1	47	3	24-1/2	MT-390A	NS	191679	12	MT-390E2	NS	288964	15	MT-390E4TP	NS	064207	12
9	480	1	47	3	24-1/2	MT-390A	NS	191687	12	MT-390E2	NS	288980	15	MT-390E4TP	NS	064215	12
9	240	3	47	3	24-1/2	MT-390A	S	191695	12	MT-390E2	NS	288972	15	MT-390E4TP	NS	064223	12
9	480	3	47	3	24-1/2	MT-390A	S	191708	12	MT-390E2	S	288999	15	MT-390E4TP	NS	064231	12
9	208	1	47	3	24-1/2	MT-390A	NS	322464	12	MT-390E2	NS	322472	15	MT-390E4TP	NS	064240	12
9	208	3	47	3	24-1/2	MT-390A	NS	322480	12	MT-390E2	NS	322499	15	MT-390E4TP	NS	064258	12

¹Under the U.S. Federal Safe Drinking Water Act, it is unlawful to install or use this product in any service that comes into contact with water for human consumption (including drinking, food or beverage preparation, hand washing, or teeth brushing). This product is intended exclusively for use in non-potable service.

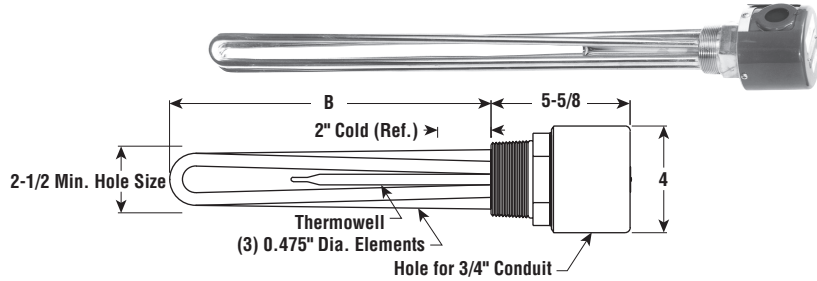
Immersion

MT-3

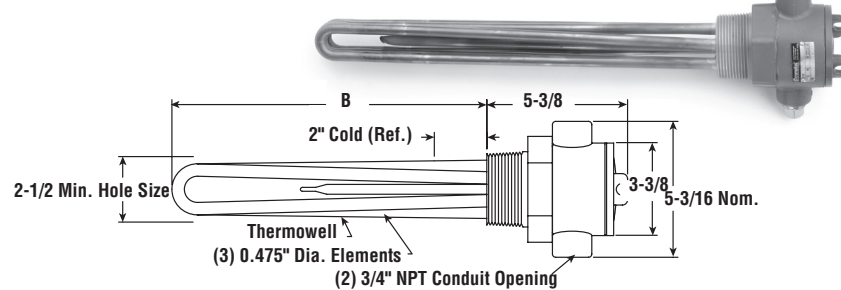
Clean Water Applications (cont'd.)

- 2-1/2" NPT Brass Screw Plug
- Copper Sheath Elements
- High Watt Density (46 - 53 W/in²)
- 3 - 18 kW
- Without Thermostat
- 120, 208 and 480 Volt, 1 and 3 Phase
- General Purpose, Moisture Resistant/Explosion Resistant Terminal Enclosure or Moisture Resistant

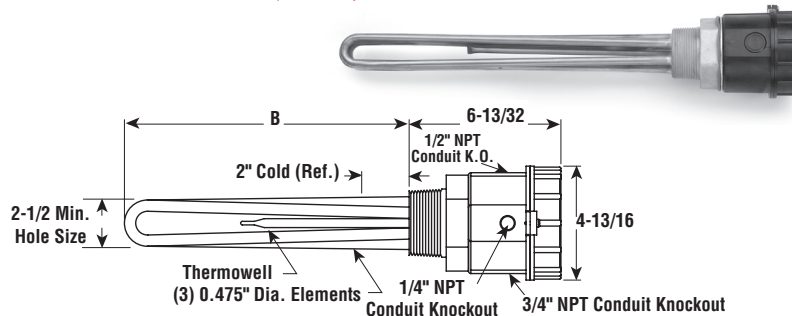
E1 — Dimensions (Inches)



E2 — Dimensions (Inches)



E4TP — Dimensions (Inches)



Specifications and Ordering Information

kW	Volts	Phase	W/in ²	No. Elem.	DIM. B (In.)	E1 General Purpose ¹			E2 Moisture Resistant/Explosion Resistant ²				E4 Moisture Resistant				
						Model	Stock	PCN	Wt. (Lbs.)	Model	Stock	PCN	Wt. (Lbs.)	Model	Stock	PCN	Wt. (Lbs.)
12	208	1	46	3	32-5/16	MT-3120A	NS	322501	13	MT-3120E2	NS	322510	16	MT-3120E4TP	NS	063693	13
12	208	3	46	3	32-5/16	MT-3120A	NS	322528	13	MT-3120E2	NS	322536	16	MT-3120E4TP	NS	063706	13
12	240	1	46	3	32-5/16	MT-3120A	NS	322544	13	MT-3120E2	NS	322552	16	MT-3120E4TP	NS	063714	13
12	240	3	46	3	32-5/16	MT-3120A	NS	322560	13	MT-3120E2	NS	322579	16	MT-3120E4TP	NS	063722	13
12	480	1	46	3	32-5/16	MT-3120A	NS	322587	13	MT-3120E2	NS	322595	16	MT-3120E4TP	NS	063730	13
12	480	3	46	3	32-5/16	MT-3120A	NS	322608	13	MT-3120E2	NS	322616	16	MT-3120E4TP	NS	063749	13
15	208	1	46	3	39-3/4	MT-3150A	NS	322624	14	MT-3150E2	NS	322632	17	MT-3150E4TP	NS	063757	14
15	208	3	46	3	39-3/4	MT-3150A	NS	322640	14	MT-3150E2	NS	322659	17	MT-3150E4TP	NS	063765	14
15	240	1	46	3	39-3/4	MT-3150A	NS	322667	14	MT-3150E2	NS	322675	17	MT-3150E4TP	NS	063773	14
15	240	3	46	3	39-3/4	MT-3150A	NS	322683	14	MT-3150E2	NS	322691	17	MT-3150E4TP	NS	063781	14
15	480	1	46	3	39-3/4	MT-3150A	NS	322704	14	MT-3150E2	NS	322712	17	MT-3150E4TP	NS	063790	14
15	480	3	46	3	39-3/4	MT-3150A	NS	322720	14	MT-3150E2	NS	322739	17	MT-3150E4TP	NS	063802	14
18	208	3	46	3	47-1/4	MT-3180A	NS	322747	15	MT-3180E2	NS	322755	18	MT-3180E4TP	NS	063810	15
18	240	1	46	3	47-1/4	MT-3180A	NS	322763	15	MT-3180E2	NS	322771	18	MT-3180E4TP	NS	063829	15
18	240	3	46	3	47-1/4	MT-3180A	NS	322780	15	MT-3180E2	NS	322798	18	MT-3180E4TP	NS	063837	15
18	480	1	46	3	47-1/4	MT-3180A	NS	322800	15	MT-3180E2	NS	322819	18	MT-3180E4TP	NS	063845	15
18	480	3	46	3	47-1/4	MT-3180A	NS	322827	15	MT-3180E2	NS	322835	18	MT-3180E4TP	NS	063853	15

Specify model, volts, phase, kW, PCN and quantity.

1. Heaters with General Purpose Enclosures are UL Listed and CSA Certified.
2. Heaters with Moisture Resistant/Explosion Resistant Enclosures are CSA NRTL/C Certified.
3. Not UL Listed, CSA Certified or _CCSA_{US}® Certified (Exceeds 48 Amps).



Same-day shipping on stock item orders received before 4 pm CST. 3-day shipping on assembly-stock items.

"Under the U.S. Federal Safe Drinking Water Act, it is unlawful to install or use this product in any service that comes into contact with water for human consumption (including drinking, food or beverage preparation, hand washing, or teeth brushing). This product is intended exclusively for use in non-potable service."