

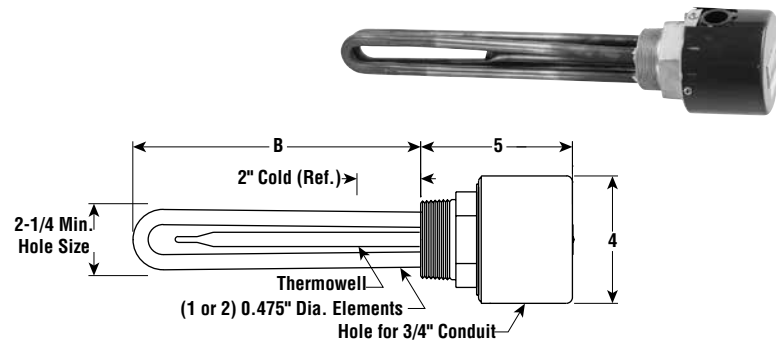
Immersion

MT-2

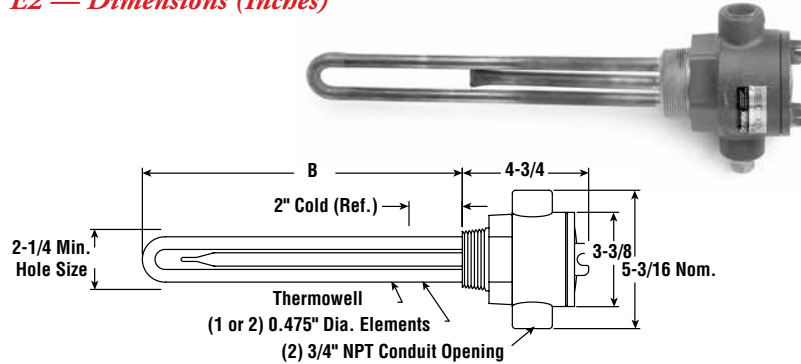
Clean Water Applications (cont'd.)

- 2" NPT Brass Screw Plug
- Copper Sheath Elements
- High Watt Density (46 - 53 W/In²)
- 1.5 - 15 kW
- Without Thermostat
- 120, 208, 240 and 480 Volt, Single Phase
- General Purpose, Moisture Resistant/Explosion Resistant Terminal Enclosure or Moisture Resistant

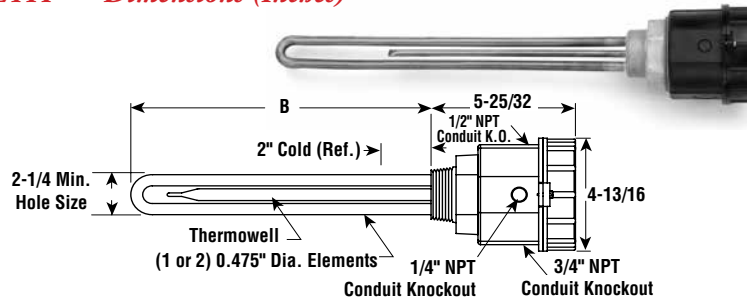
E1 — Dimensions (Inches)



E2 — Dimensions (Inches)



E4TP — Dimensions (Inches)



Specifications and Ordering Information

						E1 General Purpose ¹					E2 Moisture Resistant/ Explosion Resistant ²				E4 Moisture Resistant			
kW	Volts	Phase	W/In ²	No. Elem.	DIM B (In.)	Model	Stock	PCN	Wt. (Lbs.)	Model	Stock	PCN	Wt. (Lbs.)	Model	Stock	PCN	Wt. (Lbs.)	
6	240	1	47	2	25-1/8	MT-260A	S	139660	5	MT-260E2	NS	288382	8	MT-260E4TP	NS	062447	5	
6	480	1	47	2	25-1/8	MT-260A	S	139678	5	MT-260E2	NS	288390	8	MT-260E4TP	NS	062455	5	
6	208	1	47	2	25-1/8	MT-260A	NS	295179	5	MT-260E2	NS	288187	8	MT-260E4TP	NS	062463	5	
7	240	1	49	2	28	MT-270A	S	139686	6	MT-270E2	NS	288403	9	MT-270E4TP	NS	062471	6	
7	480	1	49	2	28	MT-270A	S	139694	6	MT-270E2	S	288411	9	MT-270E4TP	NS	062480	6	
10	240	1	46	2	40-1/2	MT-2100A	S	139707	7	MT-2100E2	NS	288420	10	MT-2100E4TP	NS	062084	7	
10	480	1	46	2	40-1/2	MT-2100A	S	139715	7	MT-2100E2	NS	288438	10	MT-2100E4TP	NS	062092	7	
10	208	1	46	2	40-1/2	MT-2100A	NS	295195	7	MT-2100E2	NS	295208	10	MT-2100E4TP	NS	062105	7	
12	240	1	46	2	48	MT-2120A*	NS	295232	8	MT-2120E2*	NS	295240	11	MT-2120E4TP*	NS	062121	8	
12	480	1	46	2	48	MT-2120A	NS	295259	8	MT-2120E2	NS	295267	11	MT-2120E4TP*	NS	062130	8	
12	208	1	46	2	48	MT-2120A*	NS	295216	8	MT-2120E2*	NS	295224	11	MT-2120E4TP	NS	062113	8	
15	240	1	50	2	54	MT-2150A*	NS	295312	9	MT-2150E2*	NS	295339	12	MT-2150E4TP*	NS	062148	9	
15	480	1	50	2	54	MT-2150A	NS	295320	9	MT-2150E2	NS	295347	12	MT-2150E4TP	NS	062156	9	

To Order—Specify model, volts, phase, kW, PCN and quantity.

1. Heaters with General Purpose Enclosures are UL Listed and CSA Certified except Models with *(Exceeds 48 Amps).
2. Heaters with Moisture Resistant/Explosion Resistant Enclosures are cCSA_{US}® Certified except Models with *(Exceeds 48 Amps).

FASTShip

Same-day shipping on stock item orders received before 4 pm CST. 3-day shipping on assembly-stock items.

"Under the U.S. Federal Safe Drinking Water Act, it is unlawful to install or use this product in any service that comes into contact with water for human consumption (including drinking, food or beverage preparation, hand washing, or teeth brushing). This product is intended exclusively for use in non-potable service."