



LM-2 Solid State Relay Driver for SSR Series

- Easily Mounted Directly to Terminals
- Single & 3-Phase 2-Leg Configurations
- Accepts 4-20mA Control Signal
- Power Supply not Required
- For Use with Chromalox SSR Series Controllers



Description

The LM-2 (0135-28144) module accepts a 4 - 20 mA control signal and converts it to a 4.5 - 32 VDC time proportional control signal. Power supply is not required. The LM-2 is powered by the 4 - 20 mA loop. The LM-2 Module supports single and three-phase 2-leg power control configurations.

The LM-2 module mounts directly to the input terminals labeled A2(-) and A1(+) of the solid state relay. Screw terminals are provided on the LM-2 module for the 4 - 20 mA control signal. The solid state relay's load is connected to terminals L1 and T1.

Once the connections are made the LM-2 module and solid state relays provide a time proportional zero-fired control signal to the load.

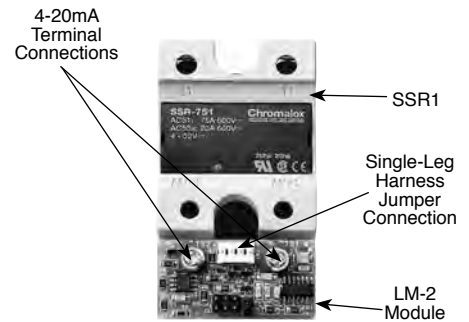
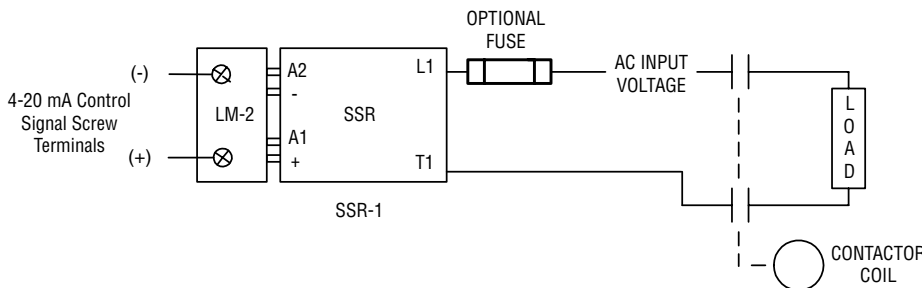
Specifications

Input 4 - 20 mA
 Time Base 3 Cycle Resolution
 Compliance Voltage Requirement 6.4 VDC (320 ohms @ 20 mA)
 Span & Linearity Better than 2%
 Ambient Temperature 32 - 104°F
 Dimensions 1.25"W x 1.75"L x .75"D

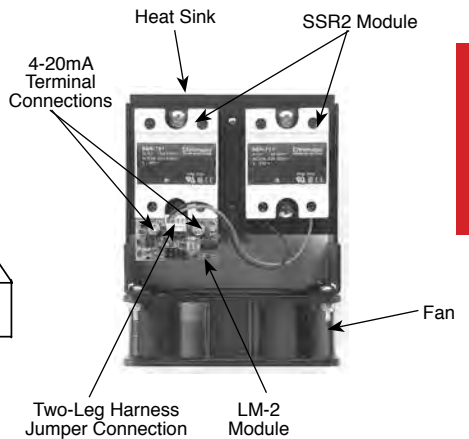
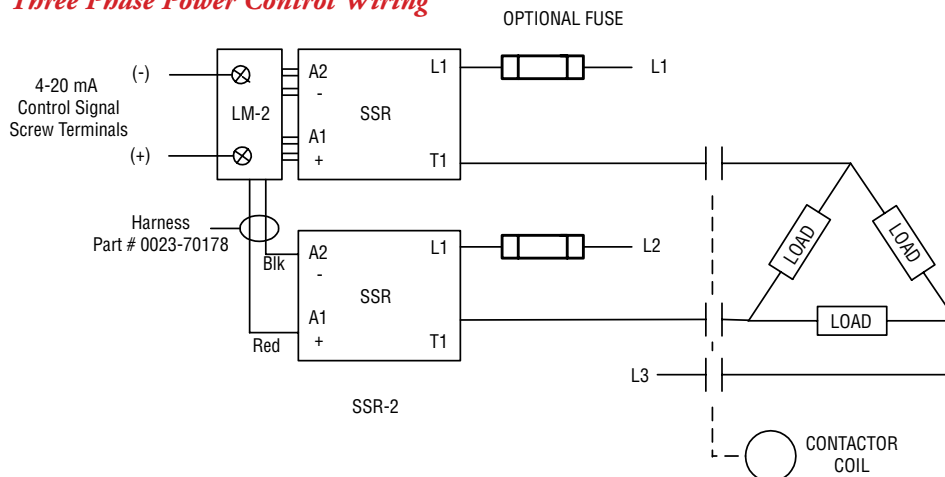
Stock PCN Chart

Model	PCN
0135-28144	341260

Single Phase Power Control Wiring



Three Phase Power Control Wiring



SCR COMPONENTS