

HD3D

Hose Down Corrosion Resistant Blower Heater

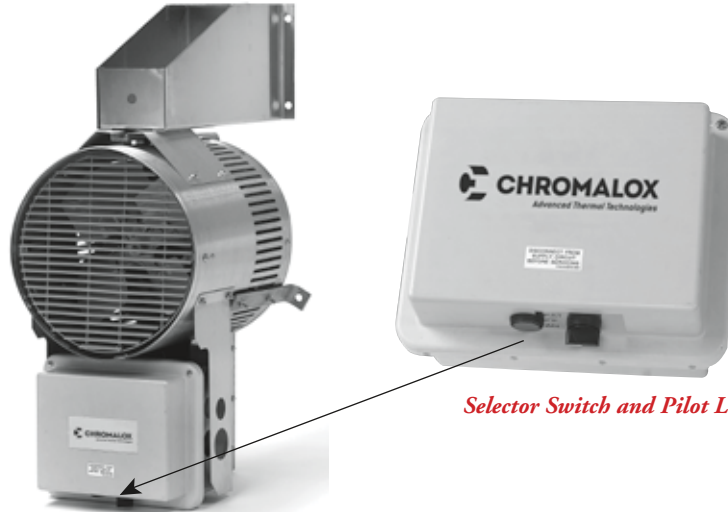
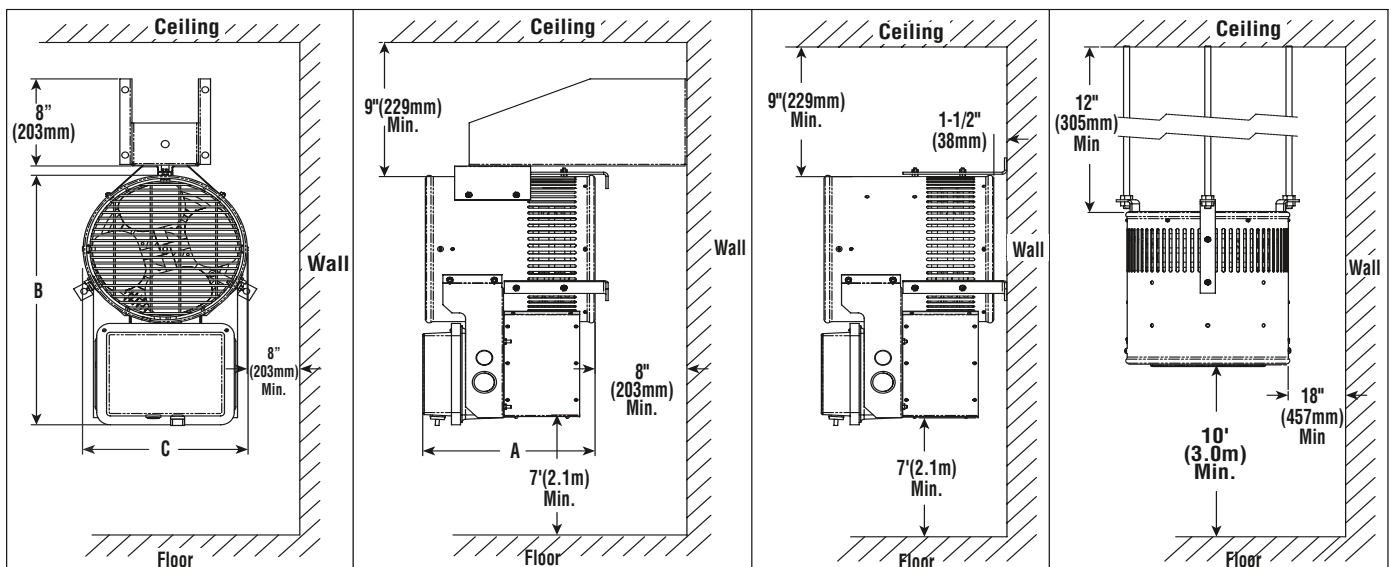
- 2 - 39 kW
- 6,800 - 133,110 Btuh
- 120, 208, 240, 277, 480 and 575 Volt (up to 690V available without 3rd party)
- 1 & 3 Phase
- Built-in Controls
- Vertical or Horizontal Airflow
- Wall or Ceiling Mounted Configurations

Advantages

Because it has an adjustable discharge grille to direct air flow, and can be wall or ceiling (plus swivel) mounted, the HD3D heater may be used in a variety of heating applications:

- Primary Heating
- Supplementary Heating
- Dual System Heating
- Spot Heating
- Entryway Air-Curtain Heating
- Freeze Protection

Dimensions In. (mm)



Selector Switch and Pilot Light

Description

This reliable, rugged, self-contained HD3D heater is an ideal heat source for freeze protection or comfort heat in dusty/dirty/corrosive non-hazardous environments. Standard HD3D heaters include low profile stainless steel wall/ceiling mounting brackets that can be used to mount directly to a wall for horizontal airflow perpendicular to the wall. These brackets can also be used to mount the heater directly to the ceiling for vertical airflow.

Applications

Waste Water Treatment Plants, Coal Handling Areas, Food Processing Plants, Foundries, Steel Mills, Cement Plants, Ships, Construction Sites, Car Washes, Swimming Pool Areas, Canneries, Hose Down (for cleaning). Corrosion Resistant for Harsh Environments and Dairies.

Dimensions In. (mm)

kW	Volts	Phase	A	B	C
2.0 - 7.5	All	1, 3	13-1/2 (342.9)	24-1/2 (622.3)	15 (381.0)
10.0 - 20.0	All	1, 3	17-1/4 (438.2)	28 (711.2)	15-1/8 (384.2)
25.0 - 39.0	480, 575	3	21-1/4 (539.8)	32-1/4 (819.2)	19-1/2 (495.3)

HD3D Hose Down Corrosion Resistant Blower Heater (cont'd.)

Construction

Roll Formed Case is constructed of 20 gauge corrosion resistant type 304 stainless steel.

Adjustable Discharge Grille directs air flow up or down as needed.

NEMA 4X Control Enclosure houses the heater controls, contactors and control voltage transformer, easily accessible from front of heater.

Heating Elements — High quality, long-life, Stainless Steel Fintube® (type 316) offers maximum resistance to corrosion.

Totally Enclosed Motor — The motor is permanently lubricated, ball bearing type and is epoxy painted for moisture and corrosion resistance.

Dynamically Balanced Fan — Aluminum fan is epoxy coated and provides optimum air flow across the heating elements.

Features

Transformer provides a 120V control circuit (24V optional). Standard on all units except 2 kW and 3 kW, 120V.

Heavy Duty Contactors for heating circuit and motor are included. (Not furnished on 120V, 2 and 3 kW units)

Automatic Reset Thermal Cutout is provided for fast heat response and overheat protection.

Fan Time Delay Relay dissipates residual heat build-up after shutdown.

Low Profile Fixed Wall & Ceiling Mounting Bracket (Non Swiveling)

Optional Features

- Integral Thermostat*
 - 40°F to 90°F (4.4°C to 32°C)
(This Thermostat Range Supplied Unless Otherwise Specified)
 - 55°F to 105°F (12.8°C to 40.6°C)
- Pilot Light*
 - Green Indicates Power On
- Selector Switch (3 position) — Heater On,* Off or Fan Only Operation for Heater
- Manual Reset Cutout
- Epoxy Painted Stainless Steel Case
- 24V Control Circuit

Accessories

Universal Swivel Wall & Ceiling Brackets Ordering Information

Model	PCN	Used With	Stock Status
USB-1	520604	HD3D 200 to 750	S
USB-2	520612	HD3D 1000 to 2000	S
USB-3	520620	HD3D 2500 to 4000	S

External Drip Shields Ordering Information

Model	PCN	Used With	Stock Status
HD3DS-1	520639	HD3D 200 to 750	S
HD3DS-2	520647	HD3D 1000 to 2000	S
HD3DS-3	520655	HD3D 2500 to 4000	S

Field Installable Disconnect Kit

The disconnect kit consists of a complete liquid tight assembly, including a 3-pole 48 Amp Switch, power terminal block and all the hardware to mount to the main heater enclosure. Positive action to remove all power from enclosure.

Ordering Information

Model	PCN	Used With	Stock Status
DS-50HD	520663	All	S

HD3D Hose Down Corrosion Resistant Blower Heater *(cont'd.)*

Specifications and Ordering Information

Electrical (60 Hz)				Motor					Air Delivery					Ordering			
kW	Volts	Phase	Full Load Amps	Control Volts	Phase	HP	RPM	CFM	Air Flow ft ³ /min (m ³ /hr)	Air Speed ft/min (m/min)	Temp. Rise °F (°C)	Horiz. Throw Ft. (m)	Mtg. Ht. ** Ft. (m)	Model	Stock	PCN	Wt. Lbs. (kg)
2	120	1	17.5	115	1	1/15	1,050	405	405 (688)	430 (131.1)	21 (11.7)	12 (3.7)	7 (2.1)	HD3D-200	NS	520014	45 (20.5)
2	208	1	10	208	1	1/15	1,050	405	405 (688)	430 (131.1)	21 (11.7)	12 (3.7)	7 (2.1)	HD3D-200	NS	520022	45 (20.5)
2	240	1	9	240	1	1/15	1,050	405	405 (688)	430 (131.1)	21 (11.7)	12 (3.7)	7 (2.1)	HD3D-200	NS	520030	45 (20.5)
2	277	1	7.5	277	1	1/15	1,050	405	405 (688)	430 (131.1)	21 (11.7)	12 (3.7)	7 (2.1)	HD3D-200	NS	520049	45 (20.5)
3	120	1	25.5	115	1	1/15	1,050	405	405 (688)	430 (131.1)	31 (17.2)	12 (3.7)	7 (2.1)	HD3D-300	NS	520057	45 (20.5)
3	208	1	15	208	1	1/15	1,050	405	405 (688)	430 (131.1)	31 (17.2)	12 (3.7)	7 (2.1)	HD3D-300	NS	520065	45 (20.5)
3	240	1	13	240	1	1/15	1,050	405	405 (688)	430 (131.1)	31 (17.2)	12 (3.7)	7 (2.1)	HD3D-300	NS	520073	45 (20.5)
3	277	1	11.5	277	1	1/15	1,050	405	405 (688)	430 (131.1)	31 (17.2)	12 (3.7)	7 (2.1)	HD3D-300	NS	520081	45 (20.5)
5	208	1	24.5	208	1	1/15	1,050	405	405 (688)	430 (131.1)	40 (22.2)	12 (3.7)	7 (2.1)	HD3D-500	NS	520090	50 (22.7)
5	240	1	21.5	240	1	1/15	1,050	405	405 (688)	430 (131.1)	40 (22.2)	12 (3.7)	7 (2.1)	HD3D-500	NS	520102	50 (22.7)
5	277	1	18.5	277	1	1/15	1,050	405	405 (688)	430 (131.1)	40 (22.2)	12 (3.7)	7 (2.1)	HD3D-500	NS	520110	50 (22.7)
5	480	1	11	480	1	1/15	1,050	405	405 (688)	430 (131.1)	40 (22.2)	12 (3.7)	7 (2.1)	HD3D-500	NS	520129	50 (22.7)
5	208	3	14.5	208	1	1/15	1,050	405	405 (688)	430 (131.1)	40 (22.2)	12 (3.7)	7 (2.1)	HD3D-500 T	NS	520137	50 (22.7)
5	240	3	12.5	240	1	1/15	1,050	405	405 (688)	430 (131.1)	40 (22.2)	12 (3.7)	7 (2.1)	HD3D-500	NS	520145	50 (22.7)
5	480	3	6.5	480	1	1/15	1,050	405	405 (688)	430 (131.1)	40 (22.2)	12 (3.7)	7 (2.1)	HD3D-500 [†]	S	520153	50 (22.7)
5	480	3	6.5	480	1	1/15	1,050	405	405 (688)	430 (131.1)	40 (22.2)	12 (3.7)	7 (2.1)	HD3D-500 TSP ^{††}	S	520161	51 (23.2)
5	575	3	5.5	575	1	1/15	1,050	405	405 (688)	430 (131.1)	40 (22.2)	12 (3.7)	7 (2.1)	HD3D-500	NS	520170	50 (22.7)
7.5	208	1	36.5	208	1	1/15	1,050	590	590 (1002)	640 (195.1)	37 (20.6)	13 (4.0)	7 (2.1)	HD3D-750	NS	520188	50 (22.7)
7.5	240	1	31.5	240	1	1/15	1,050	590	590 (1002)	640 (195.1)	37 (20.6)	13 (4.0)	7 (2.1)	HD3D-750	NS	520196	50 (22.7)
7.5	277	1	27.5	277	1	1/15	1,050	590	590 (1002)	640 (195.1)	37 (20.6)	13 (4.0)	7 (2.1)	HD3D-750	NS	520209	50 (22.7)
7.5	480	1	16	480	1	1/15	1,050	590	590 (1002)	640 (195.1)	37 (20.6)	13 (4.0)	7 (2.1)	HD3D-750	NS	520217	50 (22.7)
7.5	208	3	21	208	1	1/15	1,050	590	590 (1002)	640 (195.1)	37 (20.6)	13 (4.0)	7 (2.1)	HD3D-750	NS	520225	50 (22.7)
7.5	240	3	18.5	240	1	1/15	1,050	590	590 (1002)	640 (195.1)	37 (20.6)	13 (4.0)	7 (2.1)	HD3D-750	NS	520233	50 (22.7)
7.5	480	3	9.5	480	1	1/15	1,050	590	590 (1002)	640 (195.1)	37 (20.6)	13 (4.0)	7 (2.1)	HD3D-750 [†]	S	520241	50 (22.7)
7.5	480	3	9.5	480	1	1/15	1,050	590	590 (1002)	640 (195.1)	37 (20.6)	13 (4.0)	7 (2.1)	HD3D-750 TSP ^{††}	S	520250	51 (23.2)
7.5	575	3	8	575	1	1/15	1,050	590	590 (1002)	640 (195.1)	37 (20.6)	13 (4.0)	7 (2.1)	HD3D-750	NS	520268	50 (22.7)
10	240	1	42	240	1	1/15	1,050	1,180	1180 (2005)	800 (243.8)	28 (15.6)	40 (12.2)	7 (2.1)	HD3D-1000	NS	520276	60 (27.3)
10	277	1	36.5	277	1	1/15	1,050	1,180	1180 (2005)	800 (243.8)	28 (15.6)	40 (12.2)	7 (2.1)	HD3D-1000	NS	520284	60 (27.3)
10	480	1	21	480	1	1/15	1,050	1,180	1180 (2005)	800 (243.8)	28 (15.6)	40 (12.2)	7 (2.1)	HD3D-1000	NS	520292	60 (27.3)
10	208	3	28	208	1	1/15	1,050	1,180	1180 (2005)	800 (243.8)	28 (15.6)	40 (12.2)	7 (2.1)	HD3D-1000	NS	520305	60 (27.3)
10	240	3	24.5	240	1	1/15	1,050	1,180	1180 (2005)	800 (243.8)	28 (15.6)	40 (12.2)	7 (2.1)	HD3D-1000	NS	520313	60 (27.3)
10	480	3	12.5	480	1	1/15	1,050	1,180	1180 (2005)	800 (243.8)	28 (15.6)	40 (12.2)	7 (2.1)	HD3D-1000 [†]	S	520321	60 (27.3)
10	480	3	12.5	480	1	1/15	1,050	1,180	1180 (2005)	800 (243.8)	28 (15.6)	40 (12.2)	7 (2.1)	HD3D-1000 TSP ^{††}	S	520330	61 (27.7)
10	575	3	10.5	575	1	1/15	1,050	1,180	1180 (2005)	800 (243.8)	28 (15.6)	40 (12.2)	7 (2.1)	HD3D-1000	NS	520348	60 (27.3)
12.5	277	1	45.5	277	1	1/15	1,050	1,180	1180 (2005)	800 (243.8)	28 (15.6)	36 (11.0)	7 (2.1)	HD3D-1250	NS	520356	60 (27.3)
12.5	480	1	26.5	480	1	1/15	1,050	1,180	1180 (2005)	800 (243.8)	28 (15.6)	36 (11.0)	7 (2.1)	HD3D-1250	NS	520364	60 (27.3)
12.5	208	3	35	208	1	1/15	1,050	1,180	1180 (2005)	800 (243.8)	28 (15.6)	36 (11.0)	7 (2.1)	HD3D-1250	NS	520372	60 (27.3)
12.5	240	3	30.5	240	1	1/15	1,050	1,180	1180 (2005)	800 (243.8)	28 (15.6)	36 (11.0)	7 (2.1)	HD3D-1250	NS	520380	60 (27.3)
12.5	480	3	15.5	480	1	1/15	1,050	1,180	1180 (2005)	800 (243.8)	28 (15.6)	36 (11.0)	7 (2.1)	HD3D-1250	NS	520399	60 (27.3)
12.5	575	3	13	575	1	1/15	1,050	1,180	1180 (2005)	800 (243.8)	28 (15.6)	36 (11.0)	7 (2.1)	HD3D-1250	NS	520401	60 (27.3)
15	480	1	31.5	480	1	1/15	1,050	1,330	1330 (2260)	900 (274.3)	32 (17.8)	45 (13.7)	7 (2.1)	HD3D-1500	NS	520410	60 (27.3)
15	208	3	42	208	1	1/15	1,050	1,330	1330 (2260)	900 (274.3)	32 (17.8)	45 (13.7)	7 (2.1)	HD3D-1500	NS	520428	60 (27.3)
15	240	3	36.5	240	1	1/15	1,050	1,330	1330 (2260)	900 (274.3)	32 (17.8)	45 (13.7)	7 (2.1)	HD3D-1500	NS	520436	60 (27.3)
15	480	3	18.5	480	1	1/15	1,050	1,330	1330 (2260)	900 (274.3)	32 (17.8)	45 (13.7)	7 (2.1)	HD3D-1500 [†]	S	520444	60 (27.3)
15	480	3	18.5	480	1	1/15	1,050	1,330	1330 (2260)	900 (274.3)	32 (17.8)	45 (13.7)	7 (2.1)	HD3D-1500 TSP ^{††}	S	520452	61 (27.7)
15	575	3	15.5	575	1	1/15	1,050	1,330	1330 (2260)	900 (274.3)	32 (17.8)	45 (13.7)	7 (2.1)	HD3D-1500	NS	520460	60 (27.3)
19.5	240	3	47.5	240	1	1/15	1,050	1,330	1330 (2260)	900 (274.3)	42 (23.3)	45 (13.7)	7 (2.1)	HD3D-2000	NS	520479	60 (27.3)
20	480	1	42	480	1	1/15	1,050	1,330	1330 (2260)	900 (274.3)	42 (23.3)	45 (13.7)	7 (2.1)	HD3D-2000	NS	520487	60 (27.3)
20	480	3	24.5	480	1	1/15	1,050	1,330	1330 (2260)	900 (274.3)	42 (23.3)	45 (13.7)	7 (2.1)	HD3D-2000 [†]	S	520495	60 (27.3)
20	480	3	24.5	480	1	1/15	1,050	1,330	1330 (2260)	900 (274.3)	42 (23.3)	45 (13.7)	7 (2.1)	HD3D-2000 TSP ^{††}	S	520508	61 (27.7)
20	575	3	20.5	575	1	1/15	1,050	1,330	1330 (2260)	900 (274.3)	42 (23.3)	45 (13.7)	7 (2.1)	HD3D-2000	NS	520516	60 (27.3)
25	480	3	30.5	480	3	1/3	1,725	2,700	2700 (4587)	1110 (338.3)	31 (17.2)	48 (14.6)	7 (2.1)	HD3D-2500	S	520524	80 (36.4)
25	575	3	25.5	575	3	1/3	1,550	1,800	1800 (3058)	740 (225.6)	42 (23.3)	48 (14.6)	7 (2.1)	HD3D-2500	NS	520532	80 (36.4)
30	480	3	36.5	480	3	1/3	1,725	2,700	2700 (4587)	1110 (338.3)	37 (20.6)	48 (14.6)	7 (2.1)	HD3D-3000	S	520540	80 (36.4)
30	575	3	30.5	575	3	1/3	1,550	1,800	1800 (3058)	740 (225.6)	50 (27.8)	48 (14.6)	7 (2.1)	HD3D-3000	NS	520559	80 (36.4)
35	480	3	42.5	480	3	1/3	1,725	2,700	2700 (4587)	1110 (338.3)	43 (23.9)	48 (14.6)	7 (2.1)	HD3D-3500	NS	520567	80 (36.4)
35	575	3	35.5	575	3	1/3	1,550	1,800	1800 (3058)	740 (225.6)	57 (31.7)	48 (14.6)	7 (2.1)	HD3D-3500	NS	520575	80 (36.4)
39	480	3	47.5	480	3	1/3	1,725	2,700	2700 (4587)	1110 (338.3)	50 (27.8)	48 (14.6)	7 (2.1)	HD3D-4000	S	520583	80 (36.4)
39	575	3	39.5	575	3	1/3	1,550	1,800	1800 (3058)	740 (225.6)	65 (36.1)	48 (14.6)	7 (2.1)	HD3D-4000	NS	520591	80 (36.4)

Stock Status: S = stock NS = non-stock
To Order—Specify model, PCN, kW, volts, phase and quantity.

*HD3D Series heaters with TSP suffix includes thermostat, selector switch and pilot light.

†Models can be field re-wired for use on single phase

**Mounting height if mounted for horizontal airflow. For vertical mounting, minimum height is 10'.