



## GIT Indicating Thermostat for Corrosive Applications

- For Some Corrosive Environment Applications
- 6' Teflon® Covered Sensor and Capillary
- 120/240 Vac
- Single Phase, 20 Amps
- Easy-to-Read Temperature Indication
- Accuracy ± 1% of Adjustable Range
- Pilot Duty Rated



### Description

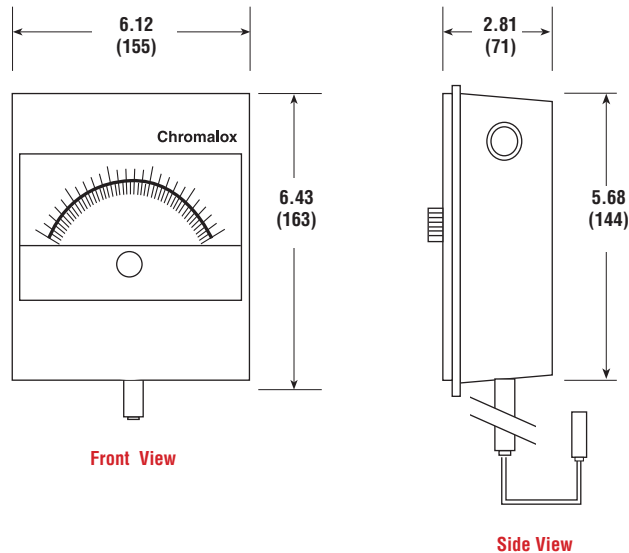
The GIT Indicating Temperature controller provides ON/OFF control of temperature ranges from 0 - 500°F (-18 to +250°C) and indicates temperature and setpoint on a large, easy-to-read analog temperature scale. The GIT is available with a single circuit or dual circuits

for heating and cooling. The Teflon® covered sensor and capillary are protected for use in some harsh, corrosive environments.

The 6 foot, 1/16" diameter copper capillary and 5/16" bulb are covered with a sealed Teflon® Sleeve, approximately 3/8" overall diameter.

### Dimensions

**WARNING: Hazard of Fire.** These devices function as temperature controls only. Because they do not fail-safe, an approved temperature and/or pressure safety control must be used for safe operation.



All Dimensions in Inches (mm)

### Specifications and Ordering Information

Model	PCN	Temperature Range (°F)	Temperature Range (°C)	Volts	Max. Amps	Set Points	Stock
GIT-7LS	360962	0 - 250	-15 to +120	120/240	20	Single	NS
GIT-7HS	360970	50 - 650	10 to 340	120/240	20	Single	NS
GIT-7LD	360989	0 - 250	-15 to +120	120/240	20	Double	NS

Stock Status: S = stock NS = non-stock AS = assembly stock

Note — Longer capillary lengths available.

ELECTROMECHANICAL & THERMOSTATS