

GIT-1 Gutter Ice Sensor

- Reduces Operating Cost
- Reliable Automatic Deicing Control
- Senses Both Moisture and Temperature
- Gutter-Mounted for Accuracy
- Avoids Ice Bridging
- Rugged Housing
- Simple Low Cost Installation
- Field Proven Reliability



Description

An automatic control system for gutters and downspouts, employs one or more GIT-1 Gutter Ice Sensors and either APS-3C or APS-4C Control Panel. Heaters operate only if moisture occurs at temperatures below 38°F (3.3°C), thus saving energy and ensuring reliable ice melting.

Since the GIT-1 mounts in gutters and downspouts it senses actual environmental conditions. This improves sensing accuracy. Solid state moisture and temperature sensors provide the sensitivity required for effective automatic control.

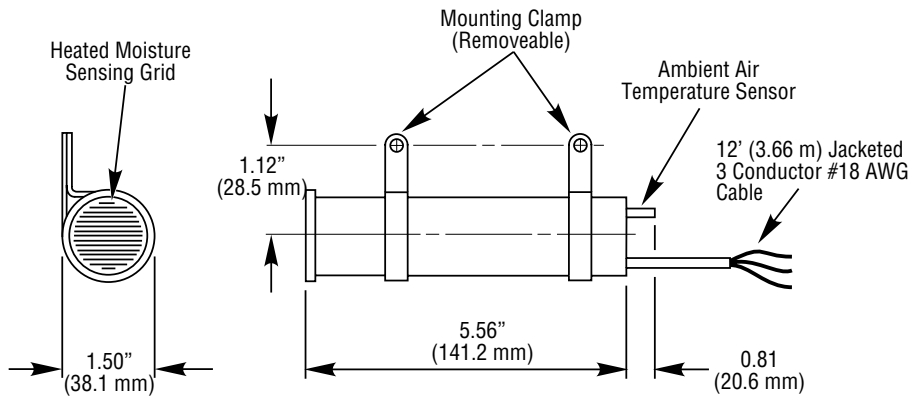
Ice bridging occurs if incomplete melting occurs near the heater or sensor leaving an air space. The air insulates thus preventing effective heater and sensor operation. The GIT-1's unique mi-

crocontroller design frees its moisture sensor from ice bridging. Additional features prevent heater operation under conditions favorable to heater ice tunneling.

Low voltage operation simplifies installation. Sensors can be located up to 2,000' (609.6m) away from the control panel.

For complete information describing its application, installation and features, please contact your local Chromalox Sales office.

Dimensions



Specifications and Ordering Information

| Model Number | PCN | Stock |
|--|--------|-------|
| GIT-1 Gutter Sensor | 389757 | S |
| Stock Status: S = stock AS = assembly stock NS = non-stock To Order— Specify model, PCN and quantity. | | |

The ETI logo is a registered trademark of Environmental Technology, Inc. SIT is a trademark of Environmental Technology, Inc. Copyright 2000, All rights reserved.