

GCHCIS

Small Capacity/Low Flow Gas Applications

- Cartridge Heater Design
- Stainless Steel Pipe Body
- 0.5 - 3 kW
- 120 and 240V, Single Phase
- INCOLOY® Sheath Elements (37 W/In²)
- General Purpose, Moisture Resistant Terminal, Moisture Resistant/Explosion Proof Enclosure
- Internal Overtemperature Protection (type K T/C)
- Process Temperature Sensor in Outlet (type J T/C)

Applications

Gas — Designed to efficiently heat gases, particularly at low-flow rates and relatively high temperatures. (Outlet temperatures to 600°F.)

Features

Terminal Enclosure — Available with E1 General Purpose or E2 Moisture Resistant/Explosion Proof.

Cartridge Heater Element — INCOLOY® sheath and spiral wound baffle for efficient heat transfer.

Vessel — Stainless Steel (304) construction of all wetted parts.

Thermal Insulation — High temperature pipe insulation inside protective outer jacket.

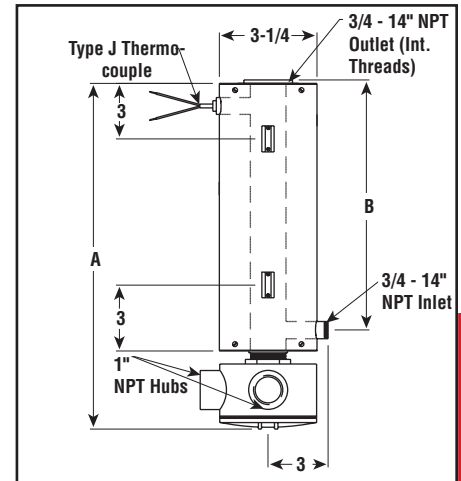
Process Control — Accurate process control using a Type J thermocouple located in the heater outlet.

High Limit Sensor — Integral overtemperature protection using a Type K thermocouple located inside the cartridge heating element sheath.

Installation — Compact rugged design permits easy installation.



Dimensions (Inches)



Heater with E2 Terminal Enclosure.

STEAM, AIR AND GAS

Specifications and Ordering Information

kW	Volts	Ckt & Phase	DIM (In.)		Model	Stock	PCN	Wt. (Lbs.)
			A	B				
1 inch, 304 stainless steel pipe body — 1 INCOLOY® cartridge element (37 W/In²) — E1 terminal enclosure								
0.5	120	1-1	14	8	GCHCIS-01-0P50-E1	NS	024483	3
0.5	240	1-1	14	8	GCHCIS-01-0P50-E1	NS	024491	3
1	120	1-1	20	14	GCHCIS-01-001P-E1	NS	024504	3
1	240	1-1	20	14	GCHCIS-01-001P-E1	NS	024512	3
2	120	1-1	32	26	GCHCIS-01-002P-E1	NS	024520	4
2	240	1-1	32	26	GCHCIS-01-002P-E1	NS	024539	4
3	240	1-1	44	38	GCHCIS-01-003P-E1	NS	024547	4

Stock Status: S = stock NS = non-stock

To Order—Specify model, volts, phase, kW, PCN and quantity.
 1. Order Electronic Controls separately for remote mounting. Consult Controls section for details.
 2. Special voltage and wattage ratings available. Contact your Local Chromalox Sales office.

Ordering Information

To Order — Complete the Model Number using the Matrix provided.

Model	Small Capacity/Low Flow Gas			
GCH	Gas Circulation Heater			
C	Cartridge Element			
IS	INCOLOY® Sheath — Stainless Steel Vessel			
Code	Number of Elements			
01	One			
Code	Watts			
0P50	500	002P	2,000	
001P	1,000	003P	3,000	
Code	Terminal Enclosure			
E1	General Purpose			
E2	Moisture Resistant/Explosion Resistant			
GCHCIS	01	0P50	E1	Typical Model Number