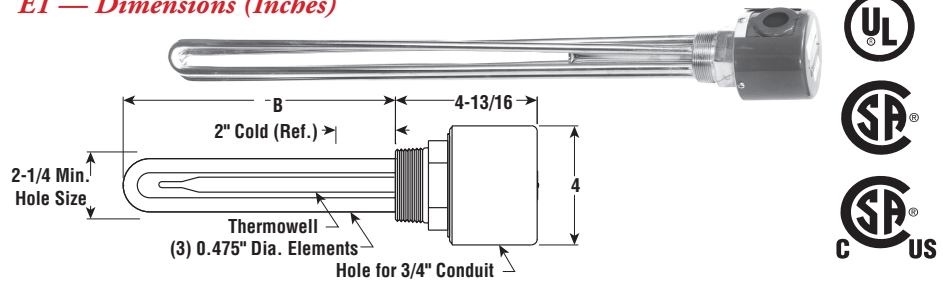


# Immersion

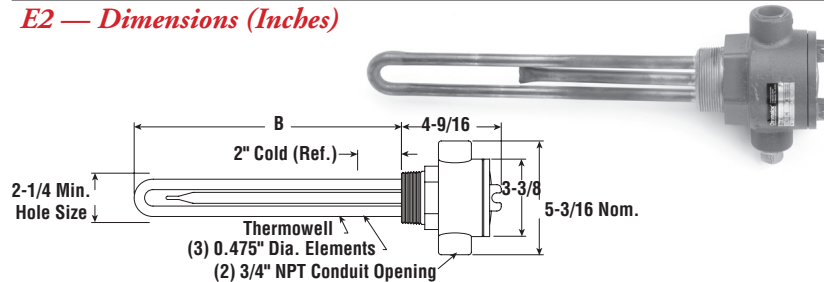
## EMTS-3 Process Water Applications

- 2" NPT Stainless Steel Passivated Screw Plug
- Stainless Steel Passivated Sheath Elements
- High Watt Density (38 - 47 W/in<sup>2</sup>)
- 3 - 18 kW
- Without Thermostat
- 208, 240 and 480 Volt, 1 and 3 Phase
- General Purpose, Moisture Resistant/Explosion Resistant Terminal Enclosure or Moisture Resistant

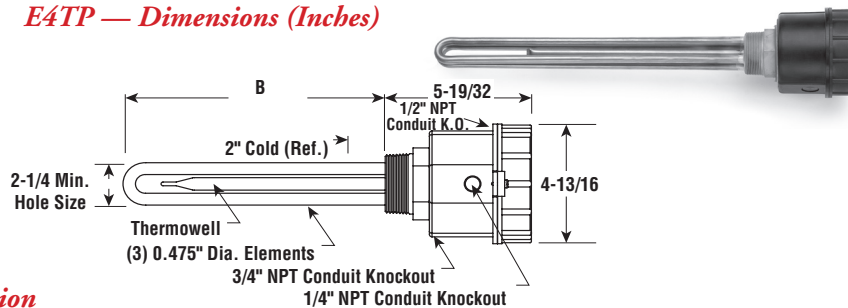
E1 — Dimensions (Inches)



E2 — Dimensions (Inches)



E4TP — Dimensions (Inches)



### Specifications and Ordering Information

						E1 General Purpose <sup>1</sup>				E2 Moisture Resistant/ Explosion Resistant <sup>2</sup>				E4 Moisture Resistant			
kW	Volts	Phase	W/in <sup>2</sup>	No. Elem.	DIM B (In.)	Model	Stock	PCN	Wt. (Lbs.)	Model	Stock	PCN	Wt. (Lbs.)	Model	Stock	PCN	Wt. (Lbs.)
3	208	3	47	3	7-3/4	EMTS-330	NS	092021	5	EMTS-330E2	NS	092080	8	EMTS-330E4TP	NS	061794	5
3	240	1	47	3	7-3/4	EMTS-330	NS	092030	5	EMTS-330E2	NS	092099	8	EMTS-330E4TP	NS	061807	5
3	240	3	47	3	7-3/4	EMTS-330	NS	092048	5	EMTS-330E2	NS	092101	8	EMTS-330E4TP	NS	061815	5
3	480	1	47	3	7-3/4	EMTS-330	NS	092056	5	EMTS-330E2	NS	092110	8	EMTS-330E4TP	NS	061823	5
3	480	3	47	3	7-3/4	<b>EMTS-330</b>	<b>S</b>	<b>092064</b>	5	EMTS-330E2	NS	092128	8	EMTS-330E4TP	NS	061831	5
4.5	208	1	44	3	11-3/4	EMTS-345	NS	092136	6	EMTS-345E2	NS	092195	9	EMTS-345E4TP	NS	061840	6
4.5	208	3	44	3	11-3/4	EMTS-345	NS	092144	6	EMTS-345E2	NS	092208	9	EMTS-345E4TP	NS	061858	6
4.5	240	1	44	3	11-3/4	EMTS-345	NS	092152	6	EMTS-345E2	NS	092216	9	EMTS-345E4TP	NS	061866	6
4.5	240	3	44	3	11-3/4	EMTS-345	NS	092160	6	EMTS-345E2	NS	092224	9	EMTS-345E4TP	NS	061874	6
4.5	480	1	44	3	11-3/4	EMTS-345	NS	092179	6	EMTS-345E2	NS	092232	9	EMTS-345E4TP	NS	061882	6
4.5	480	3	44	3	11-3/4	EMTS-345	NS	092187	6	EMTS-345E2	NS	092240	9	EMTS-345E4TP	NS	061890	6
6	208	3	38	3	17-3/4	EMTS-360	NS	092267	6	EMTS-360E2	NS	092320	9	EMTS-360E4TP	NS	061911	6
6	240	1	38	3	17-3/4	EMTS-360	NS	092275	6	EMTS-360E2	NS	092339	9	EMTS-360E4TP	NS	061920	6
6	240	3	38	3	17-3/4	EMTS-360	NS	092283	6	EMTS-360E2	NS	092347	9	EMTS-360E4TP	NS	061938	6
6	480	1	38	3	17-3/4	EMTS-360	NS	092291	6	EMTS-360E2	NS	092355	9	EMTS-360E4TP	NS	061946	6
6	480	3	38	3	17-3/4	<b>EMTS-360</b>	<b>S</b>	<b>092304</b>	6	EMTS-360E2	NS	092363	9	EMTS-360E4TP	NS	061954	6
7.5	208	1	43	3	19-1/2	EMTS-375	NS	092371	6	EMTS-375E2	NS	092435	9	EMTS-375E4TP	NS	061962	6
7.5	208	3	43	3	19-1/2	EMTS-375	NS	092380	6	EMTS-375E2	NS	092443	9	EMTS-375E4TP	NS	061970	6
7.5	240	1	43	3	19-1/2	EMTS-375	NS	092398	6	EMTS-375E2	NS	092451	9	EMTS-375E4TP	NS	061989	6
7.5	240	3	43	3	19-1/2	EMTS-375	NS	092400	6	EMTS-375E2	NS	092460	9	EMTS-375E4TP	NS	061997	6
7.5	480	1	43	3	19-1/2	EMTS-375	NS	092419	6	EMTS-375E2	NS	092478	9	EMTS-375E4TP	NS	062009	6
7.5	480	3	43	3	19-1/2	EMTS-375	NS	092427	6	EMTS-375E2	NS	092486	9	EMTS-375E4TP	NS	062017	6
9	208	1	40	3	24-7/8	EMTS-390	NS	092494	7	EMTS-390E2	NS	092558	10	EMTS-390E4TP	NS	062025	7
9	208	3	40	3	24-7/8	EMTS-390	NS	092507	7	EMTS-390E2	NS	092566	10	EMTS-390E4TP	NS	062033	7
9	240	1	40	3	24-7/8	EMTS-390	NS	092515	7	EMTS-390E2	NS	092574	10	EMTS-390E4TP	NS	062041	7
9	240	3	40	3	24-7/8	<b>EMTS-390</b>	<b>S</b>	<b>092523</b>	7	EMTS-390E2	NS	092582	10	EMTS-390E4TP	NS	062050	7
9	480	1	40	3	24-7/8	EMTS-390	NS	092531	7	EMTS-390E2	NS	092590	10	EMTS-390E4TP	NS	062068	7
9	480	3	40	3	24-7/8	<b>EMTS-390</b>	<b>S</b>	<b>092540</b>	7	EMTS-390E2	NS	092603	10	EMTS-390E4TP	NS	062076	7

**Stock Status:** S = stock NS = non-stock  
**To Order**—Specify model, volts, phase, kW, PCN and quantity.

1. Heaters with General Purpose Enclosures are UL Listed & CSA Certified except Models with \*(Exceeds 48 Amps).
2. Heaters with Moisture Resistant/Explosion Resistant Enclosures are <sub>C</sub>CSA<sub>US</sub>® Certified except Models with \*(Exceeds 48 Amps).

**FASTShip**

Same-day shipping on stock item orders received before 4 pm CST.  
 3-day shipping on assembly-stock items.

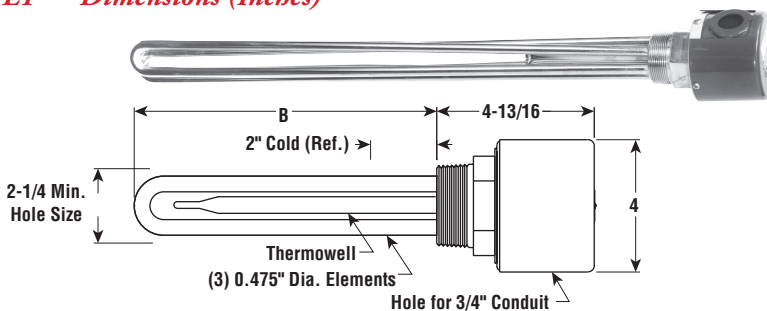
# Immersion

## EMTS-3

### Process Water Applications (cont'd.)

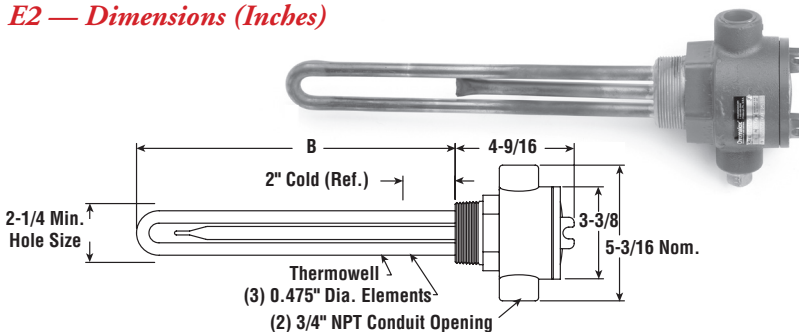
- 2" NPT Stainless Steel Passivated Screw Plug
- Stainless Steel Passivated Sheath Elements
- High Watt Density (38 - 47 W/In<sup>2</sup>)
- 3 - 18 kW
- Without Thermostat
- 208, 240 and 480 Volt, 1 and 3 Phase
- General Purpose, Moisture Resistant/Explosion Resistant Terminal Enclosure or Moisture Resistant

E1 — Dimensions (Inches)

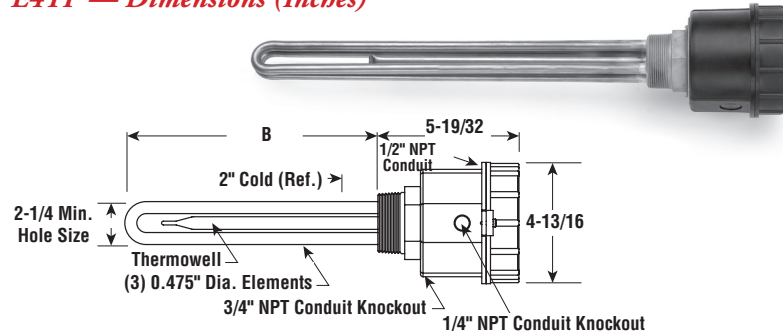


SCREW PLUG

E2 — Dimensions (Inches)



E4TP — Dimensions (Inches)



### Specifications and Ordering Information

						E1 General Purpose <sup>1</sup>				E2 Moisture Resistant/Explosion Resistant <sup>2</sup>				E4 Moisture Resistant			
kW	Volts	Phase	W/In <sup>2</sup>	No. Elem.	DIM B (In.)	Model	Stock	PCN	Wt. (Lbs.)	Model	Stock	PCN	Wt. (Lbs.)	Model	Stock	PCN	Wt. (Lbs.)
12	208	1	40	3	32-7/16	EMTS-3120*	NS	092611	9	EMTS-3120E2*	NS	092670	12	EMTS-3120E4TP*	NS	061612	9
12	208	3	40	3	32-7/16	EMTS-3120	NS	092620	9	EMTS-3120E2	NS	092689	12	EMTS-3120E4TP	NS	061620	9
12	240	1	40	3	32-7/16	EMTS-3120*	NS	092638	9	EMTS-3120E2*	NS	092697	12	EMTS-3120E4TP*	NS	061639	9
12	240	3	40	3	32-7/16	<b>EMTS-3120</b>	<b>S</b>	<b>092646</b>	9	EMTS-3120E2	NS	092700	12	EMTS-3120E4TP	NS	061647	9
12	480	1	40	3	32-7/16	EMTS-3120	NS	092654	9	EMTS-3120E2	NS	092718	12	EMTS-3120E4TP	NS	061655	9
12	480	3	40	3	32-7/16	EMTS-3120	NS	092662	9	EMTS-3120E2	NS	092726	12	EMTS-3120E4TP	NS	061663	9
15	208	1	41	3	40-3/8	EMTS-3150*	NS	092734	10	EMTS-3150E2*	NS	092793	13	EMTS-3150E4TP*	NS	061671	10
15	208	3	41	3	40-3/8	EMTS-3150	NS	092742	10	EMTS-3150E2	NS	092806	13	EMTS-3150E4TP	NS	061680	10
15	240	1	41	3	40-3/8	EMTS-3150*	NS	092750	10	EMTS-3150E2*	NS	092814	13	EMTS-3150E4TP*	NS	061398	10
15	240	3	41	3	40-3/8	<b>EMTS-3150</b>	<b>S</b>	<b>092769</b>	10	EMTS-3150E2	NS	092822	13	EMTS-3150E4TP	NS	061700	10
15	480	1	41	3	40-3/8	EMTS-3150	NS	092777	10	EMTS-3150E2	NS	092830	13	EMTS-3150E4TP	NS	061719	10
15	480	3	41	3	40-3/8	<b>EMTS-3150</b>	<b>S</b>	<b>092785</b>	10	EMTS-3150E2	NS	092849	13	EMTS-3150E4TP	NS	061727	10
18	208	1	41	3	47-7/8	EMTS-3180*	NS	092857	12	EMTS-3180E2*	NS	092910	15	EMTS-3180E4TP*	NS	061735	12
18	208	3	41	3	47-7/8	EMTS-3180*	NS	092865	12	EMTS-3180E2*	NS	092929	15	EMTS-3180E4TP*	NS	061743	12
18	240	1	41	3	47-7/8	EMTS-3180*	NS	092873	12	EMTS-3180E2*	NS	092937	15	EMTS-3180E4TP*	NS	061751	12
18	240	3	41	3	47-7/8	EMTS-3180	NS	092881	12	EMTS-3180E2	NS	092945	15	EMTS-3180E4TP	NS	061760	12
18	480	1	41	3	47-7/8	EMTS-3180	NS	092890	12	EMTS-3180E2	NS	092953	15	EMTS-3180E4TP	NS	061778	12
18	480	3	41	3	47-7/8	<b>EMTS-3180</b>	<b>S</b>	<b>092902</b>	12	EMTS-3180E2	NS	092961	15	EMTS-3180E4TP	NS	061786	12

Stock Status: S = stock NS = non-stock  
To Order—Specify model, volts, phase, kW, PCN and quantity.

1. Heaters with General Purpose Enclosures are UL Listed and CSA Certified except Models with \*(Exceeds 48 Amps).
2. Heaters with Moisture Resistant/Explosion Resistant Enclosures are CSA<sup>US</sup> Certified except Models with \*(Exceeds 48 Amps).



Same-day shipping on stock item orders received before 4 pm CST.  
3-day shipping on assembly-stock items.