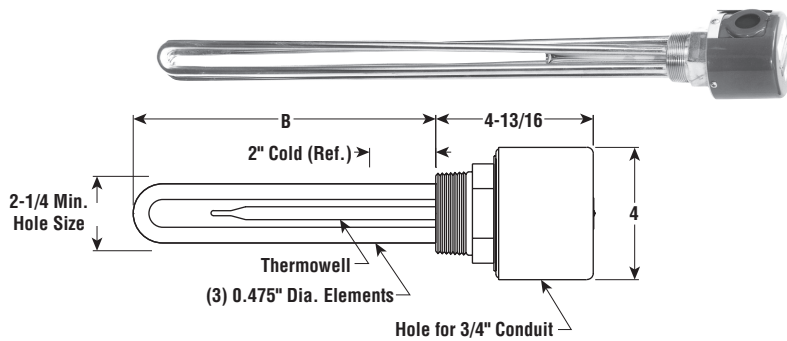


Immersion

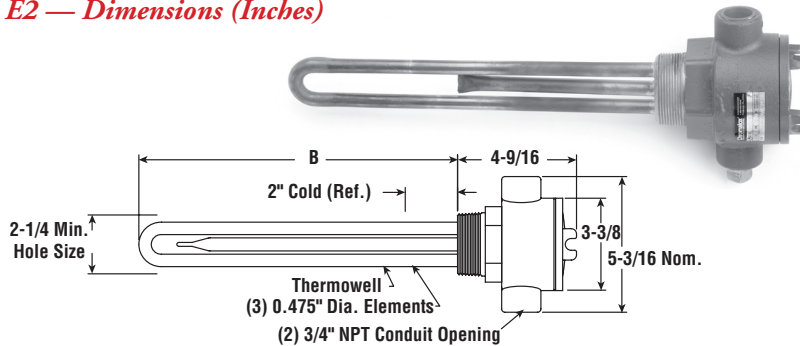
EMTO-3 Light Weight Oil Applications

- 2" NPT Steel Screw Plug
- Steel Sheath Elements
- 23 W/In²
- 3 - 9 kW
- Without Thermostat
- 240 and 480 Volt, Three Phase
- General Purpose, Moisture Resistant/Explosion Resistant Terminal Enclosure or Misture Resistant

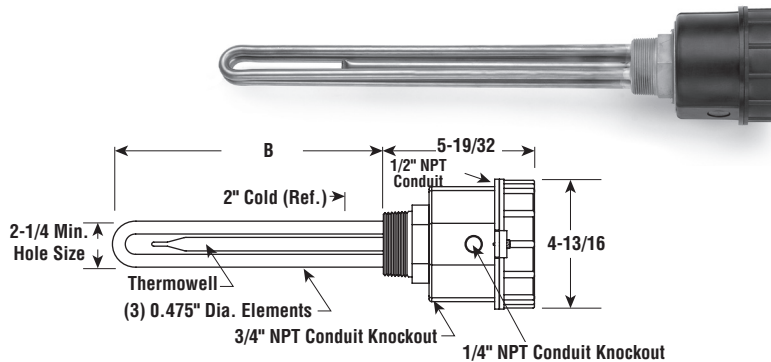
E1 — Dimensions (Inches)



E2 — Dimensions (Inches)



E4TP — Dimensions (Inches)



Specifications and Ordering Information

						E1 General Purpose ¹				E2 Moisture Resistant/ Explosion Resistant ²				E4 Moisture Resistant			
kW	Volts	Phase	W/In ²	No. Elem.	DIM B (In.)	Model	Stock	PCN	Wt. (Lbs.)	Model	Stock	PCN	Wt. (Lbs.)	Model	Stock	PCN	Wt. (Lbs.)
3	240	3	23	3	17-3/4	EMTO-330	NS	099266	6	EMTO-330E2	NS	034753	9	EMTO-330E4TP	NS	061292	12
3	480	3	23	3	17-3/4	EMTO-330	NS	099274	6	EMTO-330E2	NS	034761	9	EMTO-330E4TP	NS	061305	12
4.5	240	3	23	3	24-7/8	EMTO-345	NS	099282	7	EMTO-345E2	NS	034770	10	EMTO-345E4TP	NS	061313	13
4.5	480	3	23	3	24-7/8	EMTO-345	NS	099290	7	EMTO-345E2	NS	034788	10	EMTO-345E4TP	NS	061321	13
6	240	3	23	3	32-7/16	EMTO-360	NS	099303	9	EMTO-360E2	NS	034796	12	EMTO-360E4TP	NS	061330	15
6	480	3	23	3	32-7/16	EMTO-360	NS	099311	9	EMTO-360E2	NS	034809	12	EMTO-360E4TP	NS	061348	15
7.5	240	3	23	3	40-3/8	EMTO-375	NS	099320	10	EMTO-375E2	NS	034817	13	EMTO-375E4TP	NS	061356	16
7.5	480	3	23	3	40-3/8	EMTO-375	NS	099338	10	EMTO-375E2	NS	034825	13	EMTO-375E4TP	NS	061364	16
9	240	3	23	3	47-7/8	EMTO-390	NS	099346	12	EMTO-390E2	NS	034833	15	EMTO-390E4TP	NS	061372	18
9	480	3	23	3	47-7/8	EMTO-390	NS	099354	12	EMTO-390E2	NS	034841	15	EMTO-390E4TP	NS	061380	18

Stock Status: S = stock NS = non-stock
To Order—Specify model, volts, phase, kW, PCN and quantity.

FASTShip

Same-day shipping on stock item orders received before 4 pm CST. 3-day shipping on assembly-stock items.